

5

4

3

2

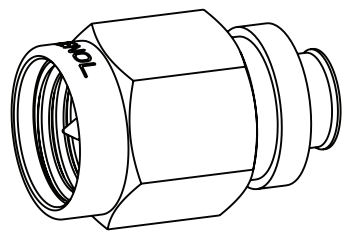
1

NOTES:

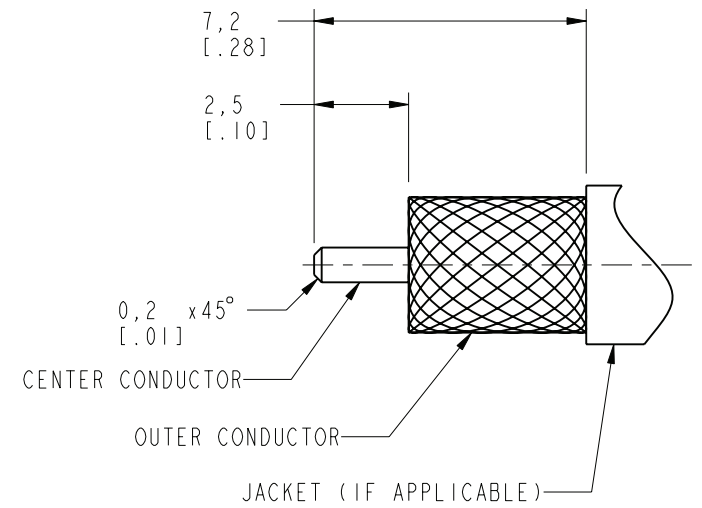
- 1. MATERIALS AND FINISHES:  
 BODY - BRASS, GOLD PLATING  
 CONTACT - BeCu, GOLD PLATING  
 INSULATOR - PTFE, NATURAL  
 GASKET - SILICONE RUBBER, RED  
 RETAINING RING - STAINLESS STEEL, NATURAL  
 COUPLING NUT - STAINLESS STEEL, PASSIVATED
- 2. ELECTRICAL:  
 A. IMPEDANCE: 50 OHM  
 B. FREQUENCY RANGE: DC - 34 GHz  
 C. VSWR (RETURN LOSS): 1.05 + 0.007f (GHz), MAX.  
 D. DIELECTRIC WITHSTANDING VOLTAGE: 1000 VRMS, MIN.
- 3. MECHANICAL:  
 A. DURABILITY: 500 CYCLES MIN.  
 B. TEMPERATURE RANGE: -65°C TO +165°C

- 4. PACKAGING:  
 A. QUANTITY: SINGLE PACK  
 B. MARKING: BAG TO BE MARKED  
 "AMPHENOL RF, 901-10707 & DATE CODE"
  - 5. CABLE ASSEMBLY INSTRUCTIONS:  
 A. TRIM CABLE AS SHOWN.  
 B. INSERT CABLE CENTER CONDUCTOR INTO CONNECTOR  
 AND SOLDER BODY TO THE OUTER CONDUCTOR.
- 6 ▷ SHOWS CABLE ENTRY DIMENSIONS.

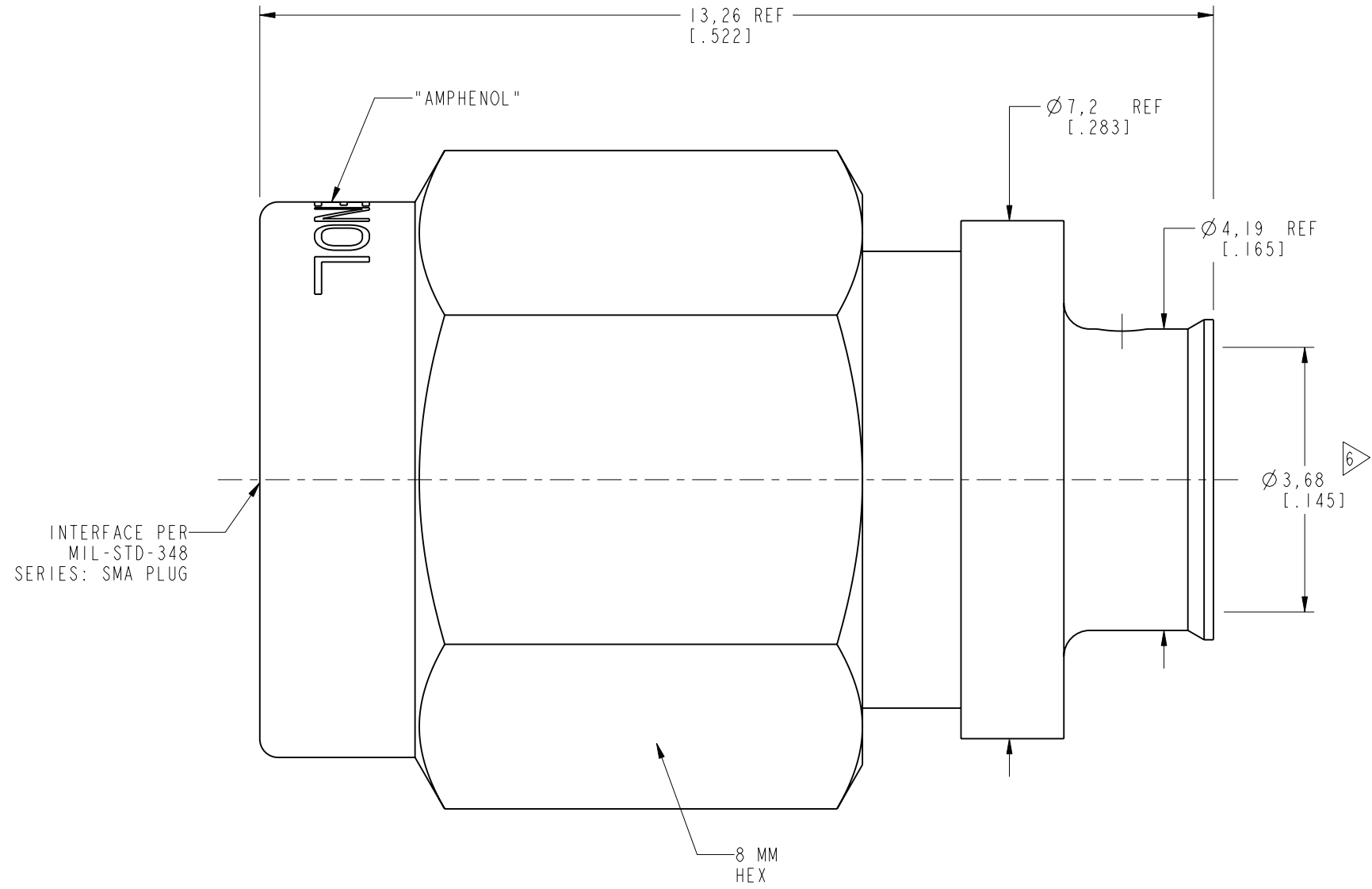
| REVISIONS |                          |           |       |         |
|-----------|--------------------------|-----------|-------|---------|
| REV       | DESCRIPTION              | DATE      | ECN   | APPR    |
| A         | RELEASE TO MANUFACTURING | 11-Jun-20 | 15198 | S.HSIEH |



SCALE 3.000



**RECOMMENDED CABLE STRIPPING DIMENSIONS**



**CUSTOMER OUTLINE DRAWING**  
 ALL OTHER SHEETS ARE FOR INTERNAL USE ONLY

NOTICE: These drawings, specifications, or other data (1) are, and remain the property of Amphenol corp. (2) must be returned upon request; and (3) are confidential and not to be disclosed to any person other than those to whom they are given by Amphenol Corp. The furnishing of these drawings, specifications, or other data by Amphenol Corp., or to any other person to anyone for any purpose is not to be regarded by implication or otherwise in any manner licensing, granting rights to permitting such holder or any other person to manufacture, use or sell any product, process or design, patented or otherwise, that may in any way be related to or disclosed by said drawings, specifications, or other data.

THIRD ANGLE PROJ.

REFERENCE: 132379      EAR#: 9524

UNLESS OTHERWISE SPECIFIED DIMENSIONS ARE METRIC (INCHES) AND TOLERANCES ARE:

|                         |                           |
|-------------------------|---------------------------|
| <0.5mm = ±0.05mm        | [<0.020 = ±0.002]         |
| >0.5 - 6mm = ±0.1mm     | [>0.020 - 0.236 = ±0.004] |
| >6.00 - 30mm = ±0.2mm   | [>0.236 - 1.181 = ±0.008] |
| >30.00 - 120mm = ±0.3mm | [>1.181 - 4.725 = ±0.012] |

ANGLES = ±1°

MATERIAL: SEE NOTES

ENGINEER: E.W.U      DATE: 05-Jun-20

TITLE: SMA STR PLUG FOR 0.141" SEMI-RIGID & CONFORMABLE

SHEET NO. 2 OF 2      SCALE: 12.0:1.0

|         |  |                       |  |        |
|---------|--|-----------------------|--|--------|
| SIZE: B |  | DRAWING NO. 901-10707 |  | REV: A |
|         |  | ITEM NO. 901-10707    |  |        |
|         |  | PART NO. 901-10707    |  |        |

5

4

3

2

1