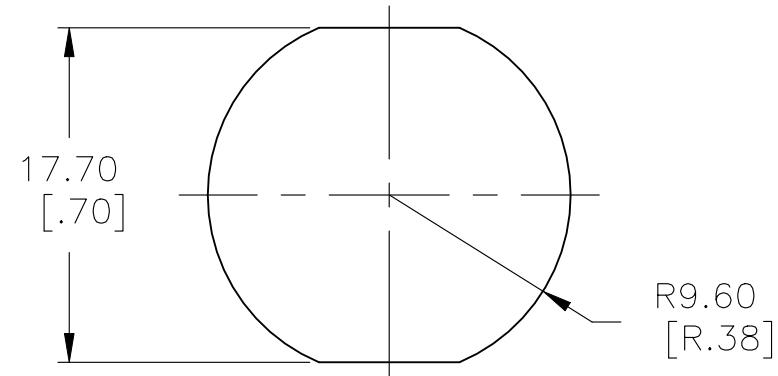
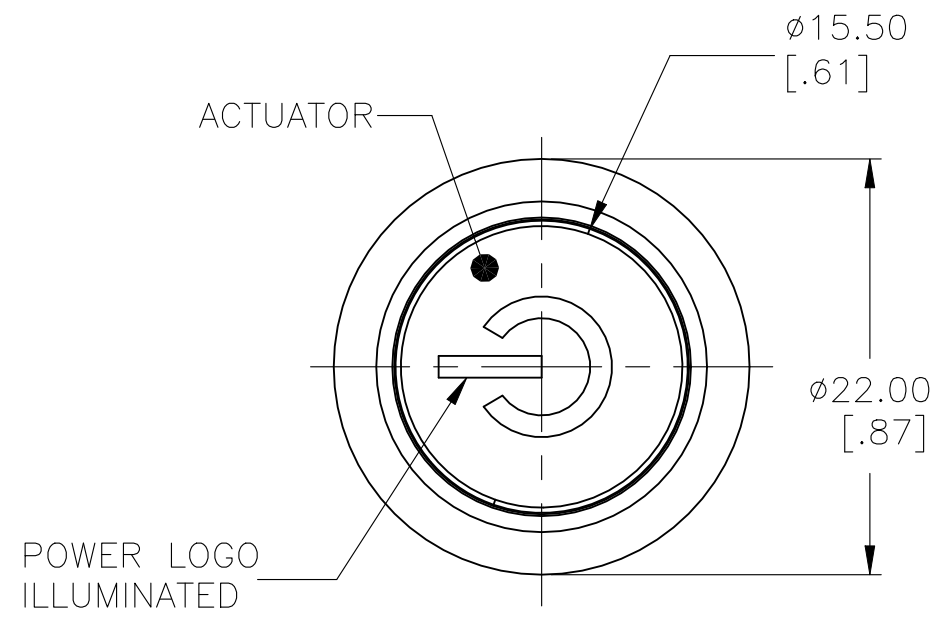


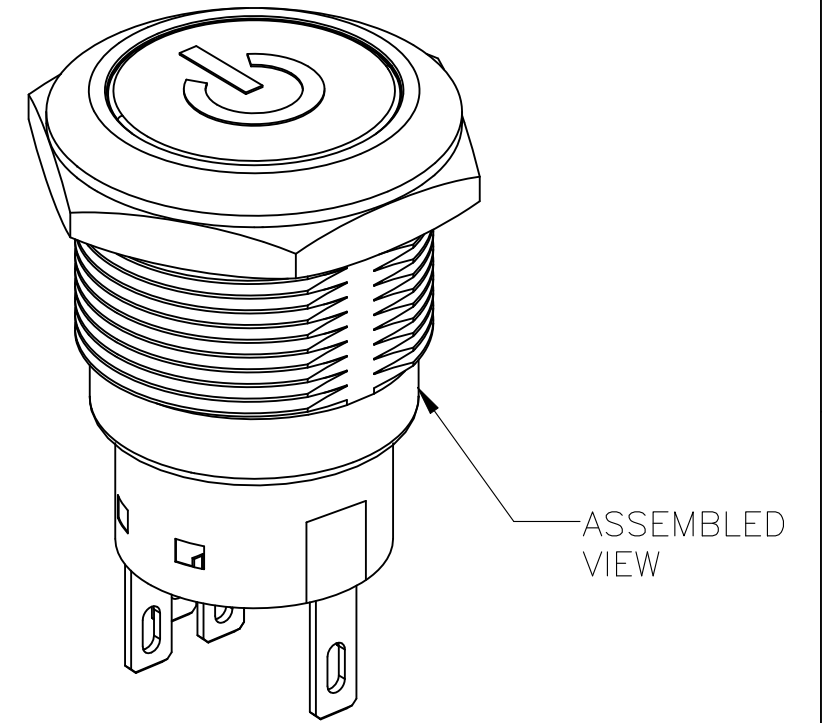
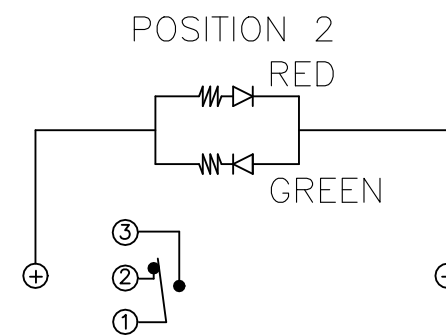
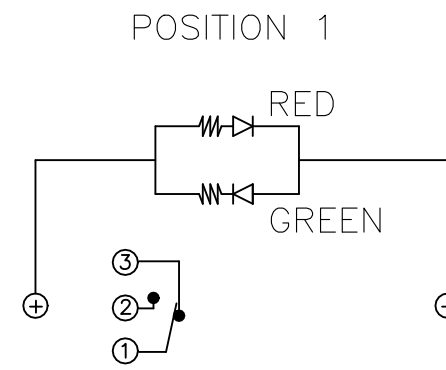
THIS DRAWING IS UNPUBLISHED. RELEASED FOR PUBLICATION  
 © COPYRIGHT - By - ALL RIGHTS RESERVED.

REVISIONS					
P	LTR	DESCRIPTION	DATE	DWN	APVD
A1		ECO-21-006709	18JUN2021	RK	AS

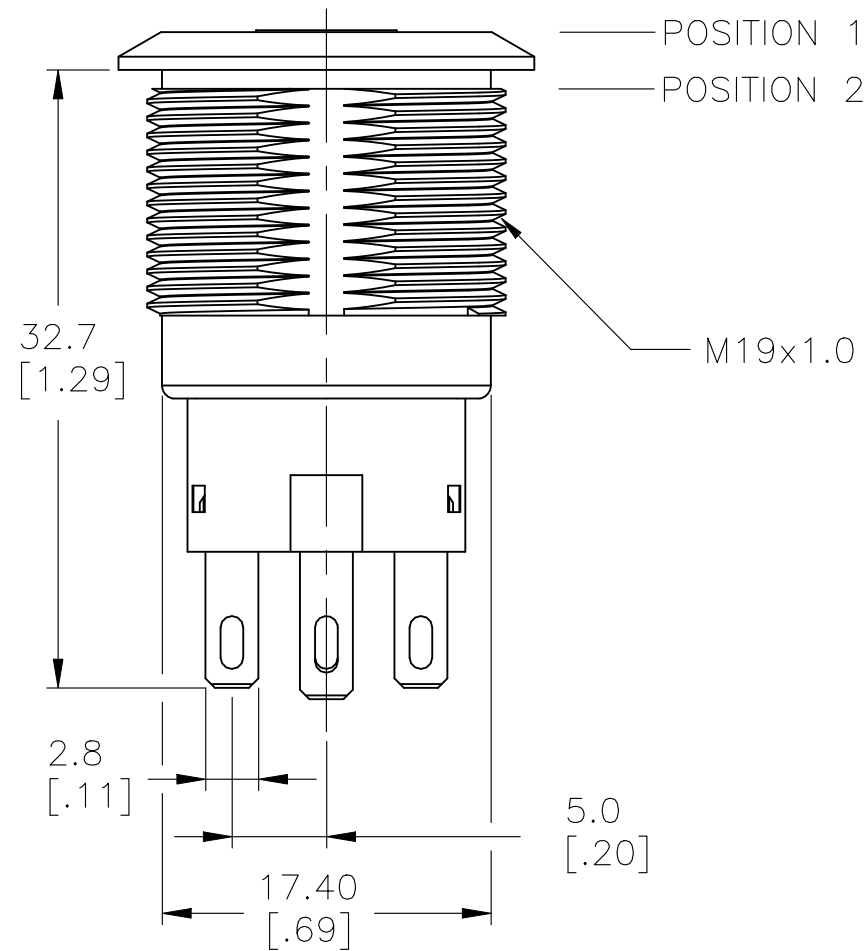
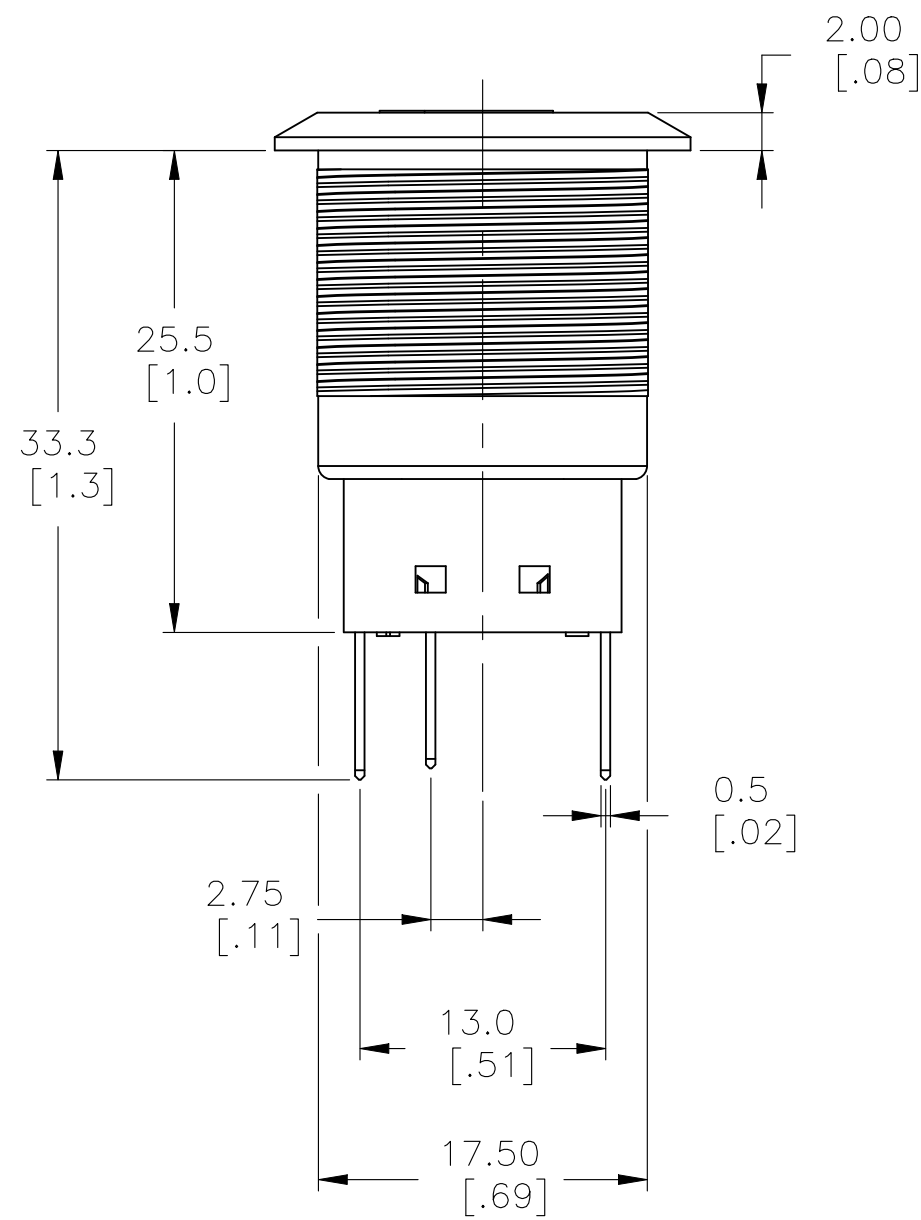
### SINGLE POLE SWITCH WITH DUAL COLOR LED's



PANEL CUTOUT  
 MAX.PANEL THICKNESS: 10.00[.394]

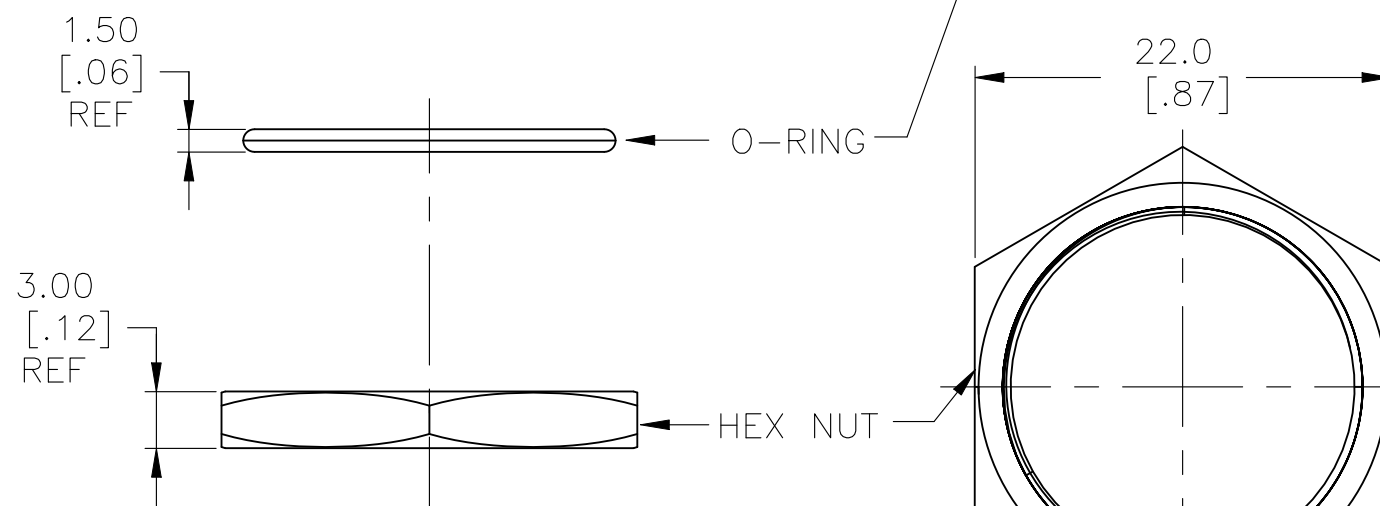
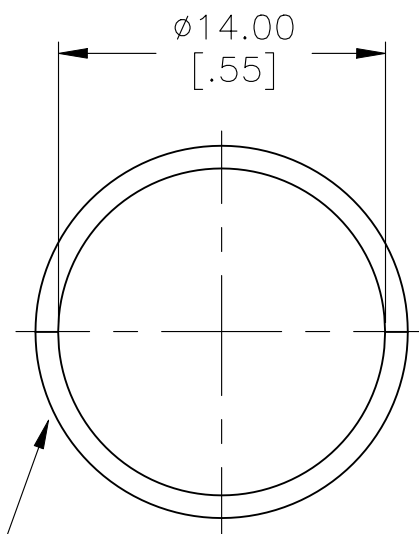


ASSEMBLED VIEW



POSITION 1  
 POSITION 2

M19x1.0



EXPLODED VIEW

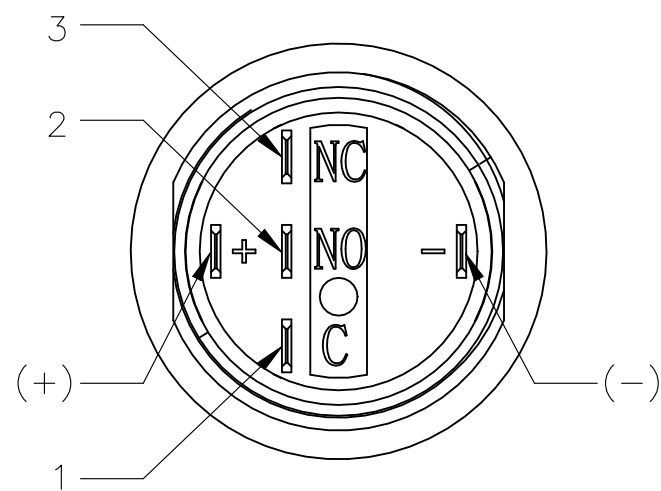
**SPECIFICATION:**

CONTACT RATING: SILVER; 3A @ 250VAC RESISTIVE  
 GOLD; 0.4A @ 20VDC OR PEAK AC  
 INSULATION RESISTANCE: 1,000MΩ MIN AT 500VDC  
 DIELECTRIC STRENGTH: 2,000V RMS @ SEA LEVEL  
 CONTACT RESISTANCE: 50mΩ MAX @ 1A 12VDC (INITIAL VALUE), SOLDER TERMINALS  
 100mΩ MAX @ 1A 12VDC (INITIAL VALUES), FLYING LEADS.  
 ELECTRICAL LIFE CYCLES: 50,000 MAKE AND BREAK CYCLES AT FULL LOAD.  
 ACTUATION FORCE: SP: 2.5±1 N, DP: 3.5±1 N  
 ACTUATION TRAVEL: APPROXIMATELY 3.2mm  
 SEALED PER IP67, IK10  
 OPERATING TEMPERATURE: -20°C TO +55°C  
 MECHANICAL LIFECYCLES: MOMENTARY; 1,000,000 CYCLES  
 LOCKING; 500,000 CYCLES  
 HARDWARE TORQUE: 5-14 N-m.

**MATERIALS**

BUSHING: STAINLESS STEEL,  
 BASE: PBT (UL 94-V0), PC (UL 94-V2),  
 ACTUATOR: STAINLESS STEEL, PC  
 O-RING: SILICONE,  
 TERMINAL/CONTACT: COPPER BASE, SILVER/GOLD PLATED,  
 HEX NUT: BRASS BASE, NICKEL PLATED,  
 WIRE:UL3385.  
 INNER ASSEMBLY: POM/PA66  
 SPRING: SPRING STEEL  
 SEALING: SILICONE

1. ALL MATERIAL AND FINISHES SHALL COMPLY WITH EU DIRECTIVE 2002/95/EC OF 27JAN2003(ROHS).



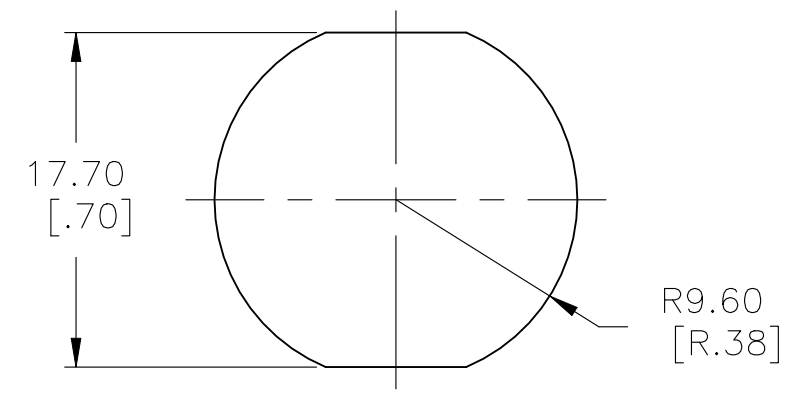
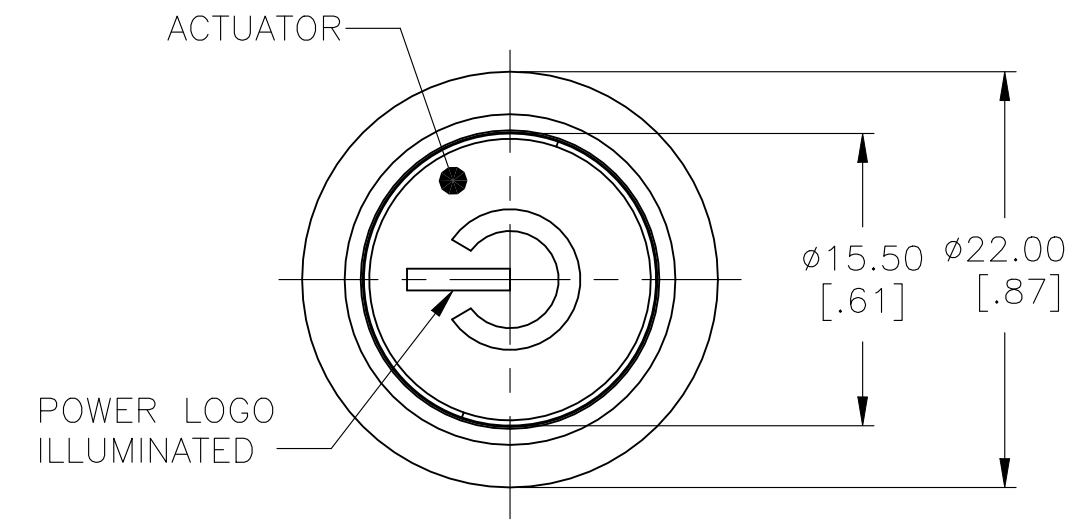
THIS DRAWING IS A CONTROLLED DOCUMENT.		DWN	15FEB2017	 TE Connectivity	NAME ANTI-VANDAL SWITCH 19mm SOLDER TERMINAL FLYING LEADS, POWER LOGO DUAL COLOR LED
DIMENSIONS:		CHK	15FEB2017		
mm [INCHES]		APVD	15FEB2017		
TOLERANCES UNLESS OTHERWISE SPECIFIED:		PRODUCT SPEC			
0 PLC	± -	APPLICATION SPEC		SIZE	RESTRICTED TO
1 PLC	± 0.4[.016]	WEIGHT	-	A2	-
2 PLC	± 0.25[.010]	CUSTOMER DRAWING		CAGE CODE	00779
3 PLC	± -	SCALE	1:1	DRAWING NO	C=2316366
4 PLC	± -	SCALE	1:1	SHEET	1 of 5
ANGLES	± 2°	SCALE	1:1	REV	A1
FINISH	-	SCALE	1:1		

2316366

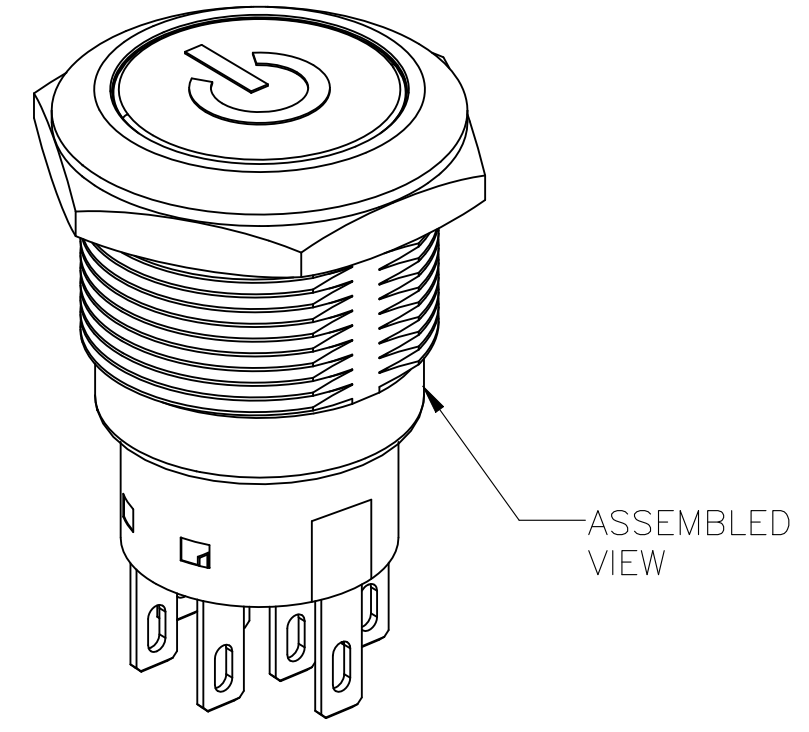
THIS DRAWING IS UNPUBLISHED. RELEASED FOR PUBLICATION  
 © COPYRIGHT - By - ALL RIGHTS RESERVED.

REVISIONS					
P	LTR	DESCRIPTION	DATE	DWN	APVD
-	-	SEE SHEET 1	-	-	-

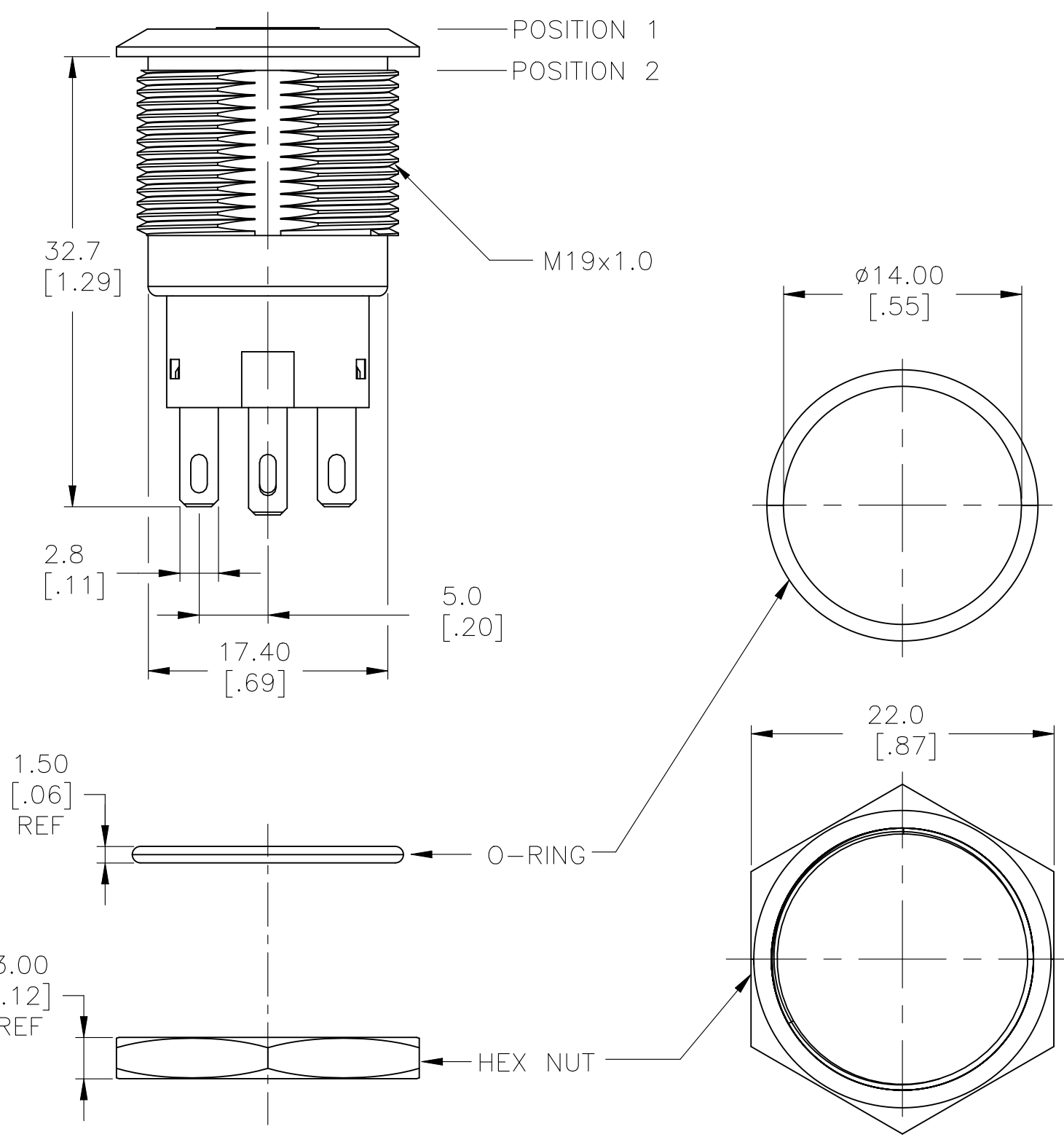
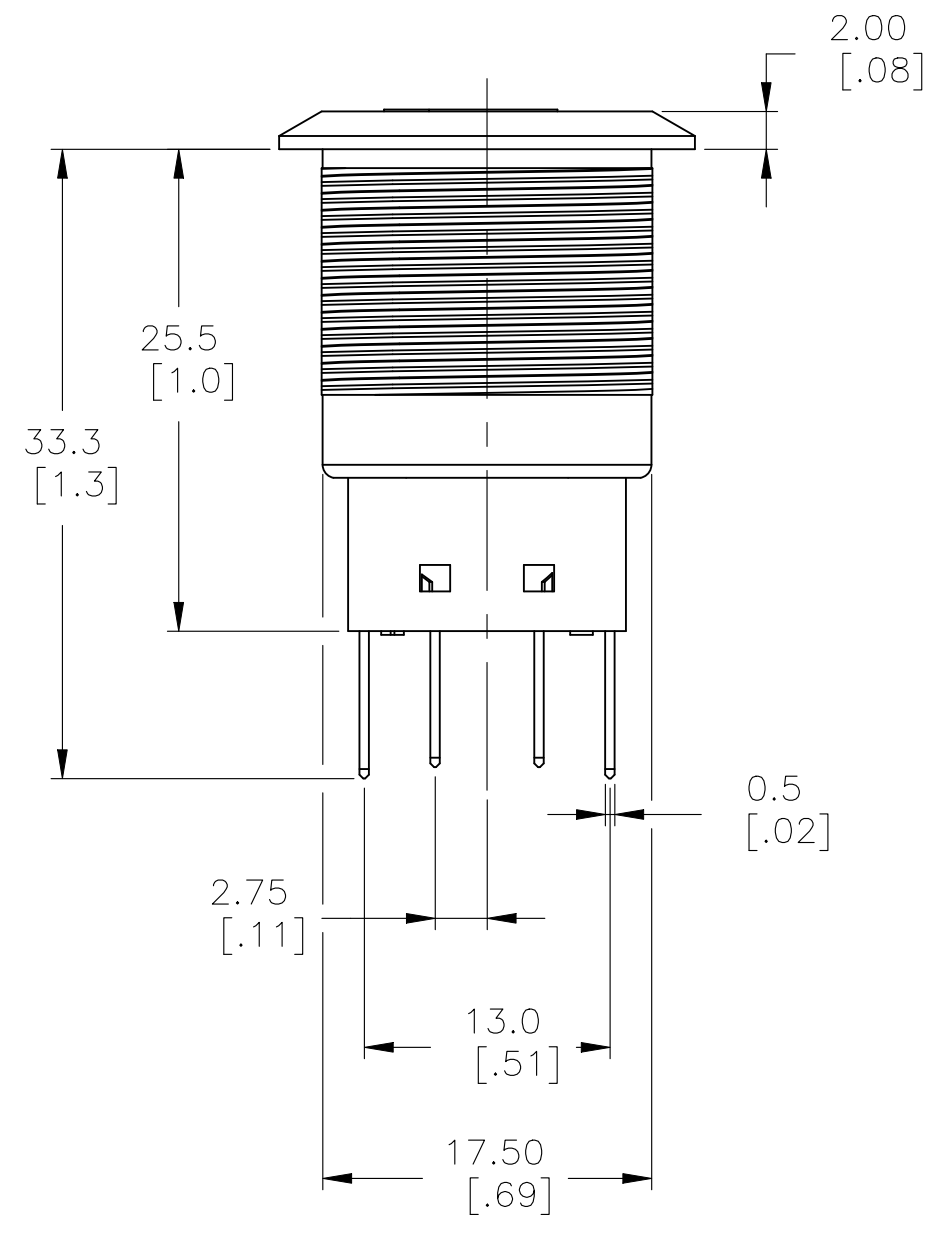
# DOUBLE POLE SWITCH WITH DUAL COLOR LED's



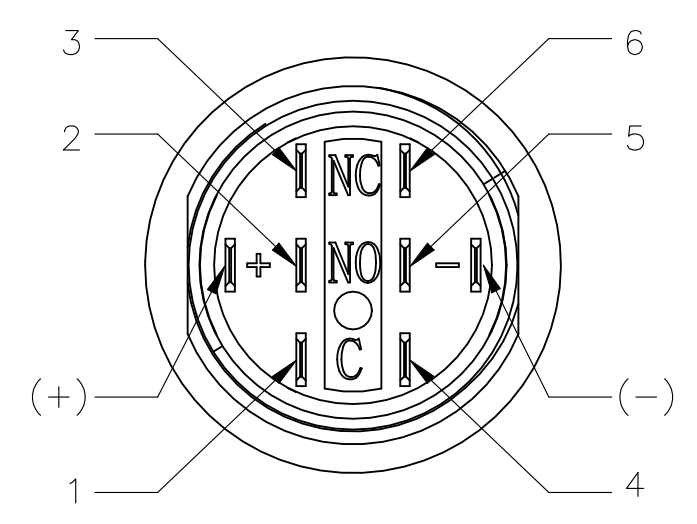
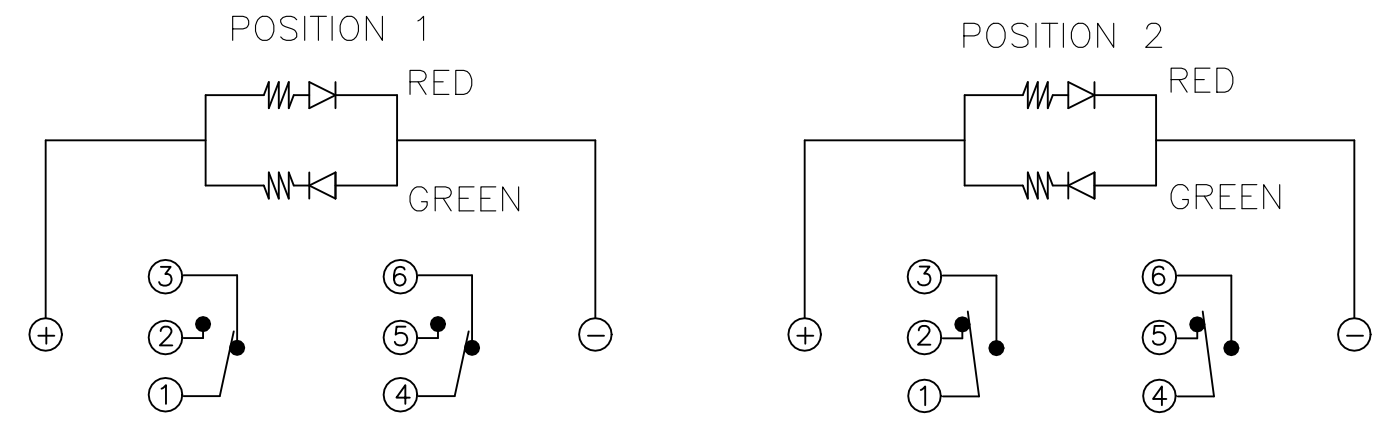
PANEL CUTOUT  
 MAX.PANEL THICKNESS: 10.00[.394]



ASSEMBLED VIEW



EXPLODED VIEW

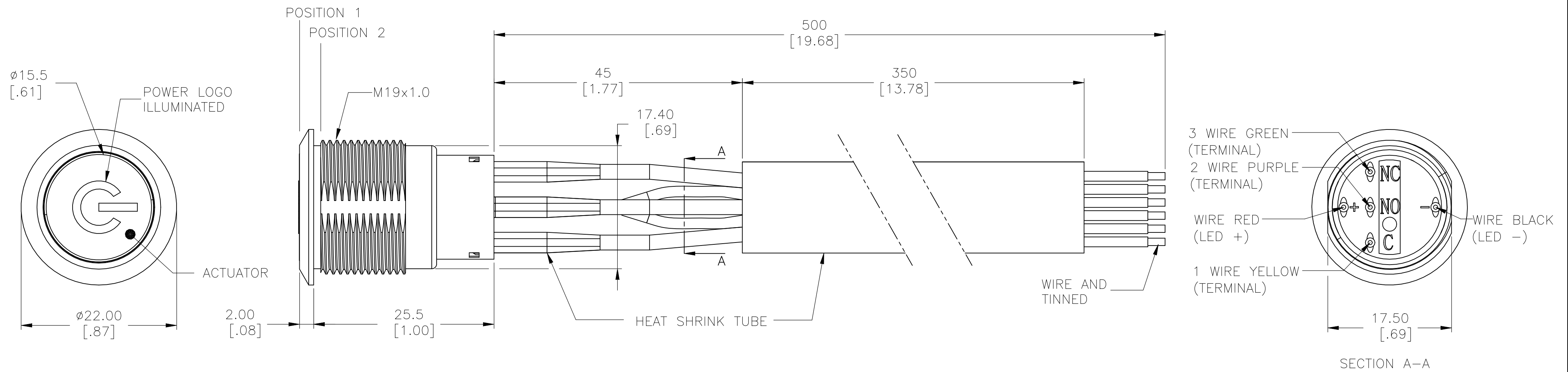


THIS DRAWING IS A CONTROLLED DOCUMENT.		DWN 15FEB2017 SHIVAKUMAR S S	TE Connectivity	
DIMENSIONS: mm [INCHES]		CHK 15FEB2017 SANJAY SHINDIKAR		
TOLERANCES UNLESS OTHERWISE SPECIFIED:		APVD 15FEB2017 SANJAY SHINDIKAR	NAME ANTI-VANDAL SWITCH 19mm SOLDER TERMINAL FLYING LEADS, POWER LOGO DUAL COLOR LED	
0 PLC ± -		PRODUCT SPEC	SIZE CAGE CODE DRAWING NO RESTRICTED TO	
1 PLC ± 0.4[.016]		APPLICATION SPEC	A2 00779 C=2316366 -	
2 PLC ± 0.25[.010]		WEIGHT 0	SCALE 1:1 SHEET 2 of 5 REV A1	
3 PLC ± -		CUSTOMER DRAWING		
4 PLC ± -				
ANGLES ± 2°				
FINISH				

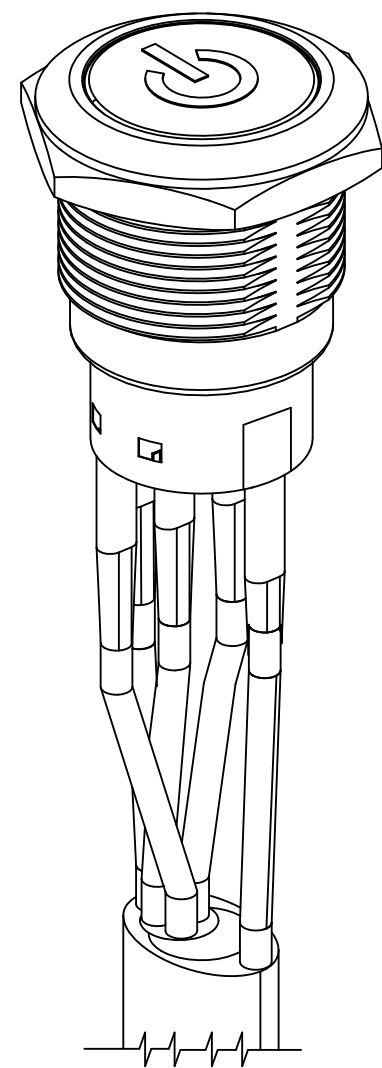
THIS DRAWING IS UNPUBLISHED. RELEASED FOR PUBLICATION  
 © COPYRIGHT - By - ALL RIGHTS RESERVED.

REVISIONS					
P	LTR	DESCRIPTION	DATE	DWN	APVD
-	-	SEE SHEET 1	-	-	-

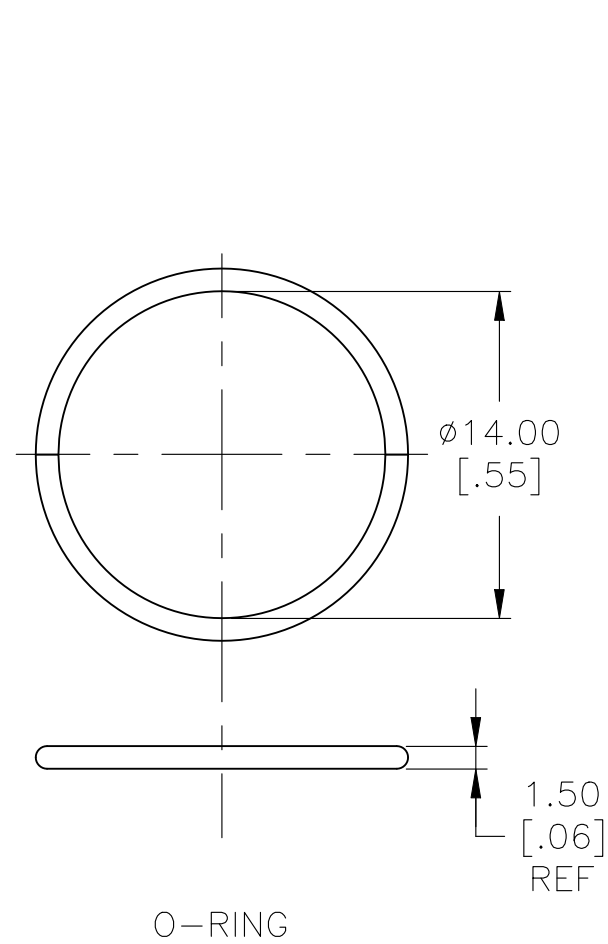
# SINGLE POLE SWITCH WITH DUAL COLOR LED'S AND FLYING LEADS



WIRE=18AWG, 300V(BLACK/YELLOW/GREEN/RED/PURPLE)

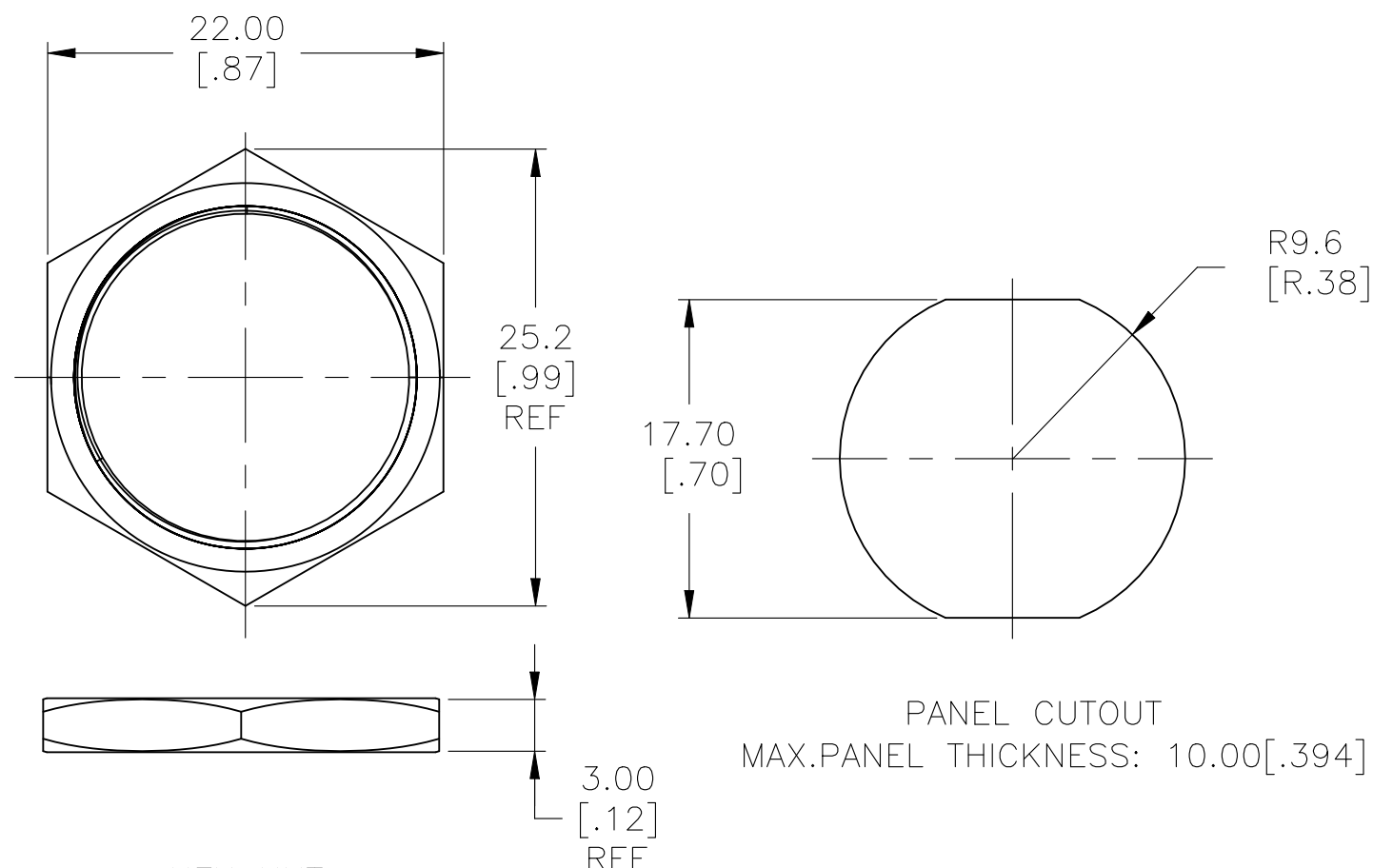


ASSEMBLED VIEW

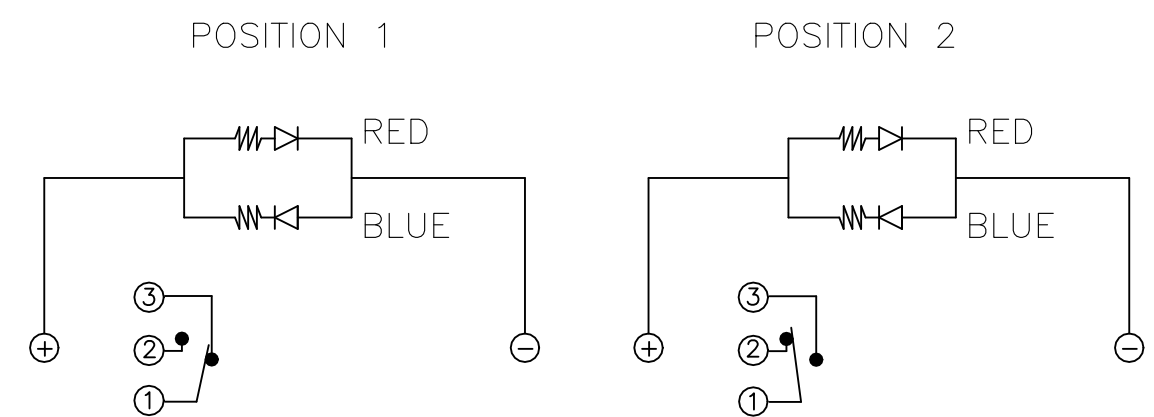


O-RING

HEX NUT



PANEL CUTOUT  
 MAX.PANEL THICKNESS: 10.00[.394]



POSITION 1

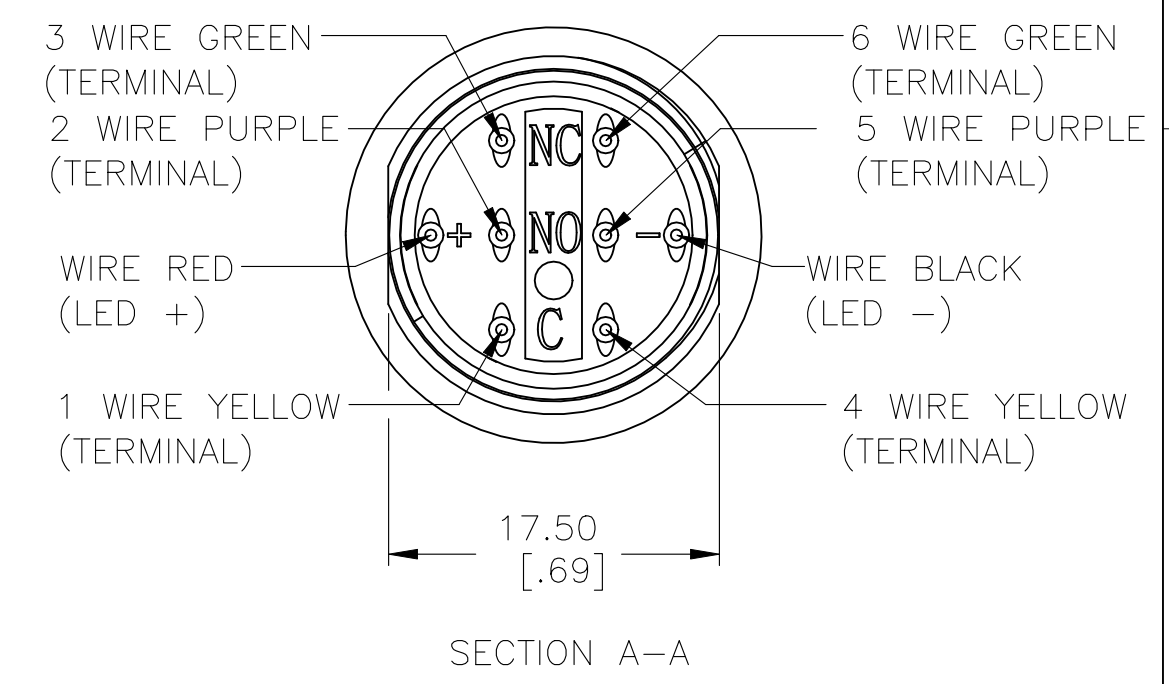
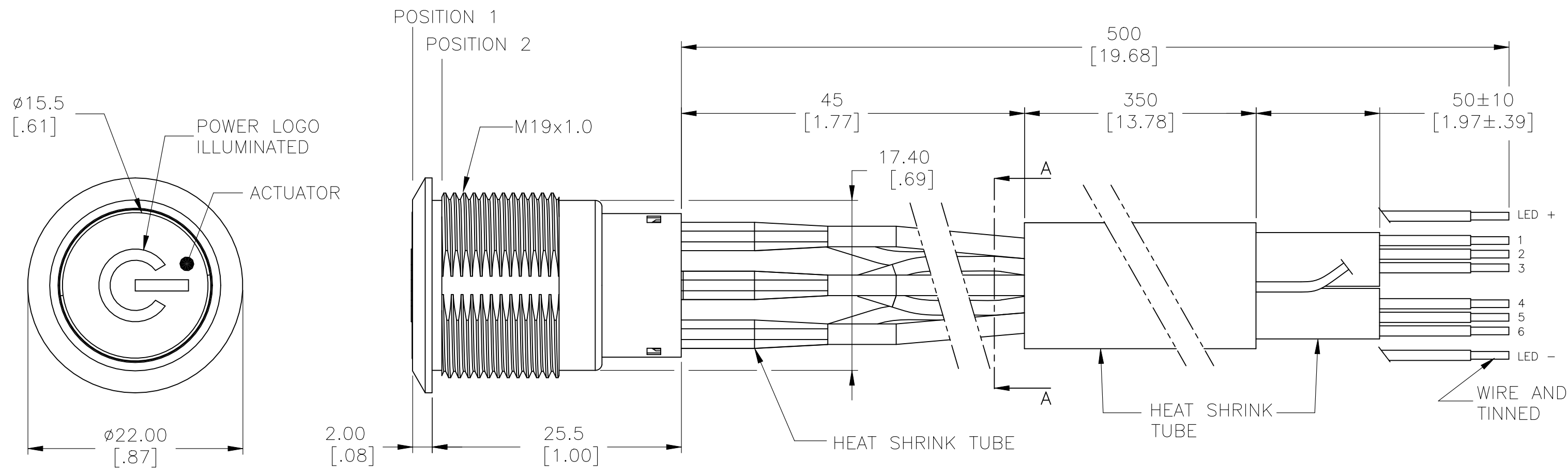
POSITION 2

THIS DRAWING IS A CONTROLLED DOCUMENT.		DWN SHIVAKUMAR S S	15FEB2017	<b>STE</b> TE Connectivity	
DIMENSIONS: mm [INCHES]		CHK SANJAY SHINDIKAR	15FEB2017		
TOLERANCES UNLESS OTHERWISE SPECIFIED:		APVD SANJAY SHINDIKAR	15FEB2017	NAME ANTI-VANDAL SWITCH 19mm SOLDER TERMINAL FLYING LEADS, POWER LOGO DUAL COLOR LED	
0 PLC ± - 1 PLC ± 0.4[.016] 2 PLC ± 0.25[.010] 3 PLC ± - 4 PLC ± - ANGLES ± 2°		PRODUCT SPEC	-	SIZE A2	CAGE CODE 00779
MATERIAL -		FINISH -	WEIGHT 0	DRAWING NO C=2316366	RESTRICTED TO -
CUSTOMER DRAWING			SCALE 1:1	SHEET 3 of 5	REV A1

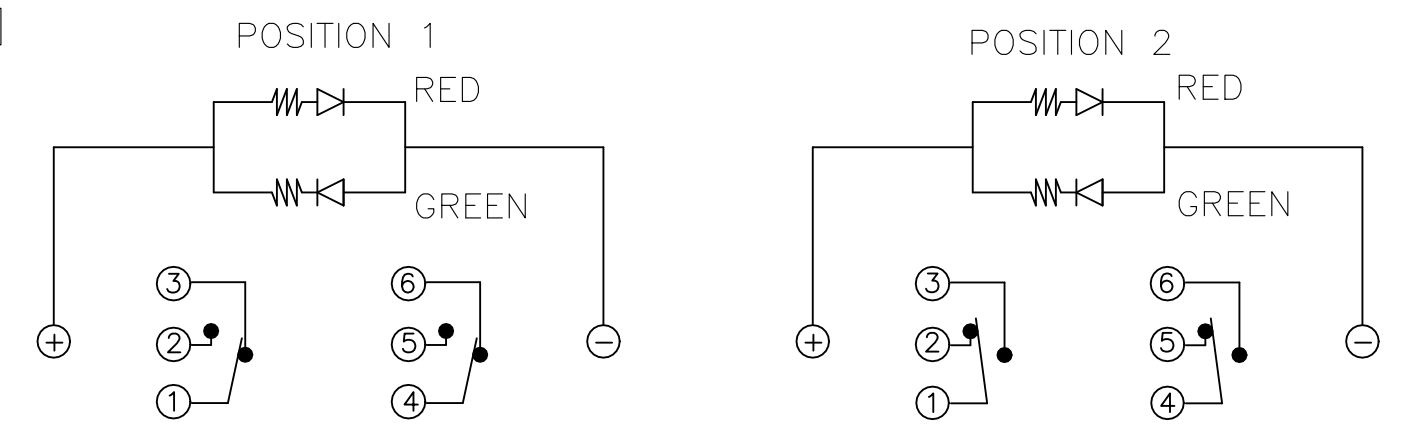
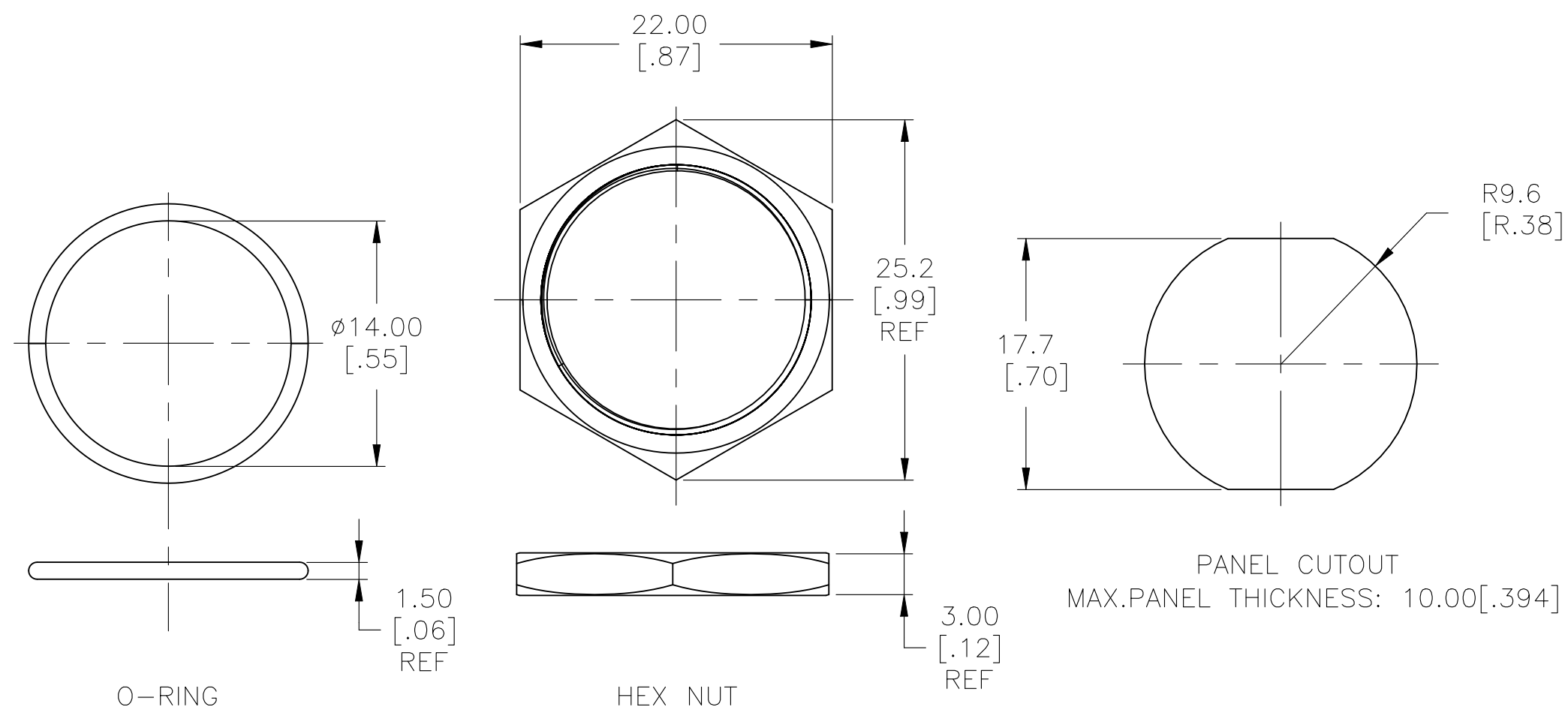
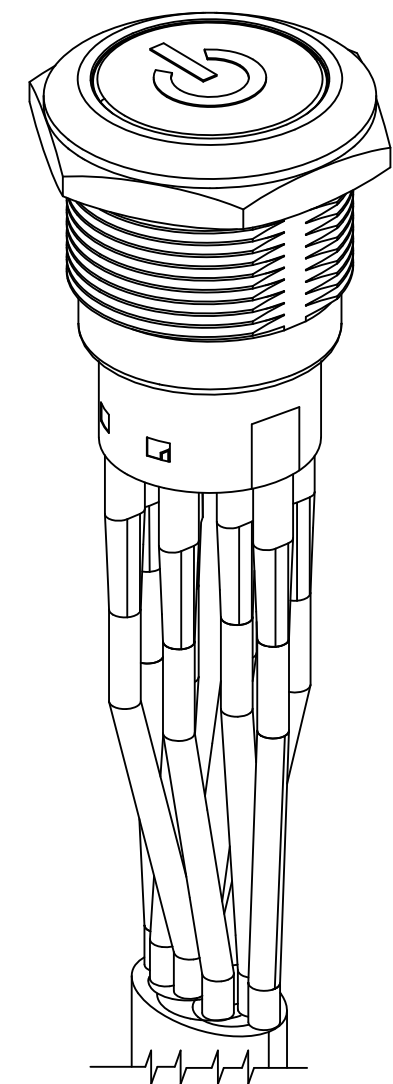
THIS DRAWING IS UNPUBLISHED. RELEASED FOR PUBLICATION  
 © COPYRIGHT - By - ALL RIGHTS RESERVED.

REVISIONS					
P	LTR	DESCRIPTION	DATE	DWN	APVD
-	-	SEE SHEET 1	-	-	-

# DOUBLE POLE SWITCH WITH DUAL COLOR LED'S AND FLYING LEADS



WIRE=18AWG, 300V(BLACK/YELLOW/GREEN/RED/PURPLE)



THIS DRAWING IS A CONTROLLED DOCUMENT.		DWN SHIVAKUMAR S S 15FEB2017	TE Connectivity			
DIMENSIONS: mm [INCHES]		CHK SANJAY SHINDIKAR 15FEB2017				
TOLERANCES UNLESS OTHERWISE SPECIFIED:		APVD SANJAY SHINDIKAR 15FEB2017	NAME ANTI-VANDAL SWITCH 19mm SOLDER TERMINAL FLYING LEADS, POWER LOGO DUAL COLOR LED			
0 PLC ± - 1 PLC ± 0.4 [.016] 2 PLC ± 0.25 [.010] 3 PLC ± - 4 PLC ± - ANGLES ± 2°		PRODUCT SPEC -	SIZE A2	CAGE CODE 00779	DRAWING NO C=2316366	RESTRICTED TO -
MATERIAL -		FINISH -	WEIGHT 0	SCALE 1:1	SHEET 4 OF 5	REV A1
CUSTOMER DRAWING						

THIS DRAWING IS UNPUBLISHED. RELEASED FOR PUBLICATION  
 © COPYRIGHT - By - ALL RIGHTS RESERVED.

REVISIONS					
P	LTR	DESCRIPTION	DATE	DWN	APVD
-	-	SEE SHEET 1	-	-	-

CONTACT PLATING	LIGHT TYPE	TERMINAL OPTION	POLE/THROW	LED COLOR	LED VOLTAGE	TE DESCRIPTIVE PART NUMBER	TE PART NUMBER
SILVER	POWER LOGO	FLYING LEAD TERMINALS	DOUBLE POLE - MOMENTARY	RED & YELLOW	24	AV1920PG24T5Q04	4-2316366-7
				RED & YELLOW	12	AV1920PG12T5Q04	4-2316366-6
				RED & BLUE	24	AV1920PB24T5Q04	4-2316366-5
			RED & BLUE	12	AV1920PB12T5Q04	4-2316366-4	
			RED & GREEN	24	AV1920PA24T5Q04	4-2316366-3	
			RED & GREEN	12	AV1920PA12T5Q04	4-2316366-2	
		SINGLE POLE - LOCKING	RED & YELLOW	24	AV1911PG24T5Q04	4-2316366-1	
			RED & YELLOW	12	AV1911PG12T5Q04	4-2316366-0	
			RED & BLUE	24	AV1911PB24T5Q04	3-2316366-9	
			RED & BLUE	12	AV1911PB12T5Q04	3-2316366-8	
			RED & GREEN	24	AV1911PA24T5Q04	3-2316366-7	
			RED & GREEN	12	AV1911PA12T5Q04	3-2316366-6	
	SINGLE POLE - MOMENTARY	RED & YELLOW	24	AV1910PG24T5Q04	3-2316366-5		
		RED & YELLOW	12	AV1910PG12T5Q04	3-2316366-4		
		RED & BLUE	24	AV1910PB24T5Q04	3-2316366-3		
		RED & BLUE	12	AV1910PB12T5Q04	3-2316366-2		
		RED & GREEN	24	AV1910PA24T5Q04	3-2316366-1		
		RED & GREEN	12	AV1910PA12T5Q04	3-2316366-0		
	SOLDER TERMINALS	DOUBLE POLE - MOMENTARY	DOUBLE POLE - MOMENTARY	RED & YELLOW	24	AV1920PG24Q04	1-2316366-8
				RED & YELLOW	12	AV1920PG12Q04	1-2316366-7
				RED & BLUE	24	AV1920PB24Q04	1-2316366-6
			RED & BLUE	12	AV1920PB12Q04	1-2316366-5	
			RED & GREEN	24	AV1920PA24Q04	1-2316366-4	
			RED & GREEN	12	AV1920PA12Q04	1-2316366-3	
SINGLE POLE - LOCKING		RED & YELLOW	24	AV1911PG24Q04	1-2316366-2		
		RED & YELLOW	12	AV1911PG12Q04	1-2316366-1		
		RED & BLUE	24	AV1911PB24Q04	1-2316366-0		
		RED & BLUE	12	AV1911PB12Q04	2316366-9		
		RED & GREEN	24	AV1911PA24Q04	2316366-8		
		RED & GREEN	12	AV1911PA12Q04	2316366-7		
SINGLE POLE - MOMENTARY	RED & YELLOW	24	AV1910PG24Q04	2316366-6			
	RED & YELLOW	12	AV1910PG12Q04	2316366-5			
	RED & BLUE	24	AV1910PB24Q04	2316366-4			
	RED & BLUE	12	AV1910PB12Q04	2316366-3			
	RED & GREEN	24	AV1910PA24Q04	2316366-2			
	RED & GREEN	12	AV1910PA12Q04	2316366-1			

THIS DRAWING IS A CONTROLLED DOCUMENT.		DWN 15FEB2017 SHIVAKUMAR S S	<b>STE</b> TE Connectivity	
DIMENSIONS: mm [INCHES]		CHK 15FEB2017 SANJAY SHINDIKAR		
TOLERANCES UNLESS OTHERWISE SPECIFIED:		APVD 15FEB2017 SANJAY SHINDIKAR	NAME ANTI-VANDAL SWITCH 19mm SOLDER TERMINAL FLYING LEADS, POWER LOGO DUAL COLOR LED	
0 PLC ± -		PRODUCT SPEC -	APPLICATION SPEC -	
1 PLC ± 0.4[.016]		SIZE A2 CAGE CODE 00779 DRAWING NO C-2316366 RESTRICTED TO -		
2 PLC ± 0.25[.010]		WEIGHT 0 SCALE 1:1 SHEET 5 OF 5 REV A1		
3 PLC ± -		CUSTOMER DRAWING		
4 PLC ± -				
ANGLES ± 2°				
MATERIAL - FINISH -				