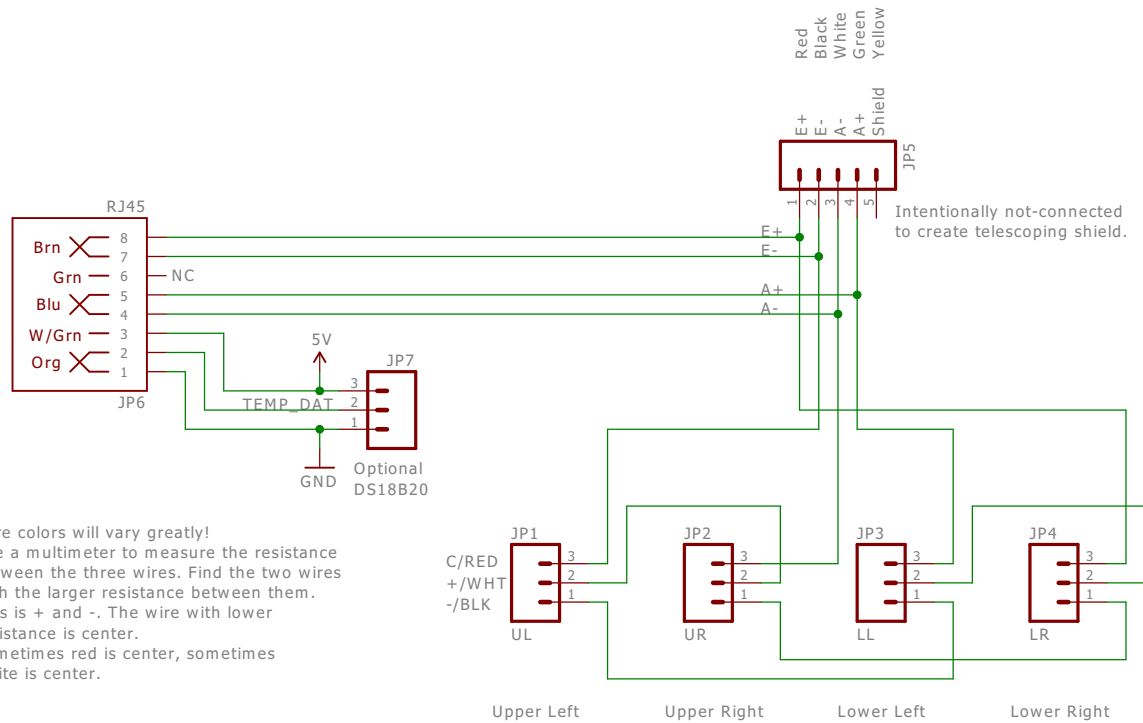
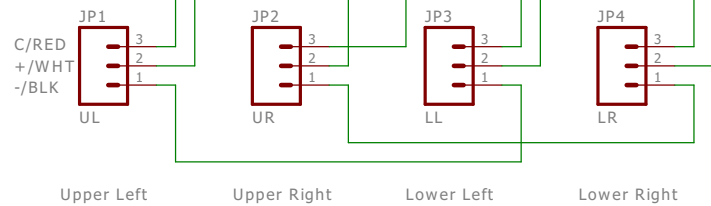


Connections to Amplifier



Wire colors will vary greatly!  
 Use a multimeter to measure the resistance between the three wires. Find the two wires with the larger resistance between them. This is + and -. The wire with lower resistance is center.  
 Sometimes red is center, sometimes white is center.



Common Bathroom Scale  
 3-Wire Load Sensors

4 load sensors combine to create one load cell

Released under the Creative Commons Attribution Share-Alike 4.0 License  
<https://creativecommons.org/licenses/by-sa/4.0/> ○○○○

TITLE: SparkFun Load Sensor Combinator v11

Design by: N. Seidle  
 Revised by: A. Wende  
 REV: v11

Date: 7/21/2016 4:24 PM Sheet: 1/1

