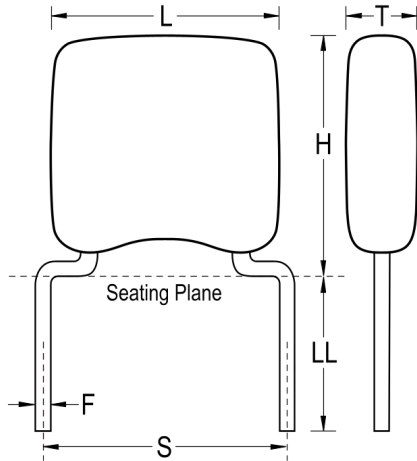


C350C394MCR5TA

GoldMax 300 Comm X7R HV, Ceramic, 0.39 uF, 20%, 500 VDC, X7R, GoldMax, Commercial Standard, Lead Spacing = 10.16mm



Click [here](#) for the 3D model.

Dimensions

L	12.7mm MAX
H	14.22mm MAX
T	6.85mm MAX
S	10.16mm +/-0.78mm
LL	7mm MIN
F	0.64mm +0.1/-0.025mm

Packaging Specifications

Packaging	Bulk, Bag
Packaging Quantity	50

General Information

Series	GoldMax 300 Comm X7R HV
Style	Radial
Description	GoldMax, Commercial Standard
RoHS	Yes
Termination	Tin
Failure Rate	N/A
AEC-Q200	No
Halogen Free	Yes

Specifications

Capacitance	0.39 uF
Measurement Condition	1kHz 1.0Vrms
Capacitance Tolerance	20%
Voltage DC	500 VDC
Dielectric Withstanding Voltage	750 VDC
Temperature Range	-55/+125°C
Temperature Coefficient	X7R
Capacitance Change with Reference to +25°C and 0 VDC Applied (TCC)	0.15, 1kHz 1.0Vrms
Dissipation Factor	2.5% 1kHz 1.0Vrms
Aging Rate	3% Loss/Decade Hour: Referee Time is 1000 Hours
Insulation Resistance	2.56 GOhms