

**COMPONENTS**

INDEX	PART	TYPE	MATERIAL	COLOR / COATING
1	C16584_DAISSY-4X1-WW	LENS	PMMA	CLEAR
2	C17423_DAISSY-4X1-SHD2-WHT-MATT	SHADE	PC	WHITE

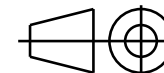
**MECHANICAL DRAWING**

PRODUCT  
**CN17426\_DAISSY-4X1-WW-WHT-MATT**



Plastic moulding general tolerances according to DIN 16901-130 and applies if not otherwise shown in the drawing. Silicone moulding general tolerances according to ISO 3302-1 Class M3 and applies if not otherwise shown in the drawing.

FIRST ANGLE PROJECTION:



This drawing is the property of LEDiL Oy. It may not be copied or otherwise distributed without prior written permission from LEDiL Oy.

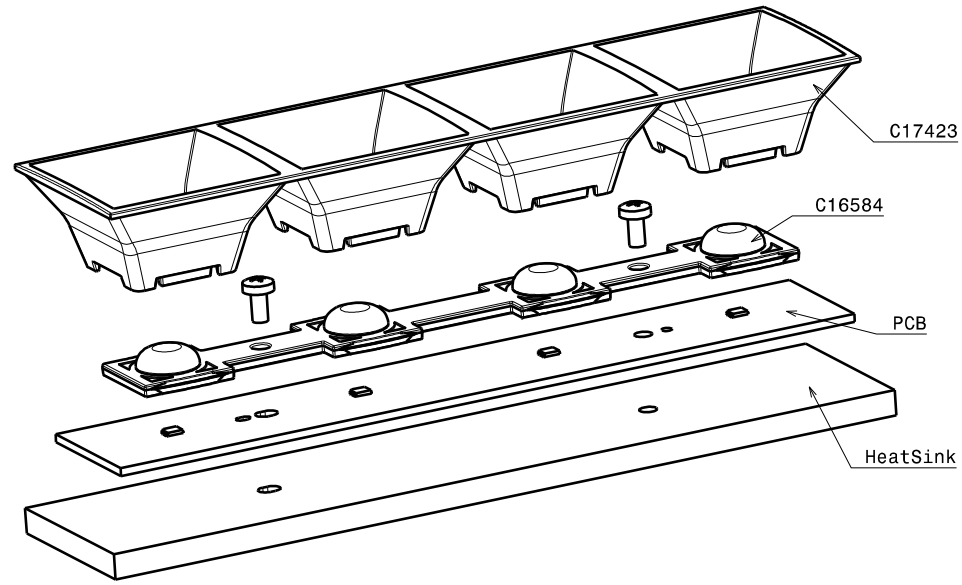
SCALE 1:1

WEIGHT 28,40g

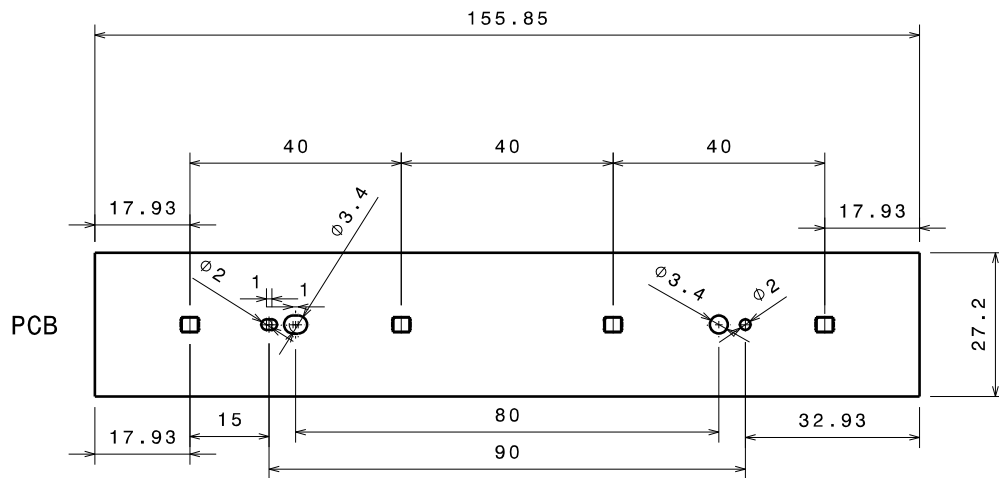
A3 SHEET 1/1

**Notes**

Ensure LED fitting from a product specific 3D model available from [www.ledil.com](http://www.ledil.com)  
For more details about installation please see LEDiL Installation Guide on [www.ledil.com](http://www.ledil.com)



Positioning of different LED combinations  
Recommended LED spacing in clusters 0.2mm



**COMPONENTS**

INDEX	PART	TYPE	MATERIAL	COLOR / COATING
1	C16584_DAISY-4X1-WW	LENS	PMMA	CLEAR
2	C17423_DAISY-4X1-SHD2-WHT-MATT	SHADE	PC	WHITE

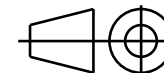
**MECHANICAL DRAWING**

PRODUCT  
**CN17426\_DAISY-4X1-WW-WHT-MATT**



Plastic moulding general tolerances according to DIN 16901-130 and applies if not otherwise shown in the drawing. Silicone moulding general tolerances according to ISO 3302-1 Class M3 and applies if not otherwise shown in the drawing.

FIRST ANGLE PROJECTION:



This drawing is the property of LEDiL Oy. It may not be copied or otherwise distributed without prior written permission from LEDiL Oy.

SCALE 1:1

WEIGHT 28,40g

A3 SHEET 1/1

**Notes**

Ensure LED fitting from a product specific 3D model available from [www.ledil.com](http://www.ledil.com)  
For more details about installation please see LEDiL Installation Guide on [www.ledil.com](http://www.ledil.com)