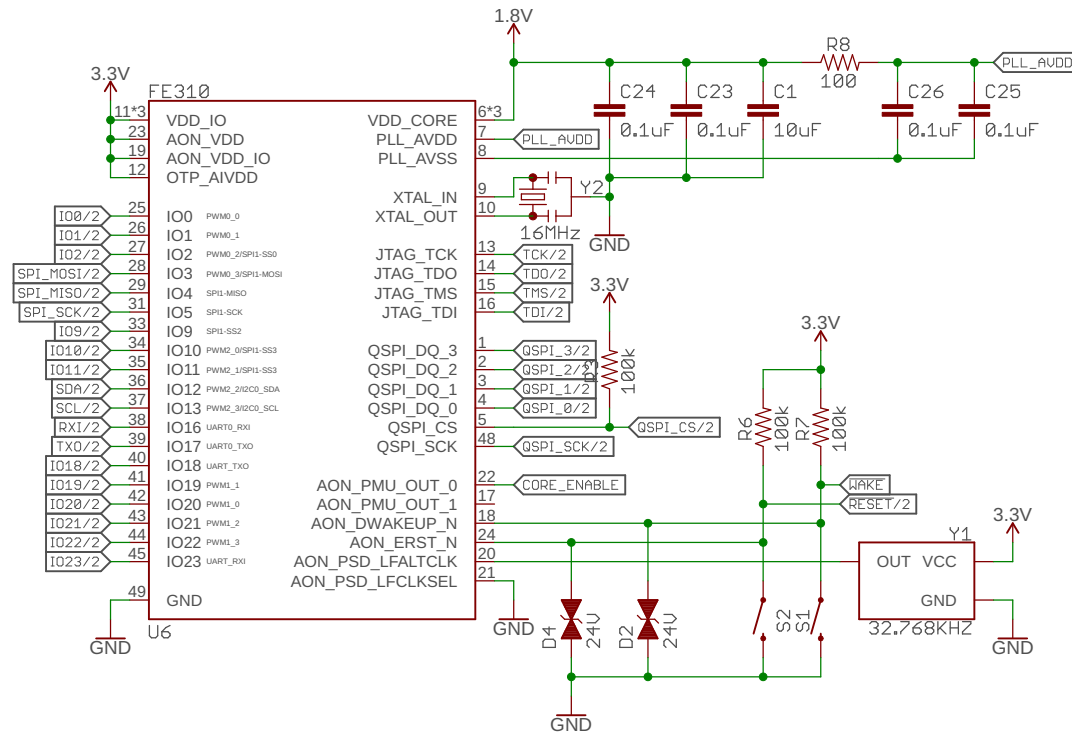
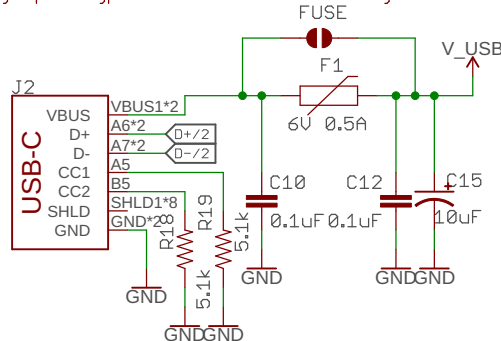


# FE310



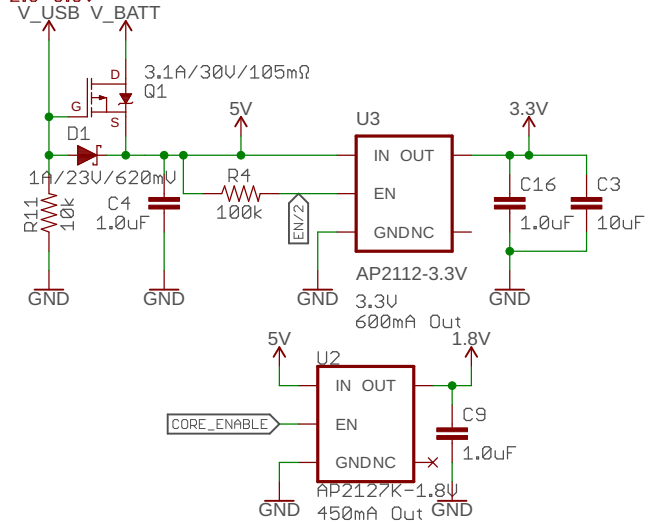
## USB-C Connector

Closing this jumper bypasses the .5A fuse. Only close it if you need a lot of current.



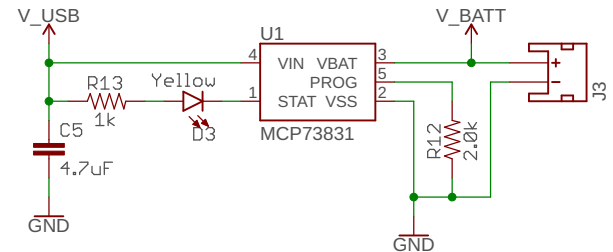
## Power Supply

VIN: 2.5-6.0V



## Lithium-Polymer Single-Cell Battery Charger

V\_BATT should be a single-cell LiPo battery



Charge Current:  
 $I_{CHG} = 1000 / R_{PROG}$   
 $R_{PROG} = 2k : I_{CHG} = 500mA$

Released under the Creative Commons

Attribution Share-Alike 4.0 License

<https://creativecommons.org/licenses/by-sa/4.0/>

TITLE: RedVThingPlus



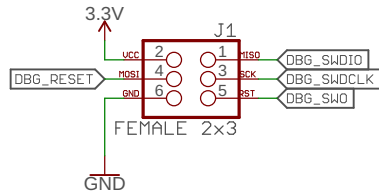
Design by: Andy England

REV:  
v10

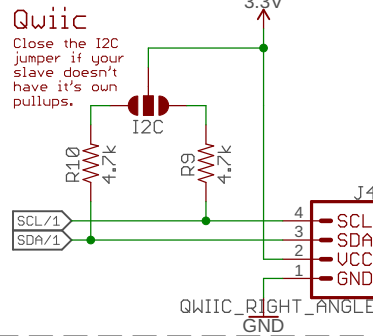
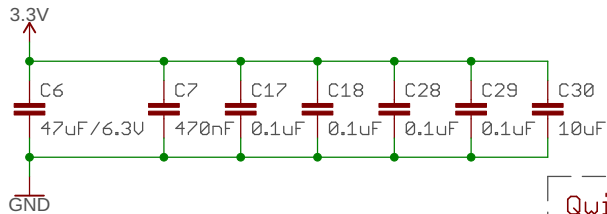
Date: 12/10/2019 12:27 PM

Sheet: 1/2

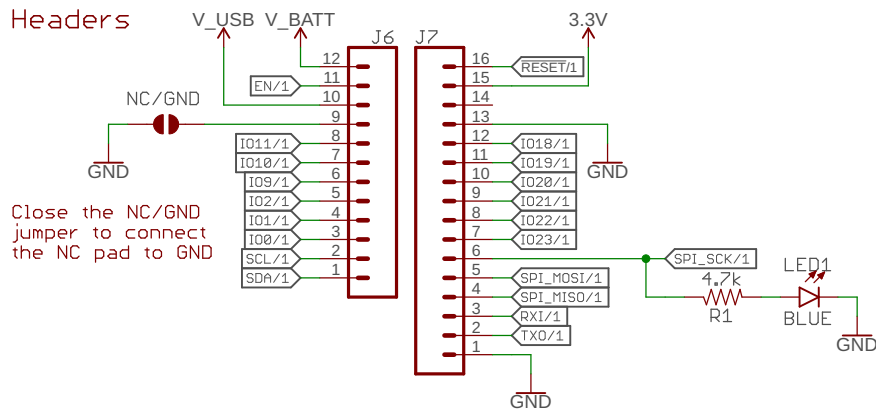
### Programming Headers & Test Points



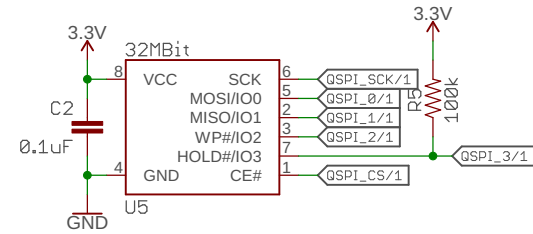
### Capacitors



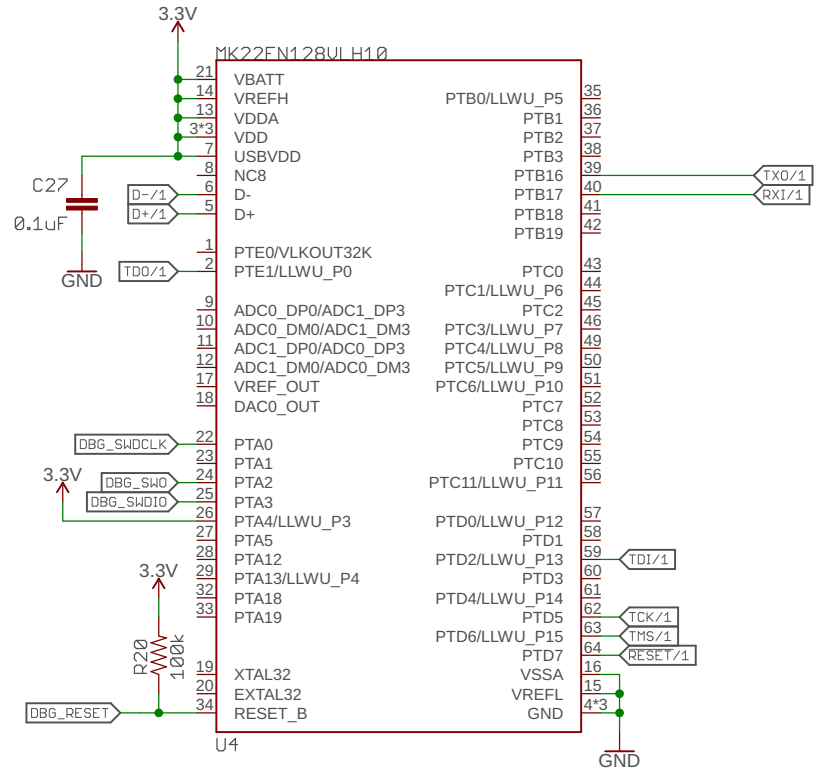
### Headers



### 32MBit QSPI Flash



### USB -> JTAG



Released under the Creative Commons Attribution Share-Alike 4.0 License  
<https://creativecommons.org/licenses/by-sa/4.0/>

TITLE: RedVThingPlus

Design by: Andrew England

REV: v10

Date: 12/10/2019 12:27 PM

Sheet: 2/2