

MATERIAL SPECIFICATIONS:

Housing: Nylon-6, UL-94V-0 rated, color black
 Contact / Terminals: Brass. Tin plated

MECHANICAL SPECIFICATIONS:

Withdrawal force: 1.3 to 6.7 Kg
 Panel thickness range: 1.0 ~ 2.0 mm
 Solderability: 270°C for 5 sec. max.

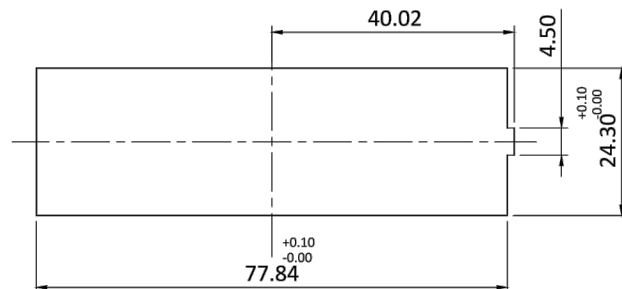
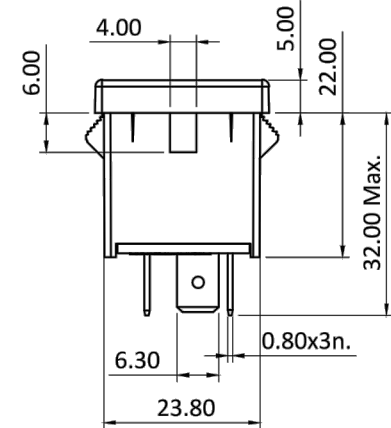
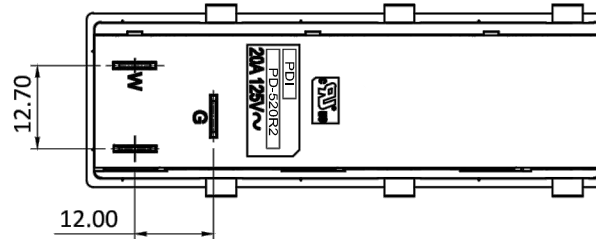
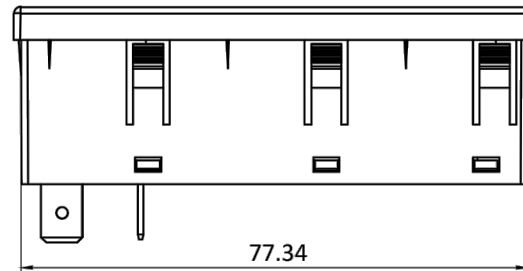
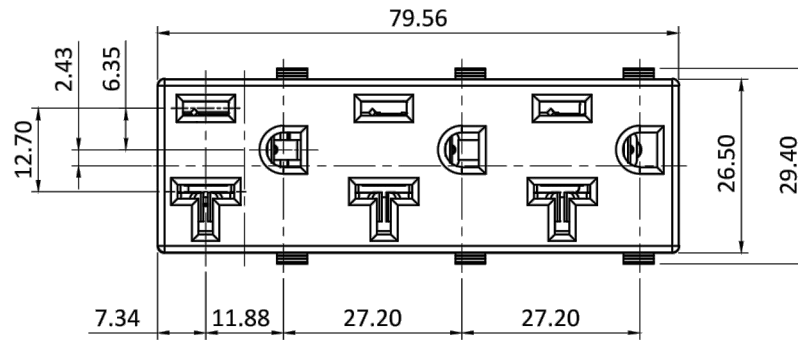
ELECTRICAL SPECIFICATIONS:

Rated current: 20A
 Rated Voltage: 125VAC
 Contact resistance (initial): 10 mohms max.
 Insulation resistance: 100Mohms min. @ 500VDC
 Dielectric withstanding voltage: 2000 VAC for 1 minute

ENVIRONMENTAL SPECIFICATIONS:

Operating temperature: 0°C to 65°C

SAFETY AGENCY APPROVAL: 



RECOMMENDED
 PANEL CUTOUT
 FOR 1.0mm to 2.0mm PANEL THICKNESS

TOLERANCE UNLESS OTHERWISE SPECIFIED	
X	± 1
X.X	± 0.4
X.XX	± 0.20
DRAWN BY	PB
DATE:	1/4/21
CHECK BY	-
DATE:	-
APPR BY	-
DATE:	-

Power Dynamics, Inc.	
Phone: 973 560-0019 Whippany, New Jersey Fax: 973 560-0076	
PART: 3 GANG NEMA 5-20R SNAP IN RECEPTACLE	
PD-520R2-3121	
SHEET 1 of 1	
SCALE: NTS	ALL DIMENSIONS FOR REFERENCE ONLY
REV:	-

REVISIONS	CHNG	CHK	APPR
	CHANGE		
	REV	DATE	