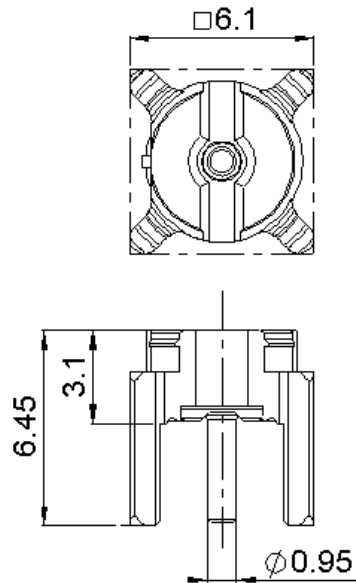


STRAIGHT JACK RECEPTACLE FOR PCB

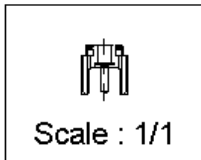
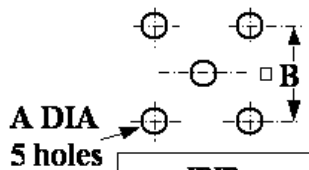
R223.425.000

SOLDER LEGS

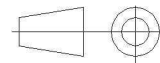
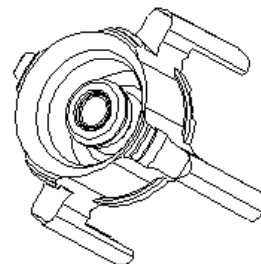
Series : MMBX



PANEL CUT OUT



	mm	
	Maxi	mini
A	1.4	1.2
B	5.16	5



All dimensions are in mm.

COMPONENTS	MATERIALS	PLATING (µm)
BODY	BRASS	NPGR
CENTER CONTACT	BRASS	NPGR
OUTER CONTACT		-
INSULATOR	LIQUID CRYSTAL POLYMER	
GASKET		
OTHERS PARTS		
-	-	-
-	-	-



Issue : 0735 B

In the effort to improve our products, we reserve the right to make changes judged to be necessary.



STRAIGHT JACK RECEPTACLE FOR PCB

R223.425.000

SOLDER LEGS

Series : MMBX

PACKAGING

SPECIFICATION

Standard	Unit	Other
100	'W' option	Contact us

ELECTRICAL CHARACTERISTICS

ENVIRONMENTAL

Impedance		50 Ω
Frequency		0-12.4 GHz
VSWR	1.065 +	0,0000 x F(GHz) Maxi
Insertion loss		0.12 √F(GHz) dB Maxi
RF leakage	- (100 - F(GHz)) dB Maxi
Voltage rating		330 Veff Maxi
Dielectric withstanding voltage		1000 Veff mini
Insulation resistance		1000 MΩ mini

Operating temperature	-55/+155 ° C
Hermetic seal	NA Atm.cm3/s
Panel leakage	NA

OTHER CHARACTERISTICS

Assembly instruction **NA**

Others :
to 6 GHz
Interface MMBX only up to 2.5GHz
PCB to PCB -45dB up to 2.5 GHz

Mated pair height 6.7mm

MECHANICAL CHARACTERISTICS

Center contact retention		
Axial force – Mating end	10	N mini
Axial force – Opposite end	10	N mini
Torque	NA	N.cm mini
Recommended torque		
Mating	NA	N.cm
Panel nut	NA	N.cm
Mating life	100	Cycles mini
Weight	0,3840	g

Issue : 0735 B

In the effort to improve our products, we reserve the right to make changes judged to be necessary.



STRAIGHT JACK RECEPTACLE FOR PCB

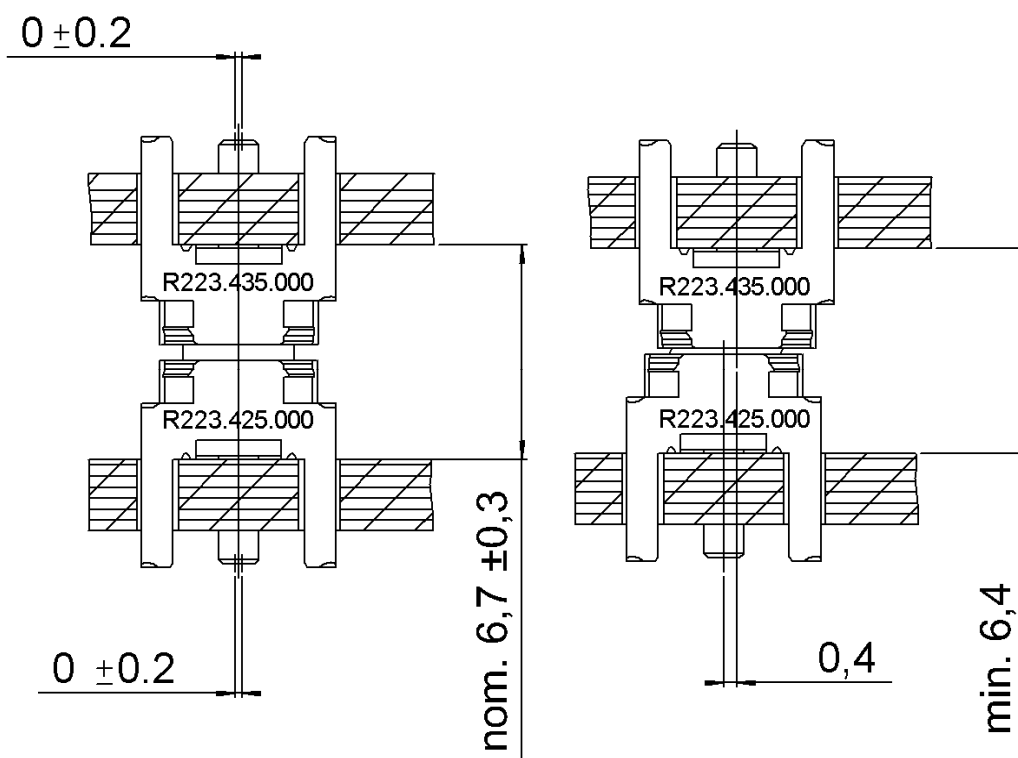
R223.425.000

SOLDER LEGS

Series : MMBX

MMBX SERIES INFORMATIONS

PCB



Issue : 0735 B

In the effort to improve our products, we reserve the right to make changes judged to be necessary.

