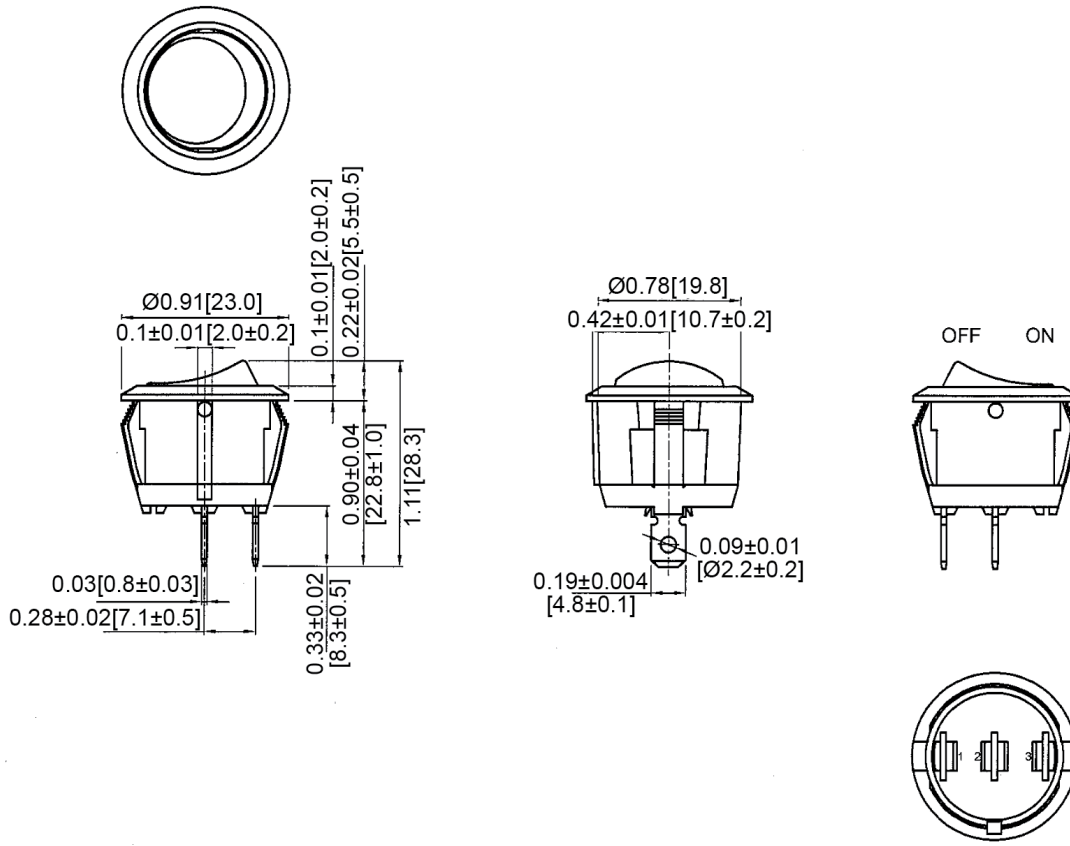
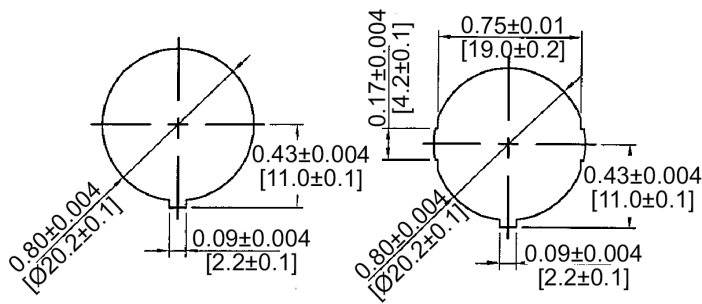


Mechanical Dimensions: Inches [mm]

Tolerances  $\pm 0.012$  [0.3] Unless Otherwise Specified



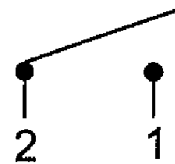
Mounting Hol



Thickness: 0.1~0.12 [2.0~3.0] | 0.03~0.12 [0.7~3.0]

Circuit Diagram

2P SPST OFF-ON



Electrical Specification

<b>Rating</b>	10(4)A 125/250V AC, 10A 125V AC 6A 250V AC  10(4)A 250V AC    16A 125V AC, 10A 250V AC.
<b>Contact Resistance</b>	50m ohm Max
<b>Insulation Resistance</b>	DC 500V 100M ohm Min
<b>Dielectric Strength</b>	AC 1500V 1 minute
<b>Operation Temperature</b>	-25°C~85°C

Material Specification

<b>Frame</b>	Black, Nylon 66 (94-V2)
<b>Actuator</b>	Black, Nylon 66 (94-V2)
<b>Terminals</b>	C1100
<b>Contacts</b>	AgSnO2InO3

Rev	Date of issue	Revision Notes	Designed	Approved
B	06-08-2021	Initial D awing	RC	OF