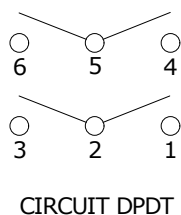


PANEL CUTOUT

PANEL THICKNESS	(x)
0.75 - 1.25	30.0
1.25 - 2.00	30.2
2.00 - 3.00	30.5

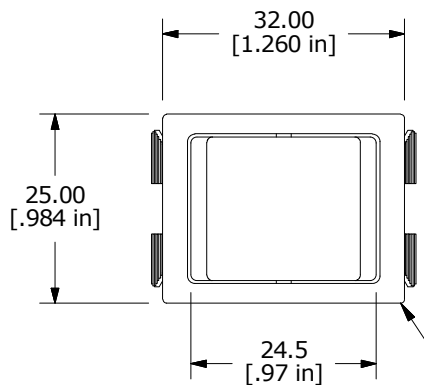
▲ SWITCH FUNCTION		
POS. 1	POS. 2	POS. 3
(ON)	OFF	ON
2-3, 5-6	OPEN	2-1, 5-4

(ON) = MOMENTARY

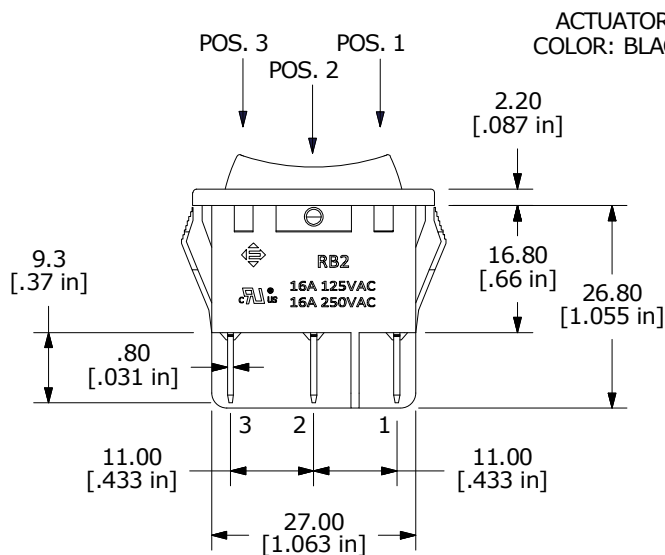


NOTE:

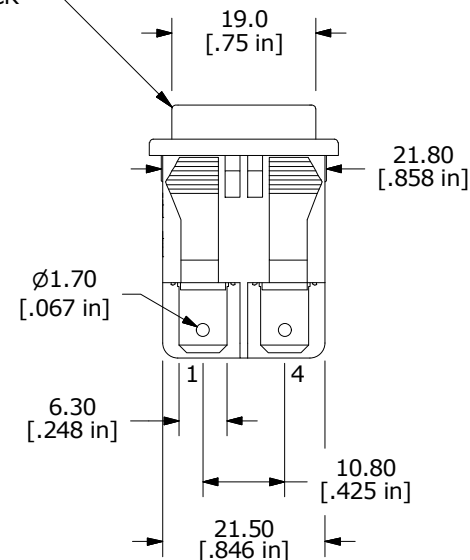
- DIMENSIONS IN MM [INCH]
- GENERAL TOLERANCE: X.X = ± 0.4
X.XX = ± 0.25
- TERMINAL NUMBERS FOR REF ONLY
- CONTACT MATERIAL: SILVER ALLOY
- CONTACT RATINGS: 16A @ 125VAC [cURus]
16A @ 250VAC [cURus]
- CONTACT RESISTANCE: 20mΩ MAX. INITIAL
- INSULATION RESISTANCE: 100MΩ MIN. @ 500VDC
- DIELECTRIC STRENGTH: 1,000VAC FOR 1 MINUTE
- ELECTRICAL LIFE: 6,000 CYCLES [cURus]
- OPERATING TEMPERATURE: 0°C to 65°C [cURus]
- ▲ DENOTES CRITICAL PARAMETER
- 2011/65/EU (ROHS) COMPLIANT



BODY COLOR: BLACK



ACTUATOR COLOR: BLACK



B	22892	redraw, correct Pos 3 to ON - Pos 1 to (ON)	6/14/17	MW
A	00057	INITIAL RELEASE	7/29/09	CAB
REV	PCR NO	DESCRIPTION	DATE	BY

TITLE RB24JE1100				
SCALE	DATE	DR	DWG	REV
1:1	7/29/2009	CAB	14-RB24JE1100	B

THE INFORMATION CONTAINED IN THIS DOCUMENT IS PROPRIETARY TO E-SWITCH AND IS NOT TO BE COPIED OR TRANSFERRED