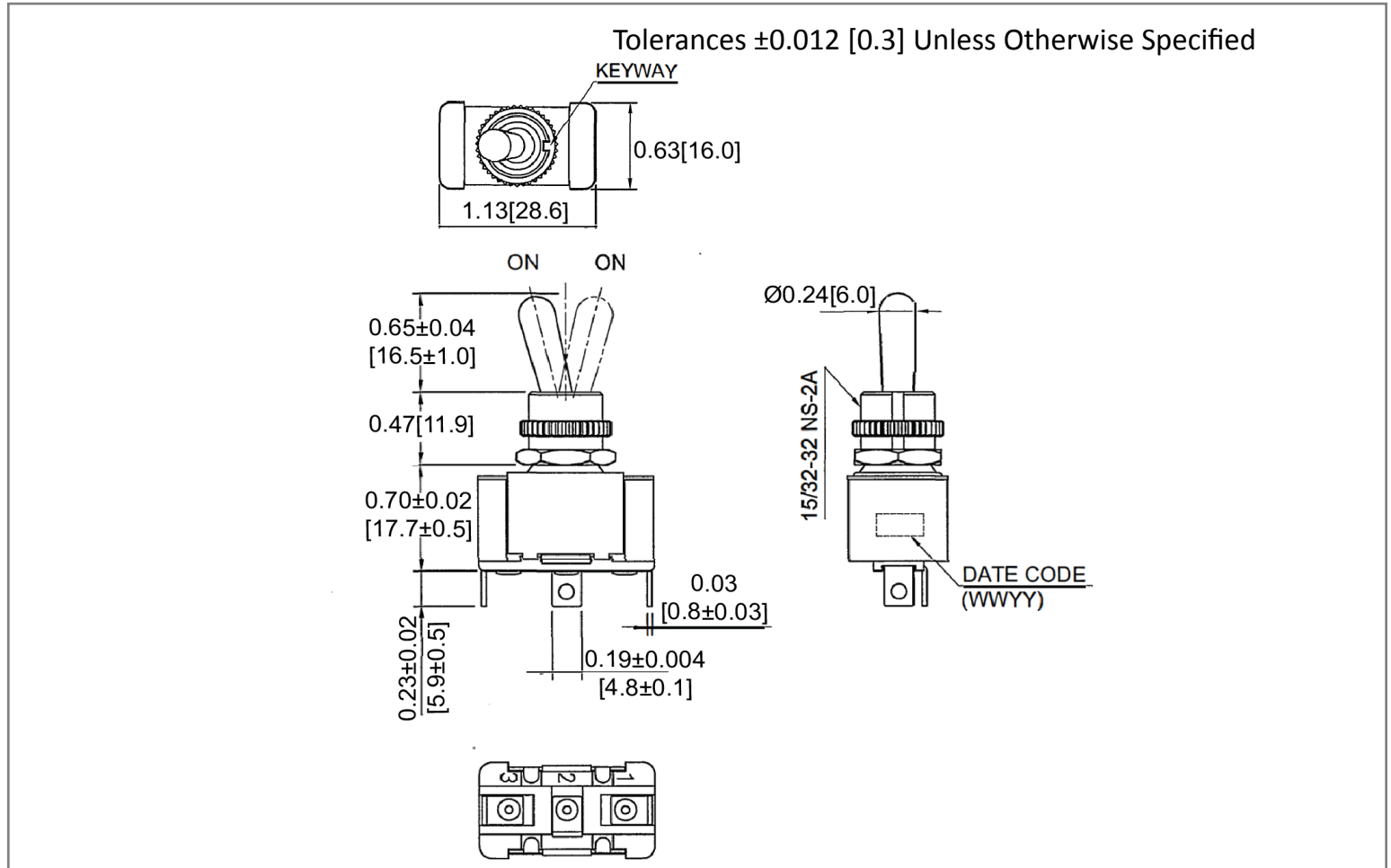
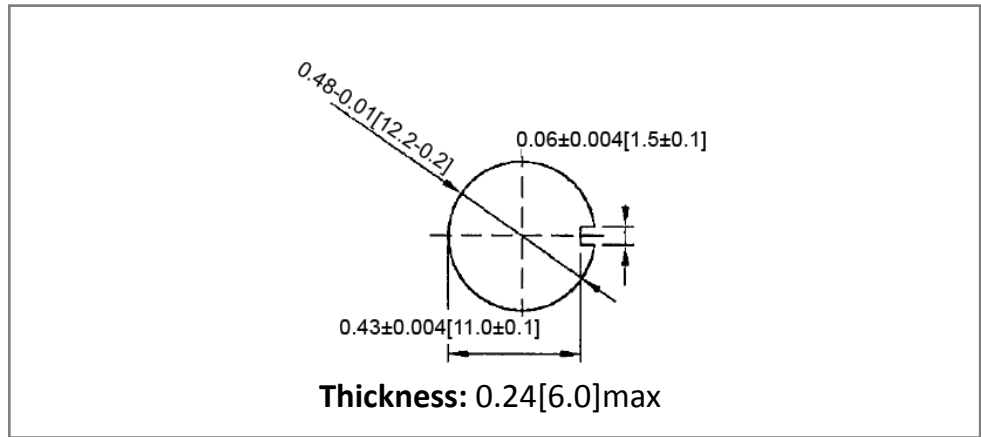


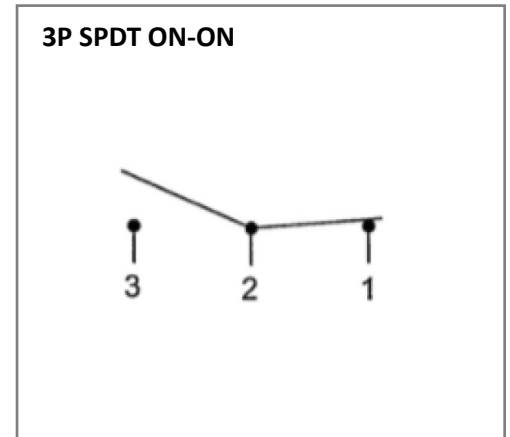
Mechanical Dimensions: Inches [mm]



Mounting Hole



Circuit Diagram



Electrical Specifications

| | | |
|------------------------------|--|-------------------|
| Rating | 12(4)A 125/250V AC 20A 125V AC, 10A 277V AC, 16(4)A 125/250V AC | 3/4HP 125-250V AC |
| Contact Resistance | 50m ohm Max | |
| Insulation Resistance | DC 500V 100M ohm Min | |
| Dielectric Strength | AC 1500V 1 minute | |
| Operation Temperature | -20°C ~ 85°C | |

Material Specifications

| | |
|------------------------|--------------------|
| Operation Force | 700gf \pm 250 gf |
| | 1 Hex Nut Assy |
| | 1 Knurl Nut Assy |

| Rev | Date of issue | Revision Notes | Designed | Approved |
|-----|---------------|-----------------|----------|----------|
| B | 03-04-2020 | Initial Drawing | RC | OF |