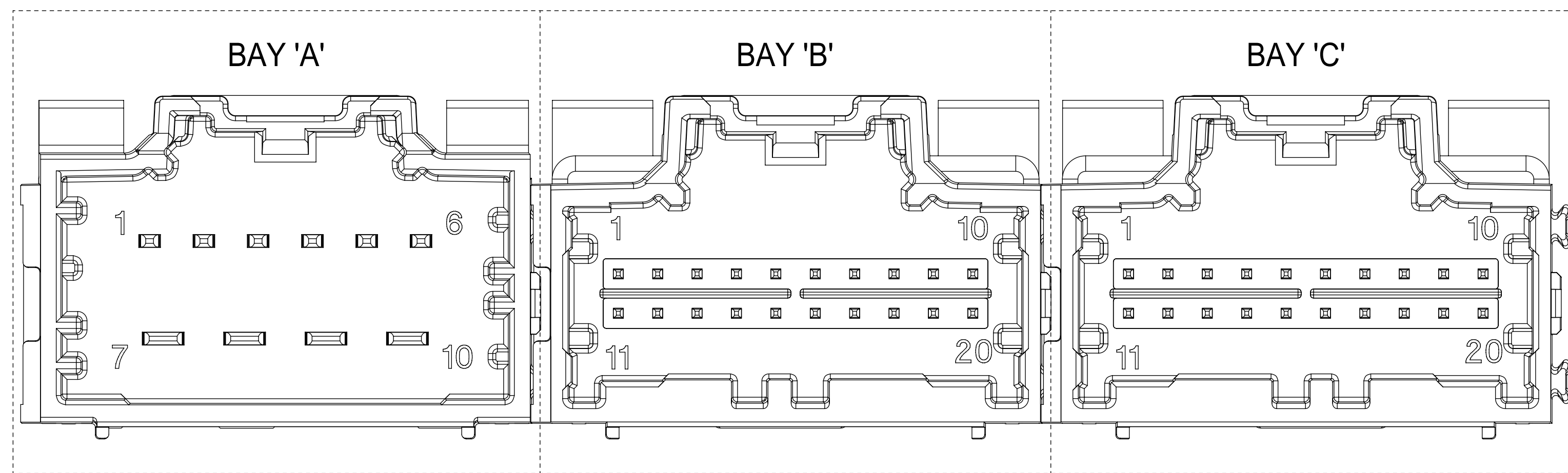


DIMENSIONAL CHART FOR MULTIBAY CONFIGURATION:

PART NUMBER (TUBE PKG)	PART NUMBER (TRAY PKG)	BAY A			BAY B			BAY C			DIM 'A'	DIM 'B'	DIM 'C'	DIM 'D'	DIM 'E'
		CKT	TYPE	POL	CKT	TYPE	POL	CKT	TYPE	POL					
TBD	34707-3010	20	0.64mm	A	8	0.64mm	A	16	0.64mm	A	79.52	77.05	22.86	12.70	27.94
TBD	34707-3020	16	0.64mm	B	8	0.64mm	B	20	0.64mm	B	79.52	77.05	27.94	12.70	22.86
TBD	34707-3021	10	HYBRID	A	20	0.64mm	C	20	0.64mm	D	99.84	97.37	27.94	27.94	27.94
TBD	34707-3030	12	0.64mm	A	20	0.64mm	C	20	0.64mm	D	89.68	87.21	27.94	27.94	17.78
TBD	34707-3040	20	0.64mm	A	20	0.64mm	B	20	0.64mm	C	99.84	97.37	27.94	27.94	27.94
TBD	34707-3050	16	0.64mm	A	16	0.64mm	B	16	0.64mm	C	84.60	82.13	22.86	22.86	22.86
TBD	34707-3060	20	0.64mm	B	16	0.64mm	C	10	HYBRID	A	94.76	92.29	27.94	22.86	27.94
TBD	34707-3070	10	HYBRID	A	10	HYBRID	B	10	HYBRID	C	99.84	97.37	27.94	27.94	27.94
TBD	34707-3090	20	0.64mm	A	20	0.64mm	C	8	0.64mm	B	84.60	82.13	27.94	27.94	12.70
TBD	34707-3100	14	HYBRID	A	20	0.64mm	A	20	0.64mm	B	99.84	97.37	27.94	27.94	27.94

3-BAY STAC64 VERTICAL HEADER ASSEMBLY  
(P/N: 34707-3021 SHOWN)



NOTES: VALID UNLESS OTHERWISE SPECIFIED  
1. GENERAL:

a. CONNECTOR HEADER MUST BE VALIDATED TO THE FOLLOWING FUNCTIONAL REQUIREMENTS:

PRODUCT SPECIFICATION:  
8-20 CKT 0.64mm PRODUCT SPEC: PS-34729-020/PS-31408-100  
10/14 CKT HYBRID PRODUCT SPEC: PS-31372-100

b. APPLICATION REQUIREMENTS (REFERENCE ONLY):

APPLICATION SPECIFICATION: AS-34729-020/AS-31408-100

c. PACKAGING SPECIFICATION PER MOLEX DRAWING PK-31300-892 (TRAY)  
c. PACKAGING SPECIFICATION PER MOLEX DRAWING PK-31301-063 (TUBE)

2. DESIGN: MATERIALS:

a. SHROUD (PLASTIC HOUSING):  
RESIN - SPS 30%GF  
COLOR:  
POL A - BLACK  
POL B - GRAY  
POL C - BROWN  
POL D - GREEN

b. 0.64mm PINS:  
BASE MATERIAL: C26000  
PLATING TYPE: AS NOTED

1.50/2.80mm BLADES:  
BASE MATERIAL: C19400  
PLATING TYPE: AS NOTED

3. PLATING REQUIREMENTS:

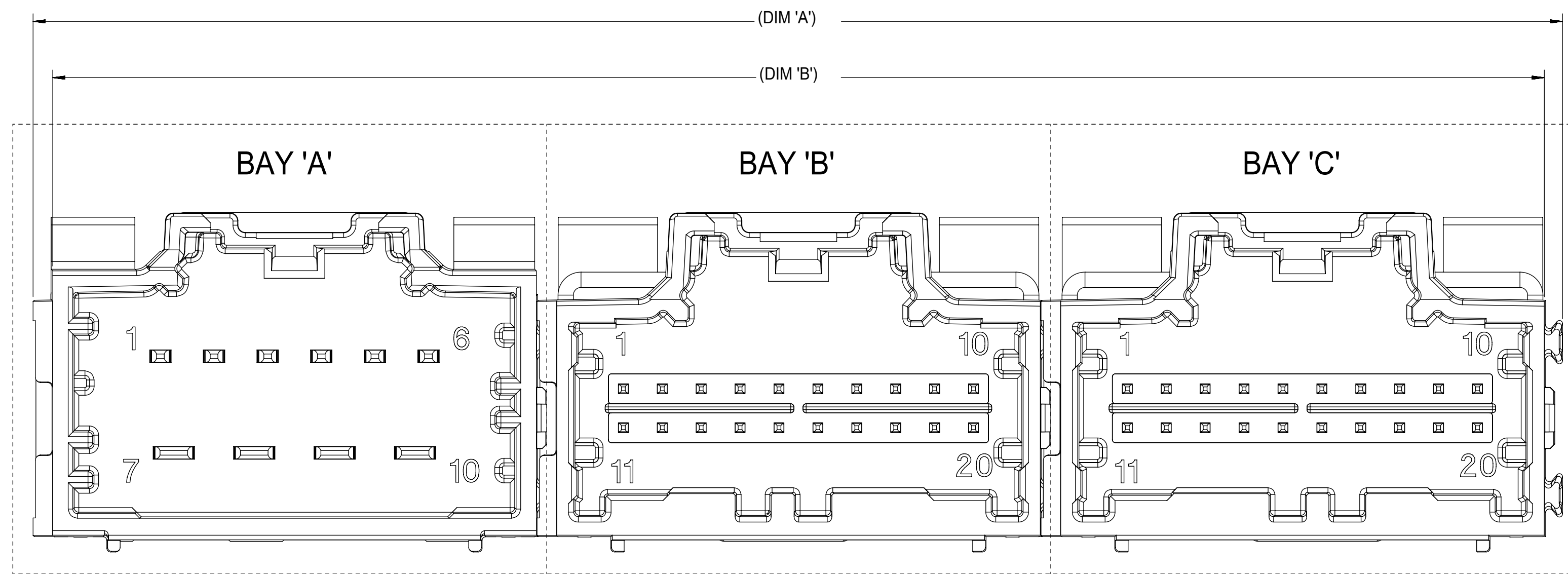
a. UNDERPLATING - OVERALL NICKEL

b. OVERPLATING - OVERALL TIN

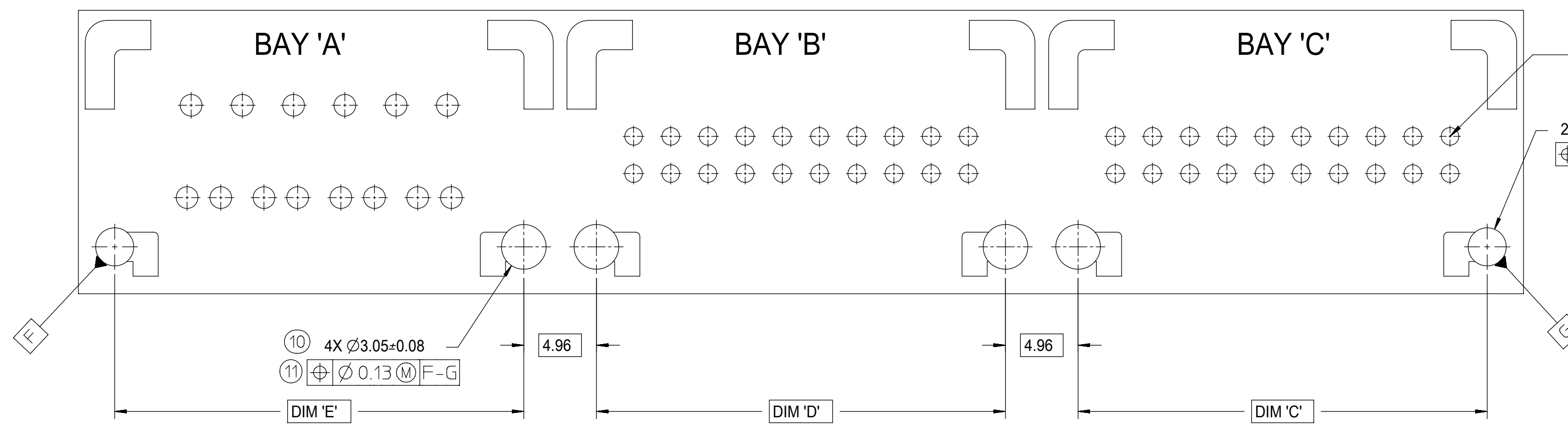
4. FOR DESCRIPTION OF INDIVIDUAL BAYS, REFER TO THE FOLLOWING

SINGLE BAY DRAWINGS:  
8-20 CKT 0.64: SD-34690-100  
10 CKT HYBRID: SD-34695-100  
14 CKT HYBRID: SD-34772-200

SYMBOLS	THIS DRAWING CONTAINS INFORMATION THAT IS PROPRIETARY TO MOLEX ELECTRONIC TECHNOLOGIES, LLC AND SHOULD NOT BE USED WITHOUT WRITTEN PERMISSION		CURRENT REV DESC:		
	DIMENSION UNITS	SCALE			
▽ = 0	mm	4:1			3-BAY STAC64 VERTICAL HEADER ASSEMBLY SALES DRAWING  PRODUCT CUSTOMER DRAWING
▽ = 0	GENERAL TOLERANCES (UNLESS SPECIFIED)				
▽ = 0	ANGULAR TOL ± 1.0°		EC NO: 612618		DOCUMENT NUMBER <b>SD-34707-300</b>
▽ = 0	4 PLACES ±		DRWN: SHANDITHAVAL 2019/02/22		
▽ = 0	3 PLACES ±		CHK'D: RBAUMAN 2019/02/23		DOC TYPE DOC PART REVISION PSD 001 K2
▽ = 0	2 PLACES ± 0.13		APPR: RBAUMAN 2019/02/23		
▽ = 0	1 PLACE ± 0.25		INITIAL REVISION:		MATERIAL NUMBER CUSTOMER SHEET NUMBER SEE TABLE GENERAL MARKET 1 OF 4
▽ = 0	0 PLACES ±		DRWN: JDUNAJ 2009/03/10		
▽ = 0	DRAFT WHERE APPLICABLE MUST REMAIN WITHIN DIMENSIONS		APPR: SMARCEAU 2009/03/11		
▽ = 0	THIRD ANGLE PROJECTION		DRAWING SERIES		
▽ = 0	D-SIZE		34707		



**RECOMMENDED PCB LAYOUT**  
 INSERT NECESSARY BAYS USING CHART ON SHEET 1

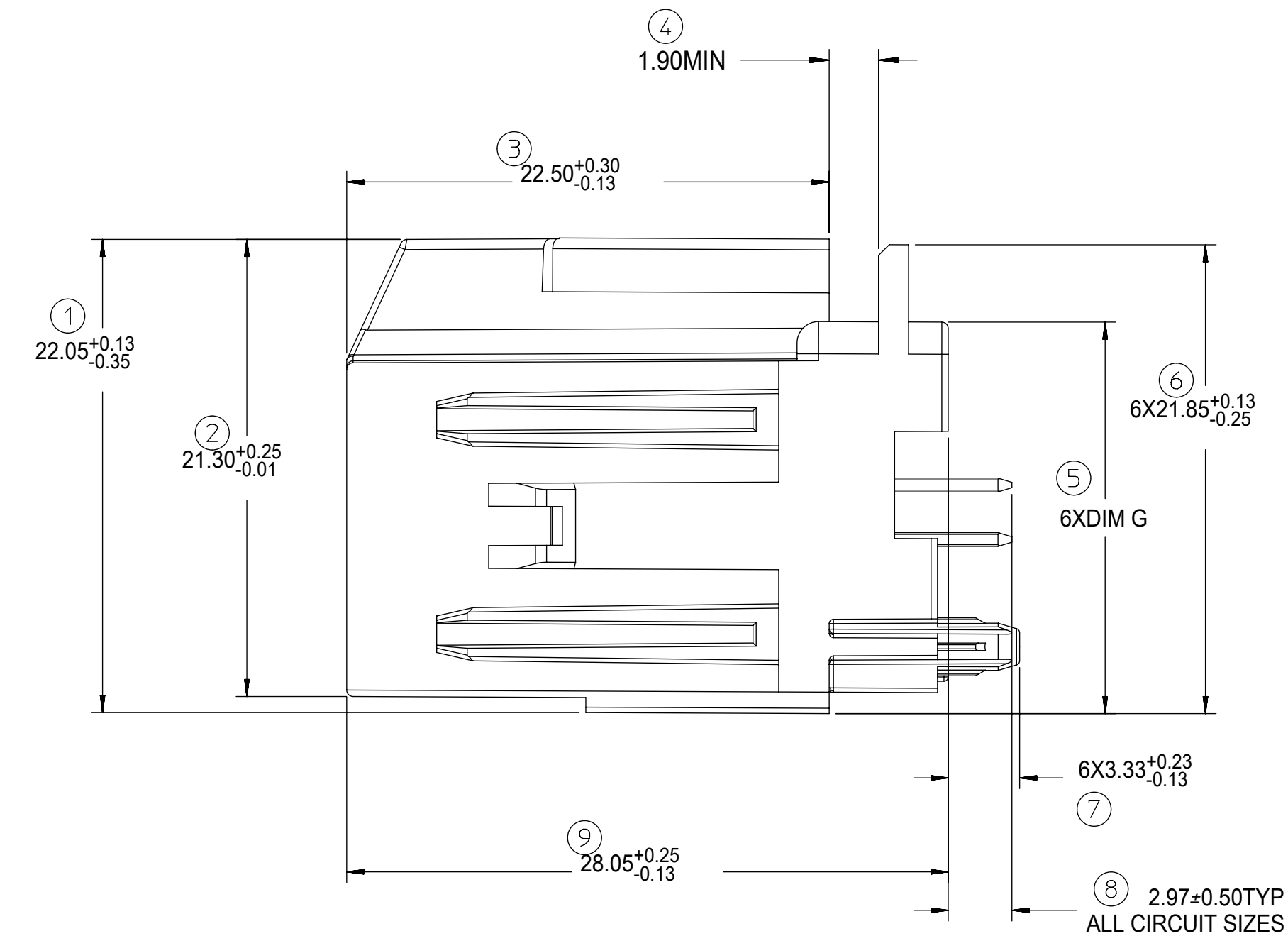


2X ØZ±0.08  
 Ø 0.13 (M) F

FOR PIN LOCATION,  
 REFER TO TEMPLATES ON SHEET 4

POST HOLE TABLE:

FOR DIM Z:	
PRESS FIT:	2.60
DROP IN:	3.05

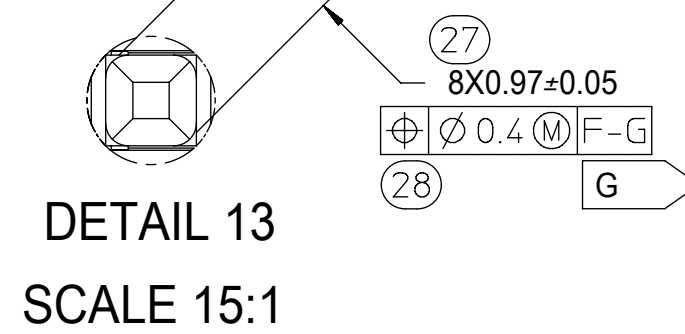
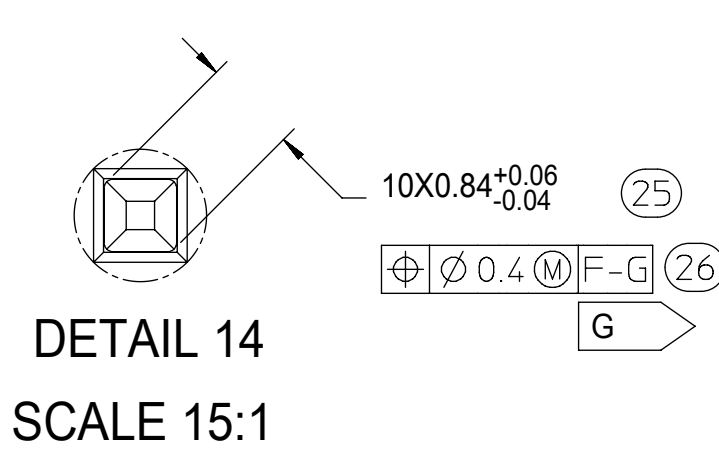
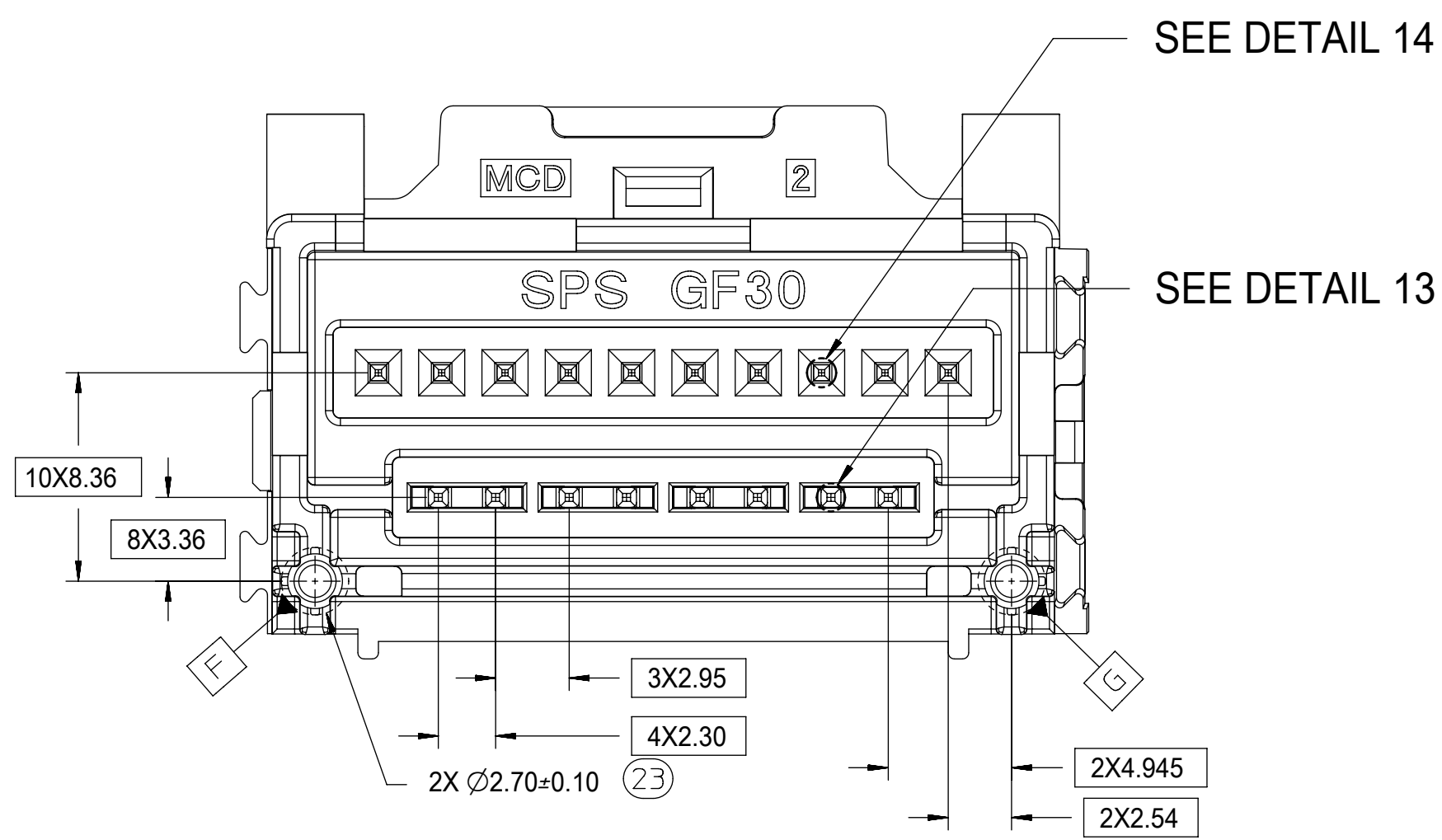
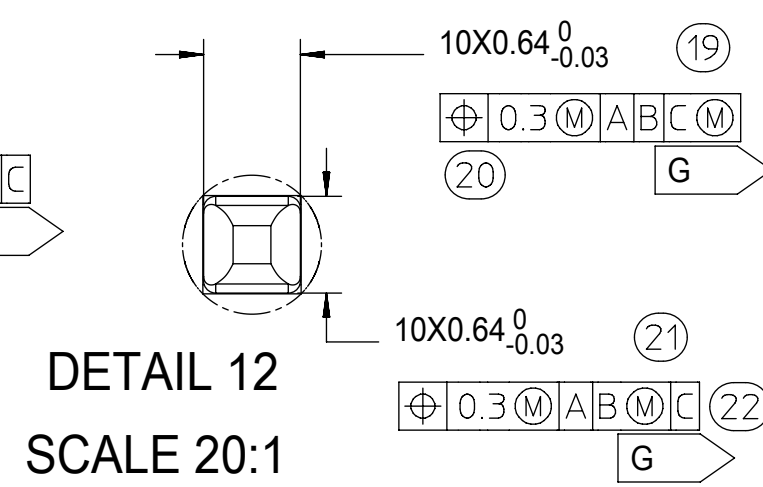
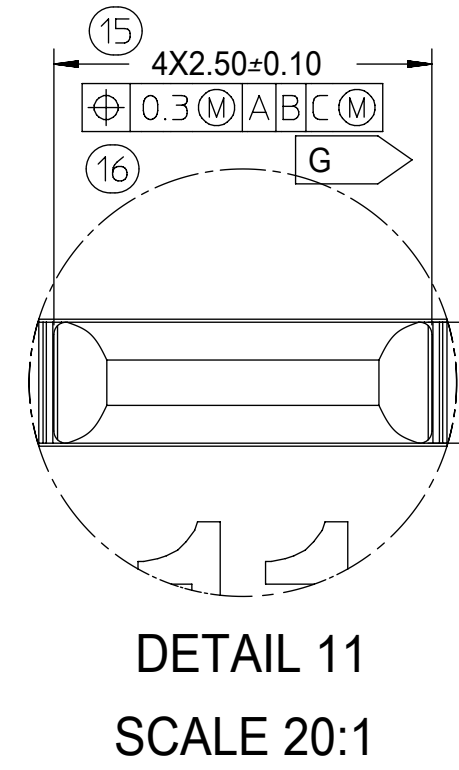
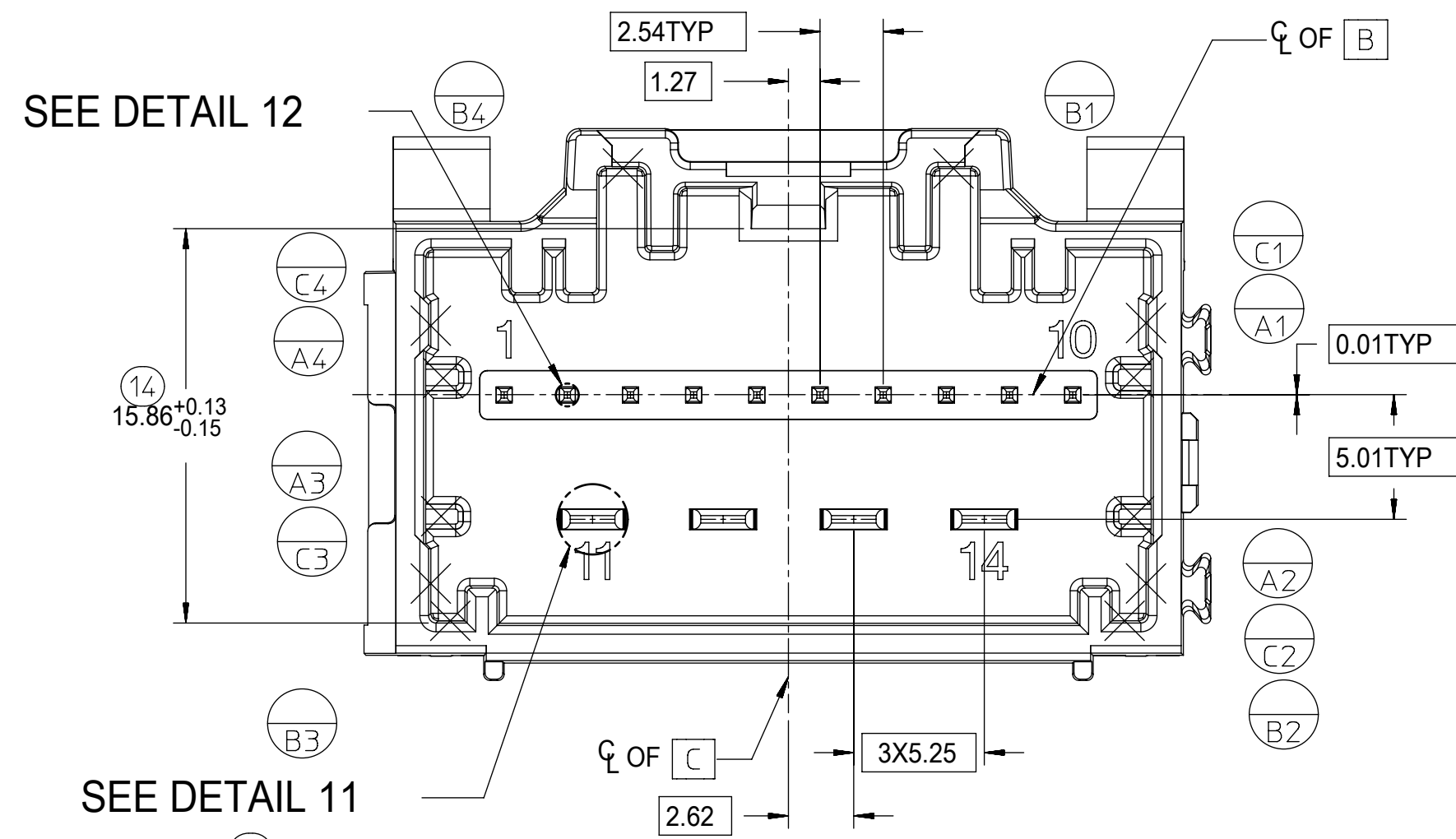


FOR DIM G:

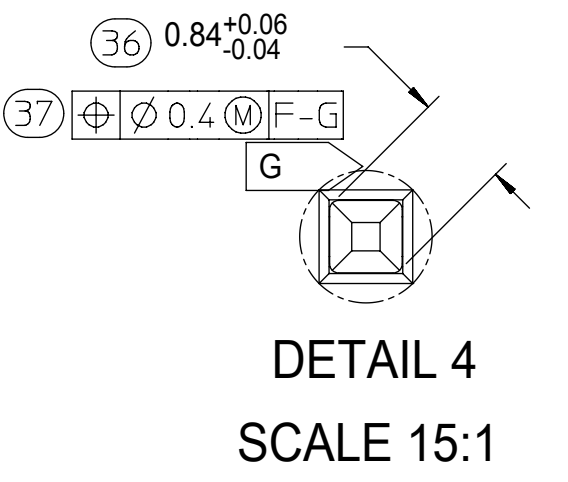
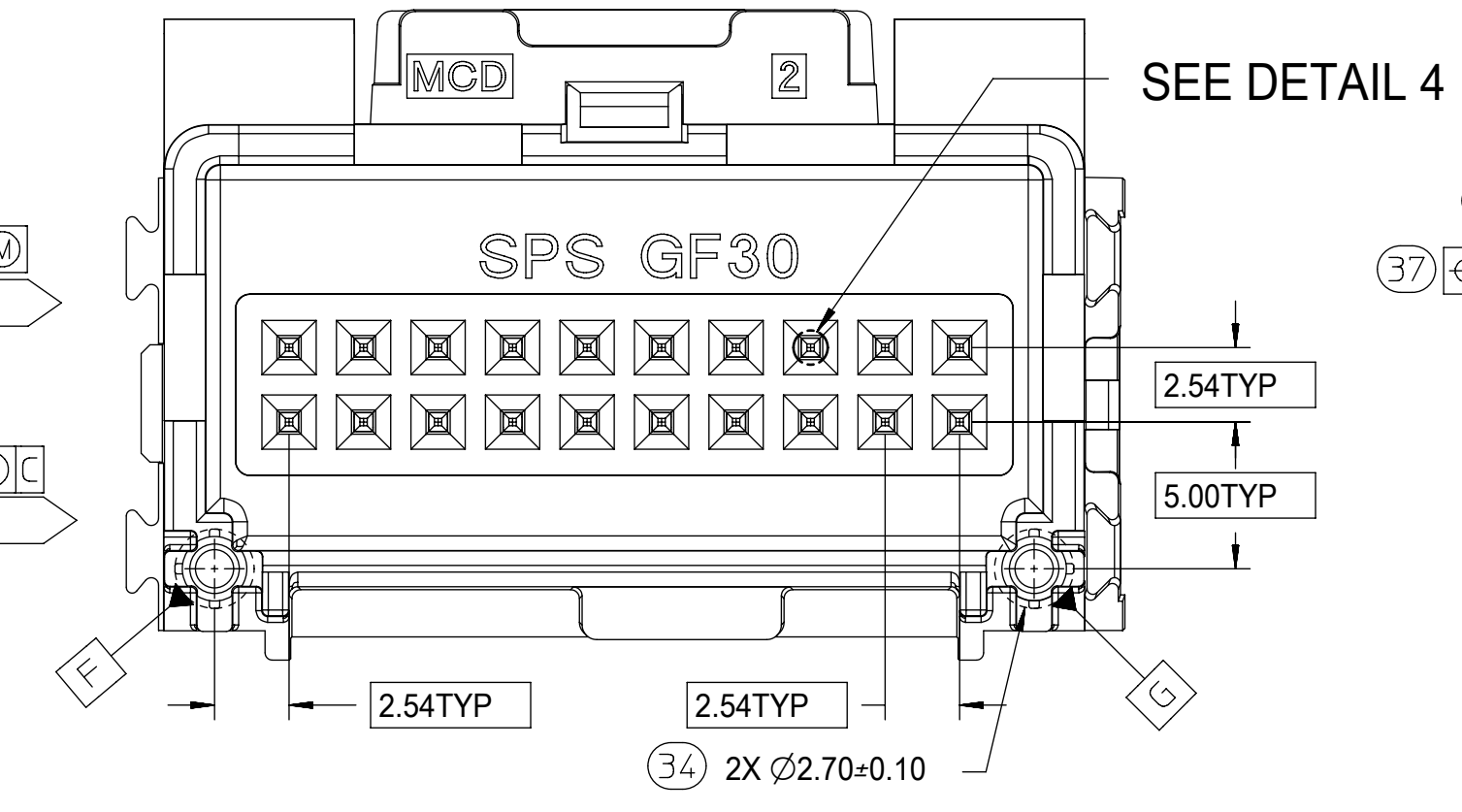
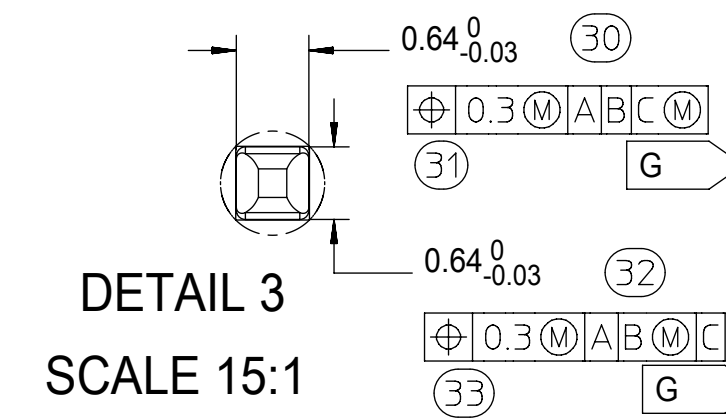
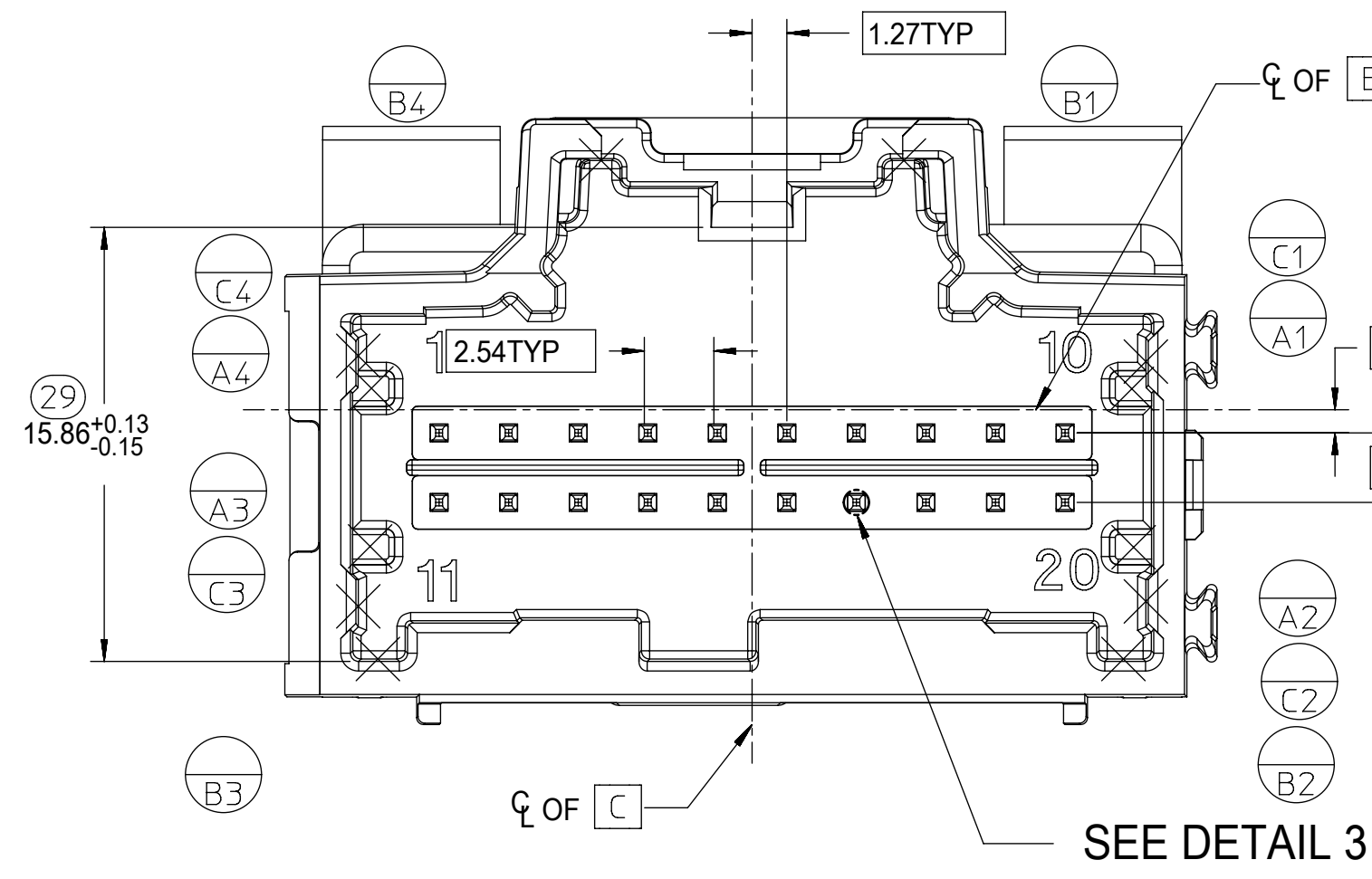
8-20CKT 0.64mm	18.40 MAX
10/14CKT Hybrid	18.59 MAX

SYMBOLS	THIS DRAWING CONTAINS INFORMATION THAT IS PROPRIETARY TO MOLEX ELECTRONIC TECHNOLOGIES, LLC AND SHOULD NOT BE USED WITHOUT WRITTEN PERMISSION		
	DIMENSION UNITS	SCALE	CURRENT REV DESC:
▽ = 0	mm	4:1	<b>molex</b> 3-BAY STAC64 VERTICAL HEADER ASSEMBLY SALES DRAWING PRODUCT CUSTOMER DRAWING
▽ = 0	GENERAL TOLERANCES (UNLESS SPECIFIED)		
▽ = 0	ANGULAR TOL ± 1.0°		
▽ = 0	4 PLACES	±	
▽ = 0	3 PLACES	±	
▽ = 0	2 PLACES	± 0.13	EC NO: 612618 DRWN: SHANDITHAVAL 2019/02/22 CHK'D: RBAUMAN 2019/02/23 APPR: RBAUMAN 2019/02/23
▽ = 0	1 PLACE	± 0.25	INITIAL REVISION: DRWN: JDUNAJ 2009/03/10 APPR: SMARCEAU 2009/03/11
▽ = 0	0 PLACES	±	DOCUMENT NUMBER: <b>SD-34707-300</b> DOC TYPE: PSD DOC PART: 001 REVISION: K2
▽ = 0	DRAFT WHERE APPLICABLE MUST REMAIN WITHIN DIMENSIONS	THIRD ANGLE PROJECTION	MATERIAL NUMBER: SEE TABLE CUSTOMER: GENERAL MARKET SHEET NUMBER: 2 OF 4
▽ = 0		D-SIZE	SERIES: 34707 DRAWING: D-SIZE SCALE: 4:1

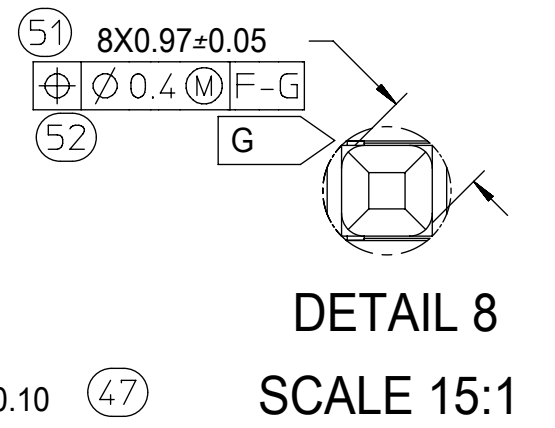
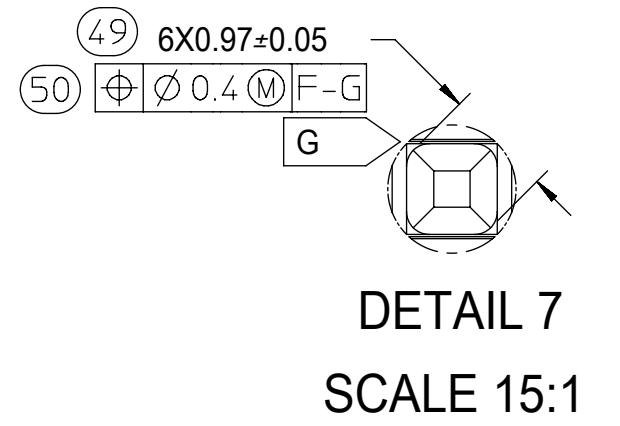
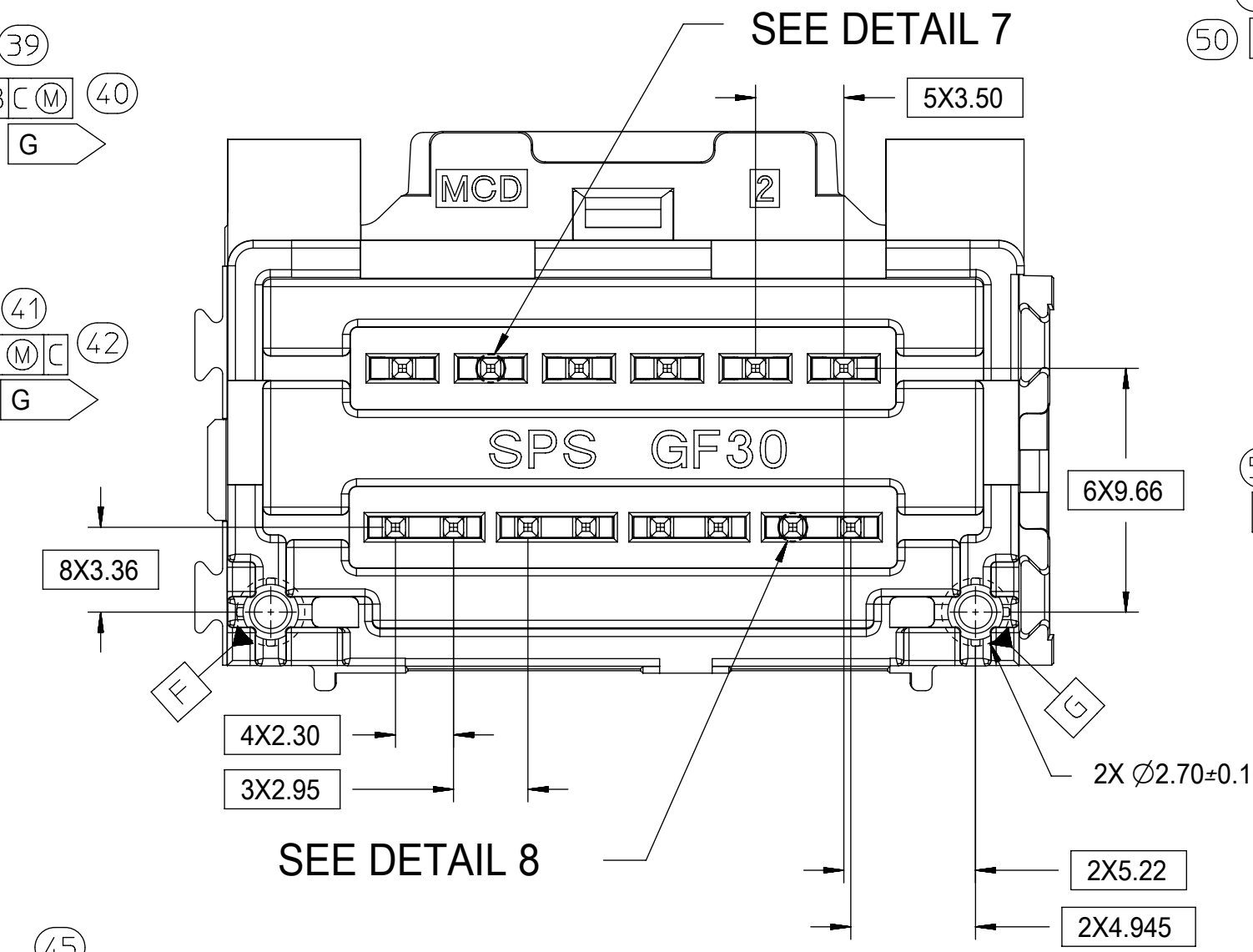
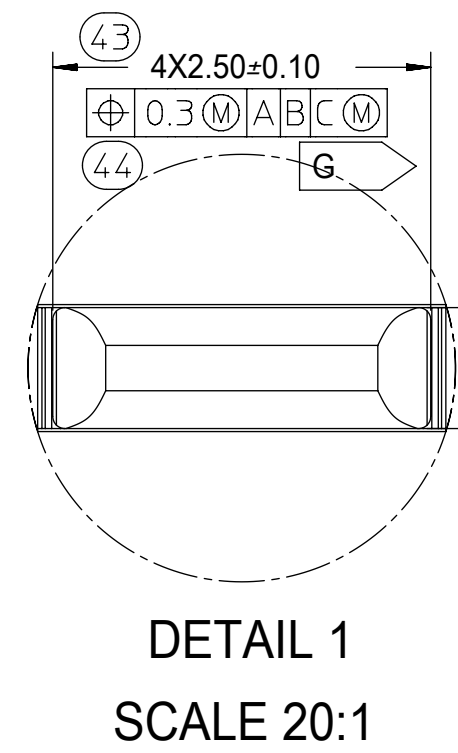
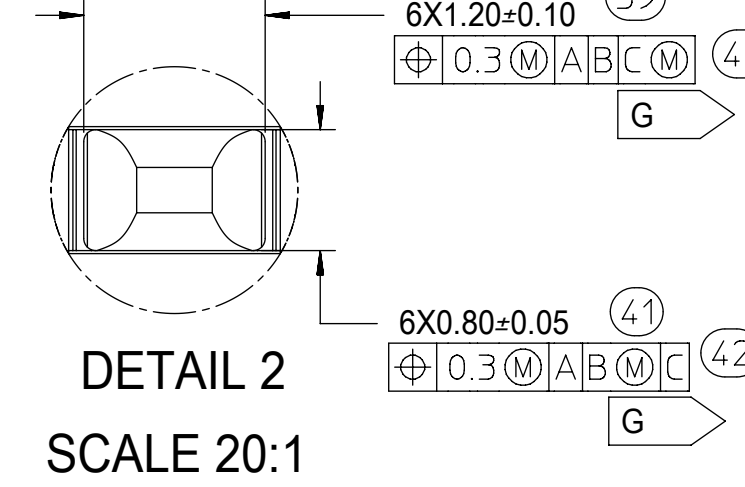
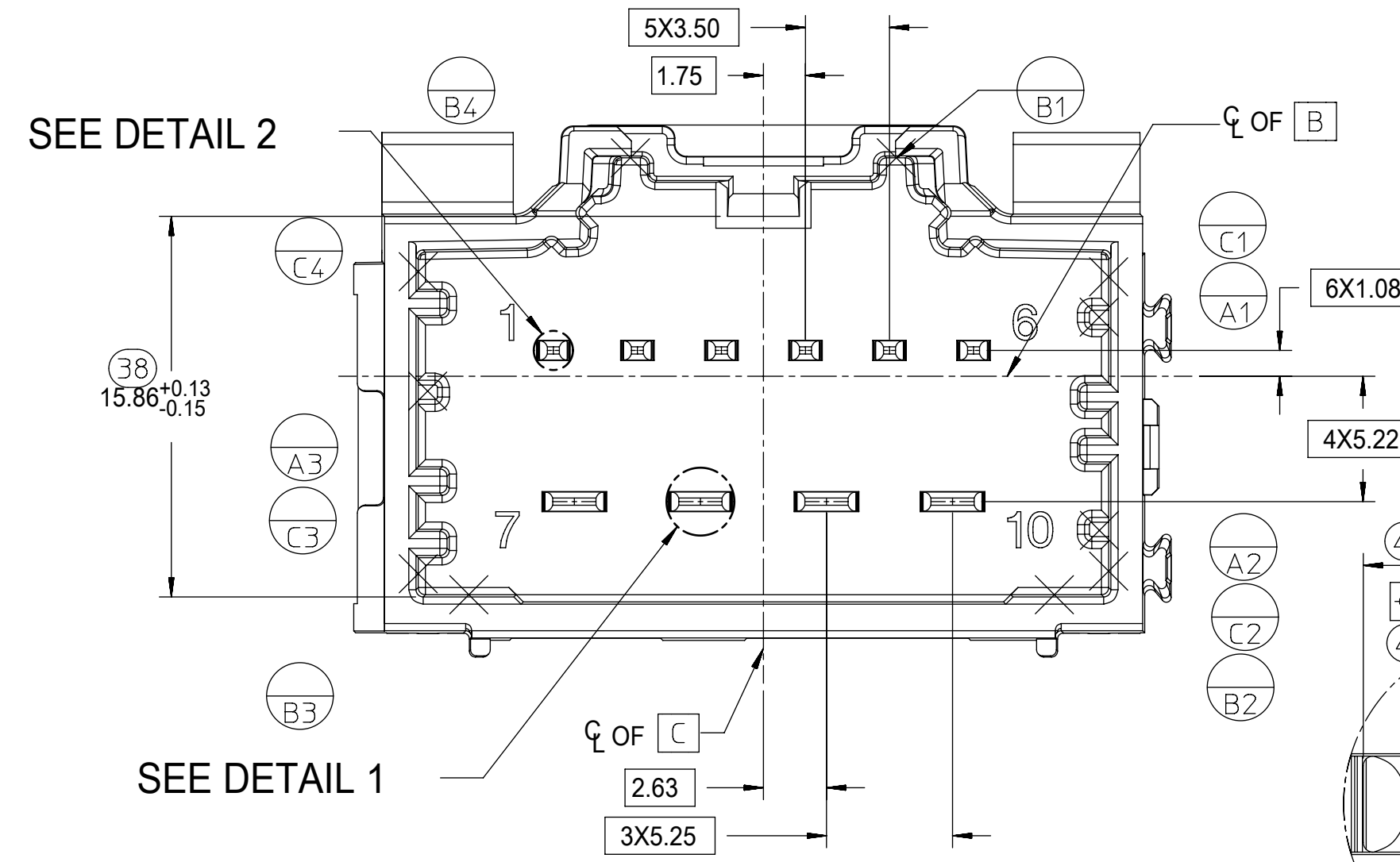
# 14CKT STAC HYBRID HEADER DETAILS



# 8-20CKT STAC 0.64mm HEADER DETAILS

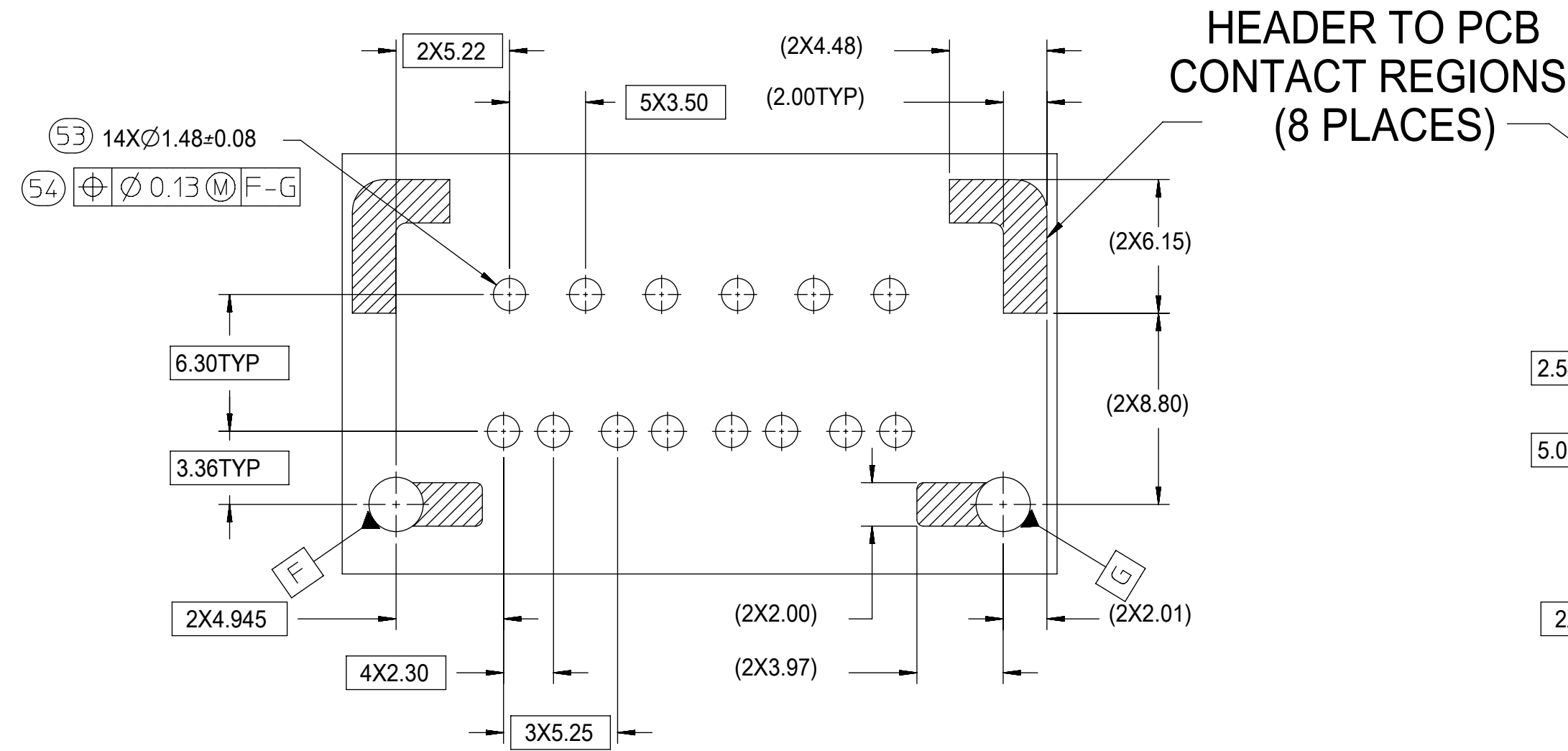


# 10CKT STAC HYBRID HEADER DETAILS

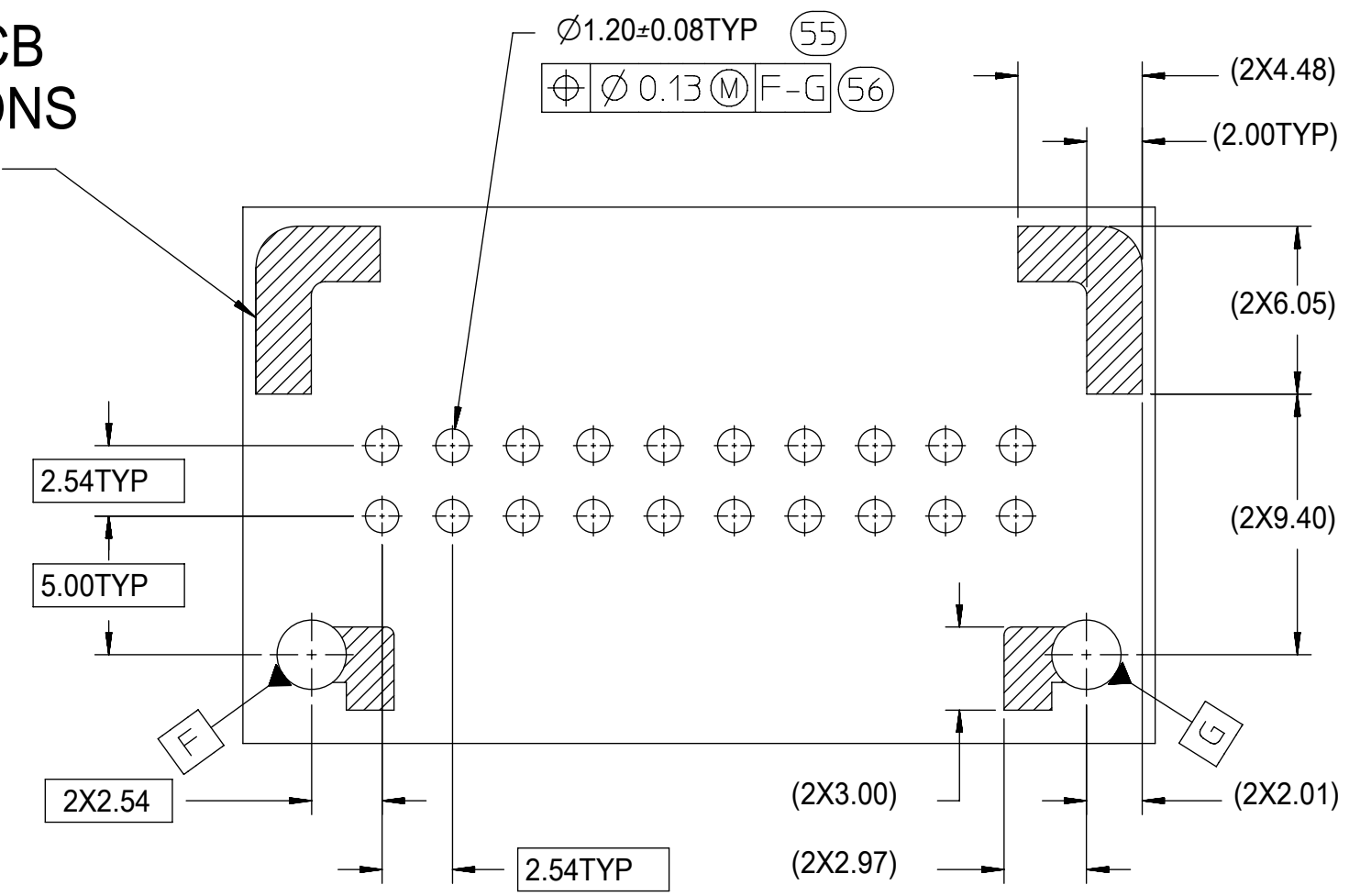


SYMBOLS	THIS DRAWING CONTAINS INFORMATION THAT IS PROPRIETARY TO MOLEX ELECTRONIC TECHNOLOGIES, LLC AND SHOULD NOT BE USED WITHOUT WRITTEN PERMISSION		CURRENT REV DESC:		<b>molex</b>
	DIMENSION UNITS	SCALE	EC NO: 612618		
▽ = 0	mm	4:1	DRWN: SHANDITHAVAL 2019/02/22		PRODUCT CUSTOMER DRAWING
▽ = 0	GENERAL TOLERANCES (UNLESS SPECIFIED)		CHK'D: RBAUMAN 2019/02/23		
▽ = 0	ANGULAR TOL ± 1.0°		APPR: RBAUMAN 2019/02/23		DOCUMENT NUMBER
▽ = 0	4 PLACES ±		INITIAL REVISION:		DOC TYPE
▽ = 0	3 PLACES ±		DRWN: JDUNAJ 2009/03/10		DOC PART
▽ = 0	2 PLACES ± 0.13		APPR: SMARCEAU 2009/03/11		REVISION
▽ = 0	1 PLACE ± 0.25		DRAFT WHERE APPLICABLE MUST REMAIN WITHIN DIMENSIONS		SD-34707-300
▽ = 0	0 PLACES ±		THIRD ANGLE PROJECTION		PSD 001 K2
⊗ = 0	DRAFT WHERE APPLICABLE MUST REMAIN WITHIN DIMENSIONS		DRAWING SERIES		GENERAL MARKET
⊗ = 0	DRAFT WHERE APPLICABLE MUST REMAIN WITHIN DIMENSIONS		D-SIZE 34707		SHEET NUMBER
⊗ = 0	DRAFT WHERE APPLICABLE MUST REMAIN WITHIN DIMENSIONS		MATERIAL NUMBER		SEE TABLE
⊗ = 0	DRAFT WHERE APPLICABLE MUST REMAIN WITHIN DIMENSIONS		CUSTOMER		3 OF 4

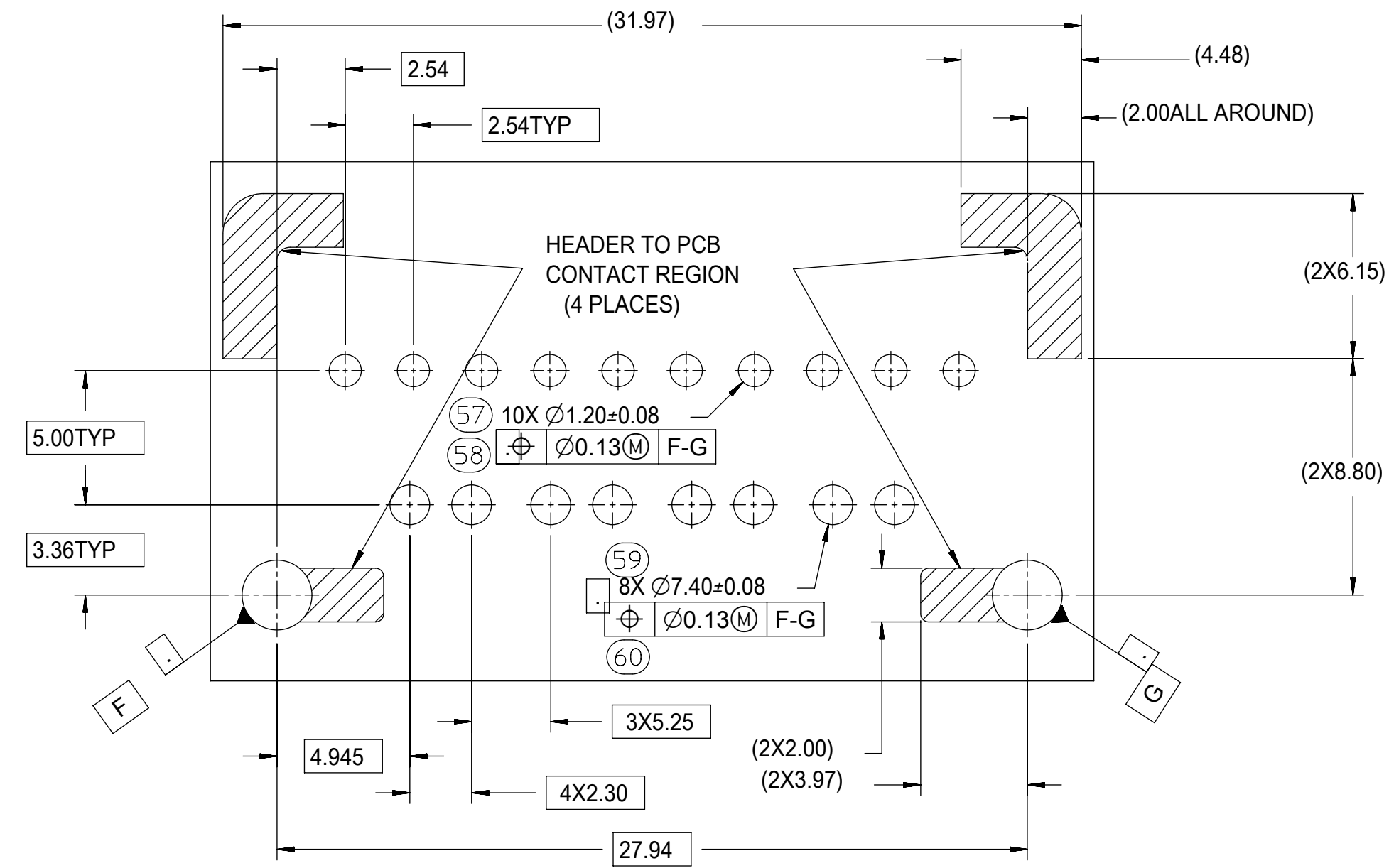
10 CKT HYBRID TEMPLATE  
PCB LAYOUT



8-20 CKT 0.64mm TEMPLATE  
PCB LAYOUT



14 CKT HYBRID TEMPLATE  
PCB LAYOUT



SYMBOLS	THIS DRAWING CONTAINS INFORMATION THAT IS PROPRIETARY TO MOLEX ELECTRONIC TECHNOLOGIES, LLC AND SHOULD NOT BE USED WITHOUT WRITTEN PERMISSION		
	DIMENSION UNITS	SCALE	CURRENT REV DESC:
▽ = 0	mm	4:1	EC NO: 612618 DRWN: SHANDITHAVAL 2019/02/22 CHK'D: RBAUMAN 2019/02/23 APPR: RBAUMAN 2019/02/23 INITIAL REVISION: DRWN: JDUNAJ 2009/03/10 APPR: SMARCEAU 2009/03/11
▽ = 0	GENERAL TOLERANCES (UNLESS SPECIFIED)		
▽ = 0	ANGULAR TOL ± 1.0°		
▽ = 0	4 PLACES ±		
▽ = 0	3 PLACES ±		
▽ = 0	2 PLACES ± 0.13		DOCUMENT NUMBER <b>SD-34707-300</b>
▽ = 0	1 PLACE ± 0.25		
▽ = 0	0 PLACES ±		DOC PART 001
▽ = 0	DRAFT WHERE APPLICABLE MUST REMAIN WITHIN DIMENSIONS		REVISION K2
⊕	THIRD ANGLE PROJECTION	DRAWING	MATERIAL NUMBER SEE TABLE
⊕		SERIES	CUSTOMER GENERAL MARKET
⊕		D-SIZE	SHEET NUMBER 4 OF 4
⊕		34707	