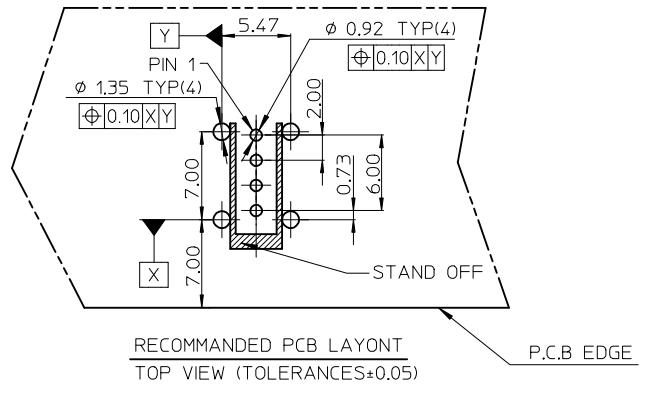


NOTES:

- MATERIAL:
SHELL: BRASS
REAR SHIELD: SPCC
HOUSING:THERMOPLASTIC POLYMER, GLASS FIBER FILLED, UL94V-0, COLOR BLACK.
CONTACT: PHOSPHOR BRONZE
- PLATING:
TERMINAL:
CONTACT AREA:GOLD(Au), THICKNESS=30 MICROINCH MINIMUM.
SOLDER TAIL:TIN (Sn), ALLOY,THICKNESS=120 MICROINCH MINIMUM.
UNDER PLATED:NICKEL(Ni).
METAL SHELL:
NICKEL(Ni),THICKNESS=120 MICROINCH MINIMUM.
UNDER PLATE: COPPER(Cu).
- RECOMMENDED PCB THICKNESS:1.60mm±0.05mm
- PRODUCT SPECIFICATION: PS-48204-001
- PACKAGE: PK-48204-001
- TEST SUMMARY: TS-48204-001



REVISE EC NO: SH2016-0209 DRWN:FYANG05 2015/12/18 CHKD: APPR:RZHANG 2016/04/21 REV	QUALITY SYMBOLS	GENERAL TOLERANCES (UNLESS SPECIFIED)	DIMENSION STYLE	SCALE	DESIGN UNITS	THIRD ANGLE PROJECTION	
	$\nabla=0$ $\triangle=0$	mm INCH 4 PLACES ± --- ± --- 3 PLACES ± --- ± --- 2 PLACES ± 0.25 ± --- 1 PLACE ± 0.25 ± --- ANGULAR ± 3 °	MM ONLY	1:1	METRIC		
		DRAFT WHERE APPLICABLE MUST REMAIN WITHIN DIMENSIONS	DRAWN BY DATE COLIN DUAN 2005/01/25 CHECKED BY DATE ALLEN LIN 2005/01/25 APPROVED BY DATE WILSON CHANG 2005/01/25	TITLE	USB A TYPE UP-RIGHT REVERSE CONNECTOR (LEAD FREE VERSION)		
			MATERIAL NO. 48204-0001	DOCUMENT NO. SD-48204-001	MOLEX INCORPORATED		
			SIZE A3	THIS DRAWING CONTAINS INFORMATION THAT IS PROPRIETARY TO MOLEX INCORPORATED AND SHOULD NOT BE USED WITHOUT WRITTEN PERMISSION			SHEET NO. 1 OF 1