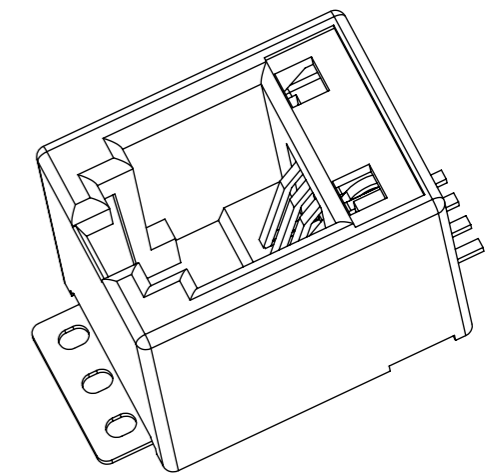
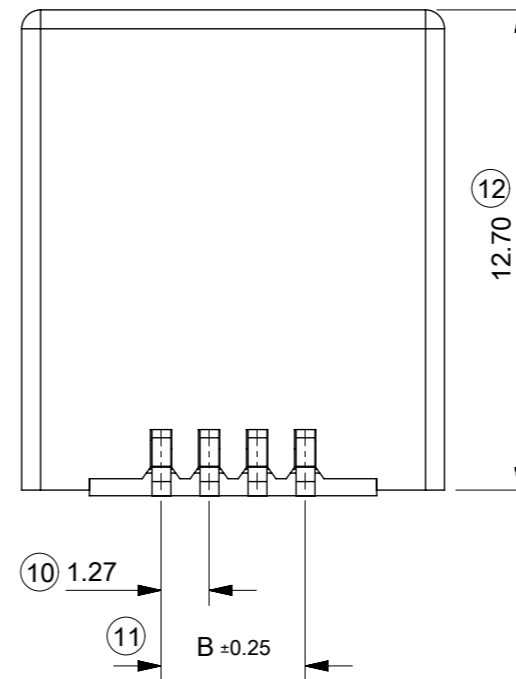


**NOTES:**

1. MATERIAL:  
HOUSING: LCP GLASS FILLED UL 94-VO, COLOUR BLACK,  
TERMINAL: COPPER ALLOY PLATED WITH:  
BASE FINISH: NICKEL  
CONTACT SURFACE FINISH:  
GOLD,  
OR  
GOLD FLASH OVER PALLADIUM NICKEL.  
EXCEEDS PRODUCT REQUIREMENTS BASED ON PS-85513-002
2. JACK FOR MATING WITH IEC 60603-7 AND TIA-1096-A PLUGS (MOLEX 90075 SERIES).
3. PRODUCT SPECIFICATION: PS-85513-002.
4. PACKAGING SPECIFICATION (SEE CHART SHEET2):  
PK-85513-001 SHEET 3 (BLISTER ON REEL 13")  
PK-85133-001 SHEET 1 (BLISTER ON REEL 15")  
PK-85513-001 SHEET 2 (BLISTER ON REEL 22")
5. FLAT SURFACE ON BOTH SIDES FOR PICK AND PLACE PURPOSE
6. COPLANARITY OF LEADS AND TABS: 0.10 MAX
7. SEE RECOMMENDED PCB LAYOUT ON SHEET 2
8. FOR DRAWING PURPOSE, ONLY 4/4 VERSION SHOWN.
9. MANUFACTURING I.D CAN BE EITHER MXF, MG, MXI OR MXCH.
10. APPLICATION SPEC AS-85513-001
11. OPTIONAL PICK & PLACE TAPE

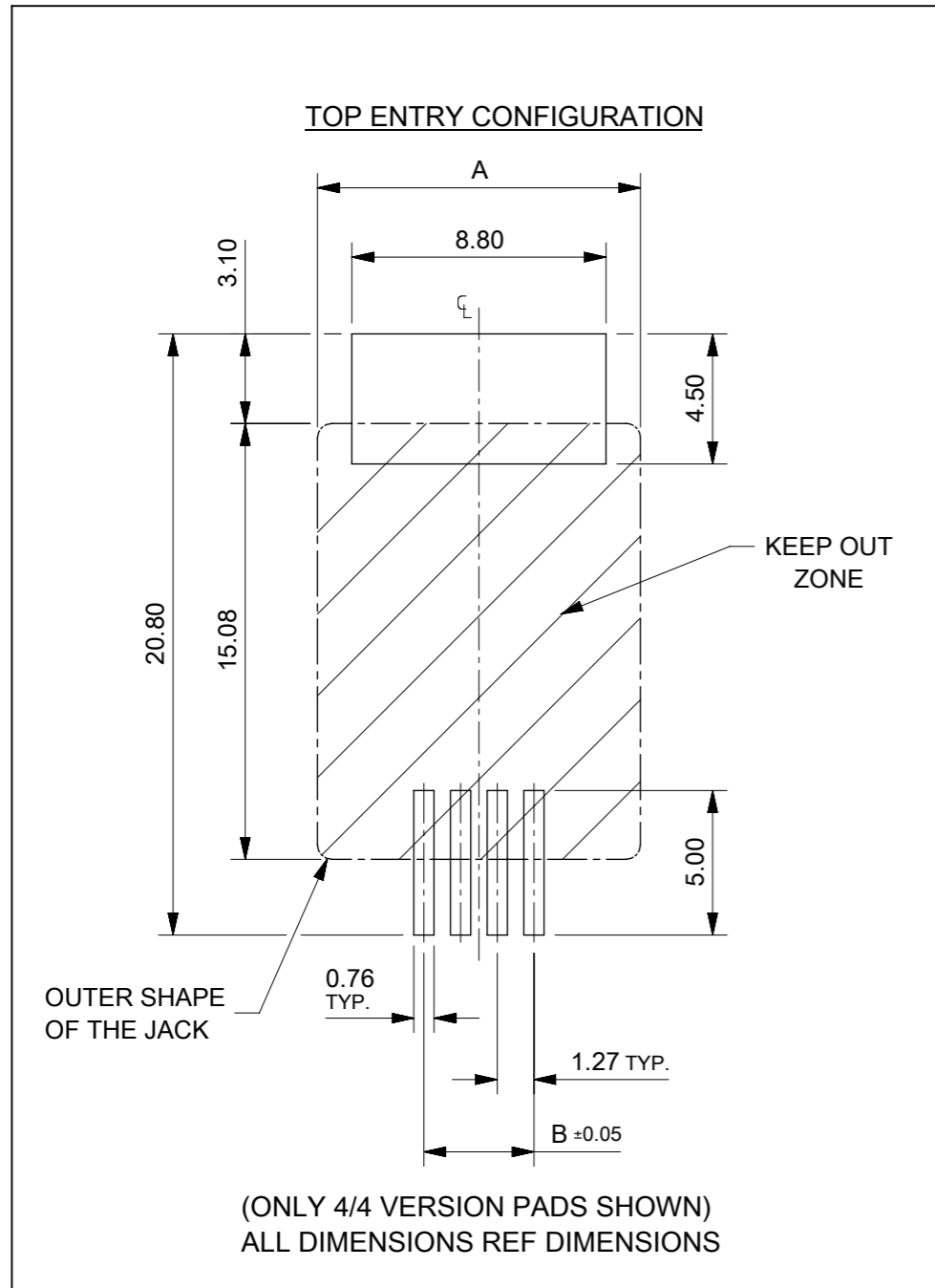
LAST INSPECTION NO.: 14



ISOMETRIC VIEW  
(NOT SCALED)

THIS DRAWING CONTAINS INFORMATION THAT IS PROPRIETARY TO MOLEX ELECTRONIC TECHNOLOGIES, LLC AND SHOULD NOT BE USED WITHOUT WRITTEN PERMISSION									
DIMENSION UNITS	SCALE	CURRENT REV DESC: OBSOLETE PART NUMBERS AS PER PCN#508521							
mm	5:1								
GENERAL TOLERANCES (UNLESS SPECIFIED)									
ANGULAR TOL ± 2.0 °		<b>LOW PROFILE TOP ENTRY TRUE SMT JACK WITH P&amp;P SURFACE(SHORT VERSION)</b>							
4 PLACES	±	EC NO: 667388 DRWN: SKANDB 2021/04/23 CHK'D: GGA 2021/07/05 APPR: GGA 2021/07/05							
3 PLACES	±	<b>PRODUCT CUSTOMER DRAWING</b>							
2 PLACES	± 0.15	INITIAL REVISION: DRWN: DBYRNES 2006/08/21 APPR: EOMAHONY 2006/09/07							
1 PLACE	± 0.25	DOCUMENT NUMBER: <b>SD-85513-010</b> DOC TYPE: PSD DOC PART: 001 REVISION: H2							
0 PLACES	±	DRAFT WHERE APPLICABLE MUST REMAIN WITHIN DIMENSIONS							
THIRD ANGLE PROJECTION		DRAWING	SERIES	MATERIAL NUMBER	CUSTOMER		SHEET NUMBER		
		A3-SIZE	85513	SEE CHART	GENERAL MARKET		1 OF 2		

RECOMMENDED PCB LAYOUTS  
(SEE FROM COMPONENT SIDE)



PART NO.	PICK & PLACE TAPE	HOUSING SIZE	LOADED CKTS	TOOLED	A	B	C	PACKAGING	PACKAGING SPEC.
85513-5013	NO	8	8	YES	15.24	8.89	14.40 +2 -4	BLISTER ON REEL 13"	PK-85513-001 SHEET 3
85513-5113	YES			YES				BLISTER ON REEL 15"	PK-85513-001 SHEET 1
85513-5001	NO			YES				BLISTER ON REEL 22"	PK-85513-001 SHEET 2
85513-5009	NO	6	6	YES	13.21	6.35	12.40 +2 -4	BLISTER ON REEL 13"	PK-85513-001 SHEET 3
85513-5109	YES			YES				BLISTER ON REEL 15"	PK-85513-001 SHEET 1
85513-5014	NO			YES				BLISTER ON REEL 22"	PK-85513-001 SHEET 2
85513-5114	YES	6	4	YES	13.21	3.81	12.40 +2 -4	BLISTER ON REEL 13"	PK-85513-001 SHEET 3
85513-5002	NO			YES				BLISTER ON REEL 15"	PK-85513-001 SHEET 1
85513-5010	NO			YES				BLISTER ON REEL 22"	PK-85513-001 SHEET 2
85513-5015	NO	6	4	YES	13.21	3.81	12.40 +2 -4	BLISTER ON REEL 13"	PK-85513-001 SHEET 3
85513-5115	YES			YES				BLISTER ON REEL 13"	PK-85513-001 SHEET 3
85513-5016	NO			YES				BLISTER ON REEL 13"	PK-85513-001 SHEET 3
85513-5116	YES	4	4	YES	11.18	3.81	10.40 +4 -2	BLISTER ON REEL 13"	PK-85513-001 SHEET 3
85513-5004	NO			YES				BLISTER ON REEL 15"	PK-85513-001 SHEET 1
85513-5012	NO			YES				BLISTER ON REEL 22"	PK-85513-001 SHEET 2

THIS DRAWING CONTAINS INFORMATION THAT IS PROPRIETARY TO MOLEX ELECTRONIC TECHNOLOGIES, LLC AND SHOULD NOT BE USED WITHOUT WRITTEN PERMISSION									
DIMENSION UNITS <b>mm</b>	SCALE <b>1:1</b>	CURRENT REV DESC: OBSOLETE PART NUMBERS AS PER PCN#508521							
GENERAL TOLERANCES (UNLESS SPECIFIED)		EC NO: 667388							
ANGULAR TOL ± 2.0°		DRWN: SKANDB 2021/04/23			PRODUCT CUSTOMER DRAWING				
4 PLACES ±		CHK'D: GGA 2021/07/05							
3 PLACES ±		APPR: GGA 2021/07/05			DOC TYPE DOC PART REVISION PSD 001 H2				
2 PLACES ± 0.15		INITIAL REVISION:							
1 PLACE ± 0.25		DRWN: DBYRNES 2006/08/21			SHEET NUMBER 2 OF 2				
0 PLACES ±		APPR: EOMAHONY 2006/09/07							
DRAFT WHERE APPLICABLE MUST REMAIN WITHIN DIMENSIONS		DRAWING A3-SIZE		SERIES 85513		CUSTOMER GENERAL MARKET			SHEET NUMBER 2 OF 2