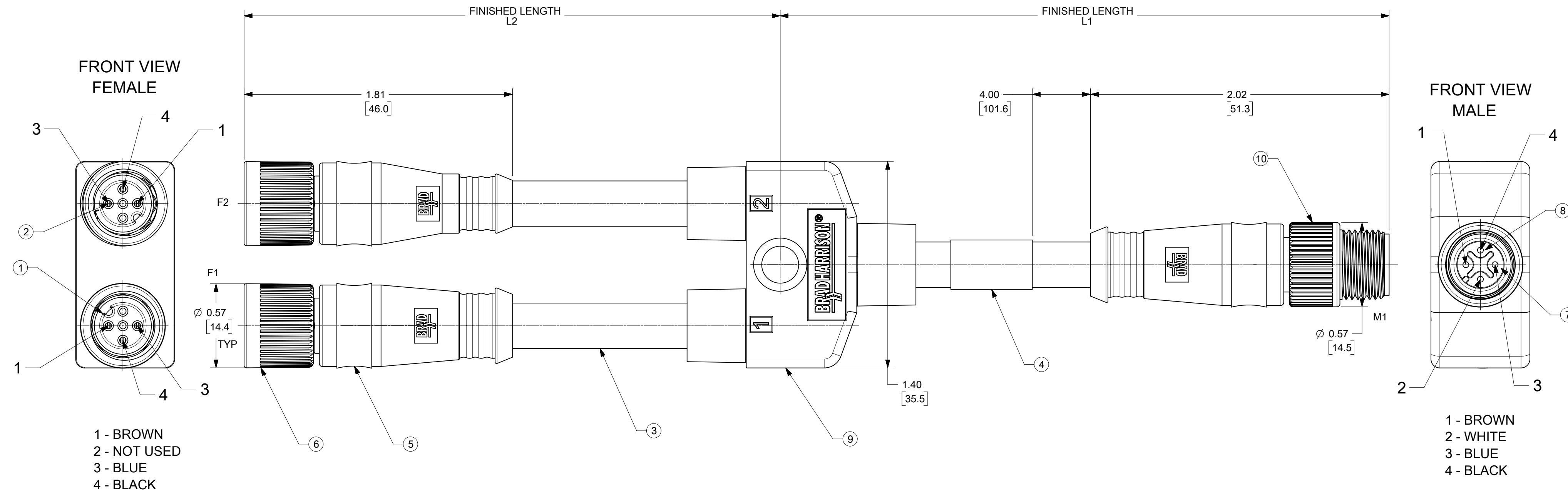


SAP NUMBER	ENGINEERING NUMBER	FINISHED LENGTH L1	FINISHED LENGTH L2
1200680361	884F30B33M1M4	1M (3FT)	4M (13FT)

CABLE LENGTH TOLERANCES	
>.3M [1FT]:	+19mm-0 [+1.75in-0]
.3 - .9M [1 - 3FT]:	+44.5mm-0 [+1.75in-0]
.9 - 1.8M [3 - 6FT]:	+55.6mm-0 [+2.19in-0]
1.8 - 3.7M [6 - 12FT]:	+88.9mm-0 [+3.50in-0]
3.7 - 7.3M [12 - 24FT]:	+165.1mm-0 [+6.50in-0]
7.3-14.6M [24 - 48FT]:	+317.5mm-0 [+12.50in-0]
14.6 - 30.5M [48-100FT]:	+622.3mm-0 [+24.50in-0]
OVER 30M [100FT]	+2% OF FINISHED LENGTH



- NOTES:
- 1) MATERIAL: SEE TABLE
 - 2) FINISHES: SEE TABLE
 - 3) ELECTRICAL DATA:
VOLTAGE: 250 VOLTS
CURRENT: 4 AMPS
 - 4) TEMP RATING: -20°C TO 80°C
 - 5) COUPLING THREADS: M12X1
 - 6) IP67 WHEN FULLY MATED
 - 7) ALL DIMS ARE FOR REFERENCE UNLESS TOLERANCED OR OTHERWISE NOTED

PART NUMBER MATRIX
88F30B33M1M4

LENGTH
L1L2
M1 = 1 METER
M4 = 4 METERS

ITEM	DESCRIPTION	MATERIAL	FINISH
10	COUPLING NUT - MALE	ZINC DIE-CAST	BLACK
9	OVERMOLD - SPLITTER	TPC	YELLOW
8	PIN CONTACT	COPPER ALLOY	GOLD PLATED
7	MALE INSERT	NYLON	BLACK
6	COUPLING NUT - FEMALE	ZINC DIE-CAST	BLACK
5	OVERMOLD	TPC	YELLOW
4	WRAP LABEL	PLASTIC FILM	BLACK/YELLOW
3	CABLE 22 AWG	PVC	GRAY
2	SOCKET CONTACT	COPPER ALLOY	GOLD PLATED
1	FEMALE INSERT	NYLON	BLACK

FUNCTIONAL SYMBOLS FA = 0 FC = 0 FP = 0	THIS DRAWING CONTAINS INFORMATION THAT IS PROPRIETARY TO MOLEX ELECTRONIC TECHNOLOGIES, LLC AND SHOULD NOT BE USED WITHOUT WRITTEN PERMISSION	SCALE 2:1	CURRENT REV DESC: INITIAL RELEASE	
	DIMENSION UNITS INCH/MM	GENERAL TOLERANCES (UNLESS SPECIFIED)	molex MIC 4PM/3PFM SPLITTER 22AWG	
	ANGULAR TOL ± °	4 PLACES ±		
	DIVISIONAL SYMBOLS	3 PLACES ±	EC NO: 638184 DRWN: CCHRSTKA 2020/05/21 CHK'D: MZIELINSKI 2020/05/28 APPR: BWOODMAN 2020/06/01	
	2 PLACES ±	INITIAL REVISION: DRWN: CCHRSTKA 2020/05/21 APPR: BWOODMAN 2020/06/01		
	1 PLACE ±	PRODUCT CUSTOMER DRAWING DOCUMENT NUMBER: 1200680361 DOC TYPE: PSD DOC PART: 000 REVISION: A		
	0 PLACES ±	DRAFT WHERE APPLICABLE MUST REMAIN WITHIN DIMENSIONS THIRD ANGLE PROJECTION DRAWING: C-SIZE SERIES: 120068 MATERIAL NUMBER: SEE TABLE CUSTOMER: SHEET NUMBER: 1 OF 1		