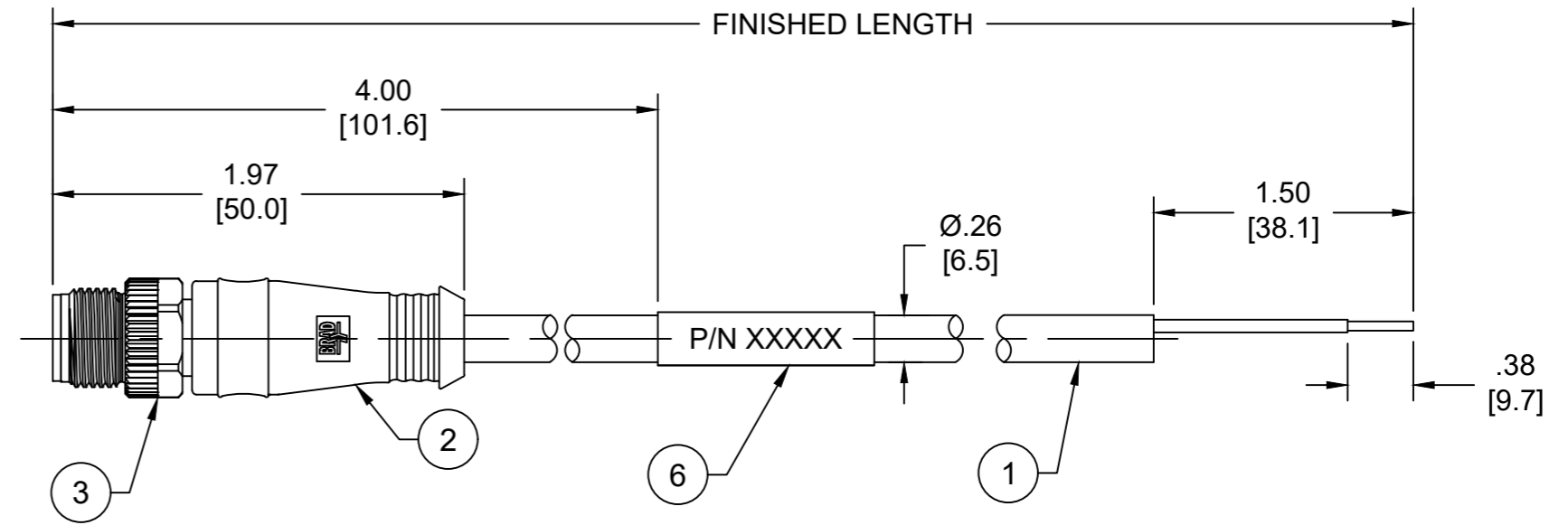
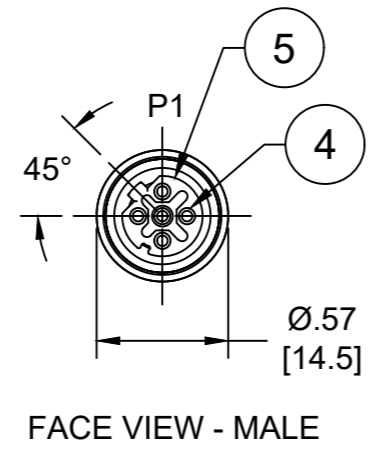


PART NUMBER LEGEND
E10A00616M020

FINISHED LENGTH
M005 - 0.5 METER
M010 - 1 METER
M200 - 20 METER

| MATERIAL NUMBER | ENGINEERING NUMBER | FINISHED LENGTH |
|-----------------|--------------------|-----------------|
| 1201088542 | E10A00616M020 | 2M [6FT 7 IN] |
| 1201088545 | E10A00616M200 | 20M[65FT 7 IN] |
| 1201088547 | E10A00616M500 | 50M[164FT] |

- NOTES:**
- MATERIAL: AS NOTED
 - FINISH: AS NOTED
 - ELECTRICAL:
VOLTAGE: 125V
CURRENT: 1.5A
 - PROTECTION: IP67 (WHEN MATED)
 - COUPLING THREAD: M12X1
 - ALL DIMENSIONS ARE FOR REFERENCE UNLESS TOLERANCED OR NOTED OTHERWISE



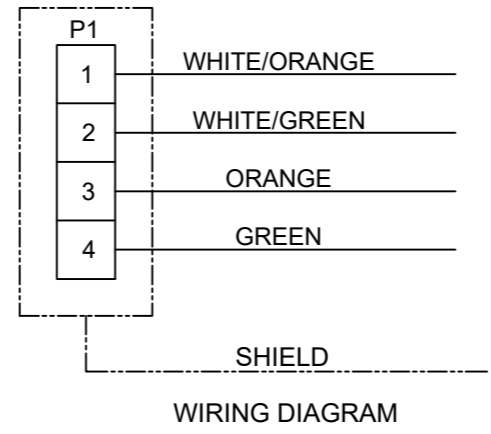
ADDITIONAL CABLE INFORMATION

PHYSICAL CHARACTERISTICS:

| | |
|---------------------|-------------------------------------------|
| CONDUCTOR SIZE | 24AWG 2 PAIR (19/0.12mm) BARE COPPER |
| INSULATION MATERIAL | POLYOLEFIN |
| SHIELD/BRAID | TINNED COPPER 85% COVERAGE |
| JACKET MATERIAL | TPU (TEAL) |
| CONDUCTOR TAPE | ORANGE, ORANGE-WHITE & GREEN, GREEN-WHITE |
| TAPE | ALUMINUM-POLYESTER |

CABLE:

| | |
|--------------------------------|------------------------|
| TEMPERATURE RATING (STORAGE) | -40 / +80°C |
| TEMPERATURE RATING (OPERATION) | -20 / +50°C |
| WELD SLAG RESISTANCE | YES, S-300 MOLEX TEST |
| FREE SUBSTANCE'S | FCKW, SILICONE, AND PB |
| FIRE PERFORMANCE | IEC60332-1, UL1581 |
| OIL RESISTANCE | ISO6722, UL758/2556 |



CABLE LENGTH TOLERANCES

| | |
|--------------------------|-------------------------|
| <.3M [1FT]: | +19mm-0 [+ .75in-0] |
| .3 - .9M [1 - 3FT]: | +44.5mm-0 [+1.75in-0] |
| .9 - 1.8M [3 - 6FT]: | +55.6mm-0 [+2.19in-0] |
| 1.8 - 3.7M [6 - 12FT]: | +88.9mm-0 [+3.50in-0] |
| 3.7 - 7.3M [12 - 24FT]: | +165.1mm-0 [+6.50in-0] |
| 7.3-14.6M [24 - 48FT]: | +317.5mm-0 [+12.50in-0] |
| 14.6 - 30.5M [48-100FT]: | +622.3mm-0 [+24.50in-0] |
| OVER 30M [100FT]: | +2% OF FINISHED LENGTH |

| ITEM | DESCRIPTION | MATERIAL | FINISH |
|------|--------------|--------------|------------------|
| 6 | WRAP LABEL | VINYL | BLACK/YELLOW |
| 5 | INSERT | PUR | BLACK |
| 4 | PIN CONTACT | COPPER ALLOY | GOLD OVER NICKEL |
| 3 | COUPLING NUT | BRASS | NICKEL PLATED |
| 2 | OVERMOLD | PUR | BLACK |
| 1 | CABLE #24AWG | TPU | TEAL |

| | | | | |
|------------------------------------------------------|-----------------------------------------------------------------------------------------------------------------------------------------------|------------------------|--------------------------------------------------------------------------------------------------------|----------------|
| FUNCTIONAL SYMBOLS | THIS DRAWING CONTAINS INFORMATION THAT IS PROPRIETARY TO MOLEX ELECTRONIC TECHNOLOGIES, LLC AND SHOULD NOT BE USED WITHOUT WRITTEN PERMISSION | | | |
| | DIMENSION UNITS | SCALE | | |
| $F=0$ $E=0$ $P=0$ | INCH/MM | NTS | EC NO: 702709 DRWN: ABENJAMINLW 2022/03/16 CHK'D: RSTONE 2022/04/11 APPR: BWOODMAN 2022/04/16 | |
| | GENERAL TOLERANCES (UNLESS SPECIFIED) | | | |
| DIVISIONAL SYMBOLS | 4 PLACES | ±---- | INITIAL REVISION: DRWN: RSTONE 2017/08/04 APPR: BWOODMAN 2017/08/11 | |
| | 3 PLACES | ±---- | | |
| | 2 PLACES | ±---- | DOCUMENT NUMBER: SD-120108-101 DOC TYPE: PSD DOC PART: 001 REVISION: B | |
| | 1 PLACE | ±---- | | |
| | 0 PLACES | ±---- | MATERIAL NUMBER: SEE CHART CUSTOMER: GENERAL MARKET SHEET NUMBER: 1 OF 1 | |
| | ANGULAR TOL | ± ---- ° | | |
| DRAFT WHERE APPLICABLE MUST REMAIN WITHIN DIMENSIONS | | THIRD ANGLE PROJECTION | DRAWING: B-SIZE | SERIES: 120108 |