

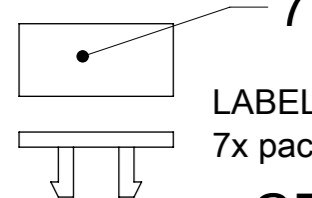
TABLE 1

MOLEX P/N	ENG. NO.	CABLE LENGTH (mm)	LED
1202470046	BEB6030-FBW-05	5000	NO
1202470047	BEB6030-FBW-10	10000	NO
1202470048	BEB6030-FBW-15	15000	NO
1202470049	BEB603P-FBW-05	5000	YES
1202470050	BEB603P-FBW-10	10000	YES
1202470051	BEB603P-FBW-15	15000	YES

TABLE 2

ITEM	COMPONENT	MATERIAL	FINISH
1	INSERT	POLYESTER	BLACK
2	CONTACT	COPPER ALLOY	GOLD OVER NICKEL
3	O-RING	VITON	RED
4	RECEPTACLE SHELL	BRASS	NICKEL PLATED
5	HOUSING	PBT	BLACK
6	CABLE	TPU	BLACK
7	LABEL	ABS	WHITE
8	LABEL ADHESIVE	PE	WHITE
9	CABLE PLATE	PBT	BLACK
10	LED	NO LED = PA WITH LED = PA	BLACK TRANSPARENT
11	RESIN	EPOXY	TRANSPARENT
12	BLANKING PLUG	PA6	BLACK

SCALE 2:1



7x packed in a bag.

GENERAL CHARACTERISTICS:

NOMINAL VOLTAGE: 24 V DC
 RATED CURRENT: 2 A PER PORT / 6 A MAX: TOTAL
 IP DEGREE OF PROTECTION: IP 67
 TEMPERATURE RANGE: -25°C to + 85°C

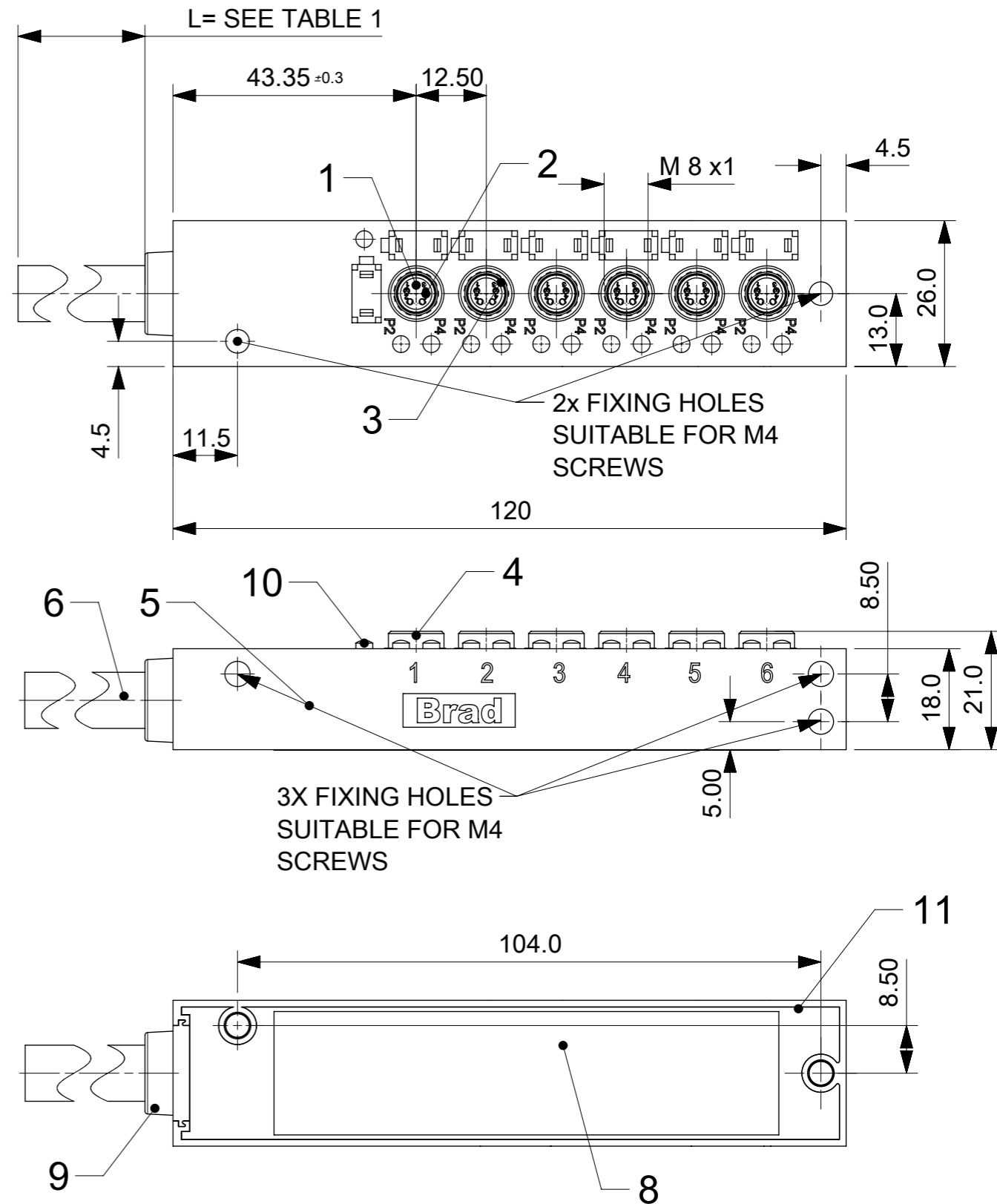
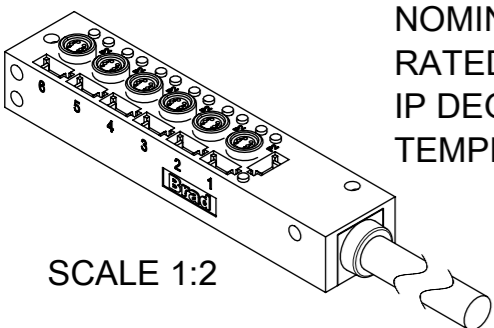


TABLE 2

CABLE LENGTH TOLERANCES	LENGTH	TOLERANCE
0m-1m	+40 mm	
>1m-5m	+60 mm	
>5m-10m	+80 mm	
>10m-20m	+140 mm	
>20m-30m	+160 mm	
>30m	+1% length	

FUNCTIONAL SYMBOLS	THIS DRAWING CONTAINS INFORMATION THAT IS PROPRIETARY TO MOLEX ELECTRONIC TECHNOLOGIES, LLC AND SHOULD NOT BE USED WITHOUT WRITTEN PERMISSION		CURRENT REV DESC:	
FA = 0	mm	SCALE 1:1		
FE = 0	GENERAL TOLERANCES (UNLESS SPECIFIED)			
FF = 0	ANGULAR TOL ± °			
DIVISIONAL SYMBOLS	4 PLACES ±	3 PLACES ±	2 PLACES ± 0.2	1 PLACE ± 0.3
	0 PLACES ± 0.5	DRAFT WHERE APPLICABLE MUST REMAIN WITHIN DIMENSIONS		THIRD ANGLE PROJECTION
		DRAWING A3-SIZE	SERIES 120247	MATERIAL NUMBER SEE TABLE 1
		CUSTOMER GENERAL MARKET	SHEET NUMBER 1 OF 2	

molex

MPIS M8 PNP NOS 4P 6PT AC FE STR BK 5M DUAL

PRODUCT CUSTOMER DRAWING

DOCUMENT NUMBER: 1202470046

DOC TYPE: PSD

DOC PART: 000

REVISION: B2

