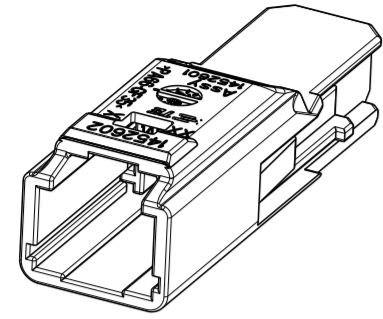
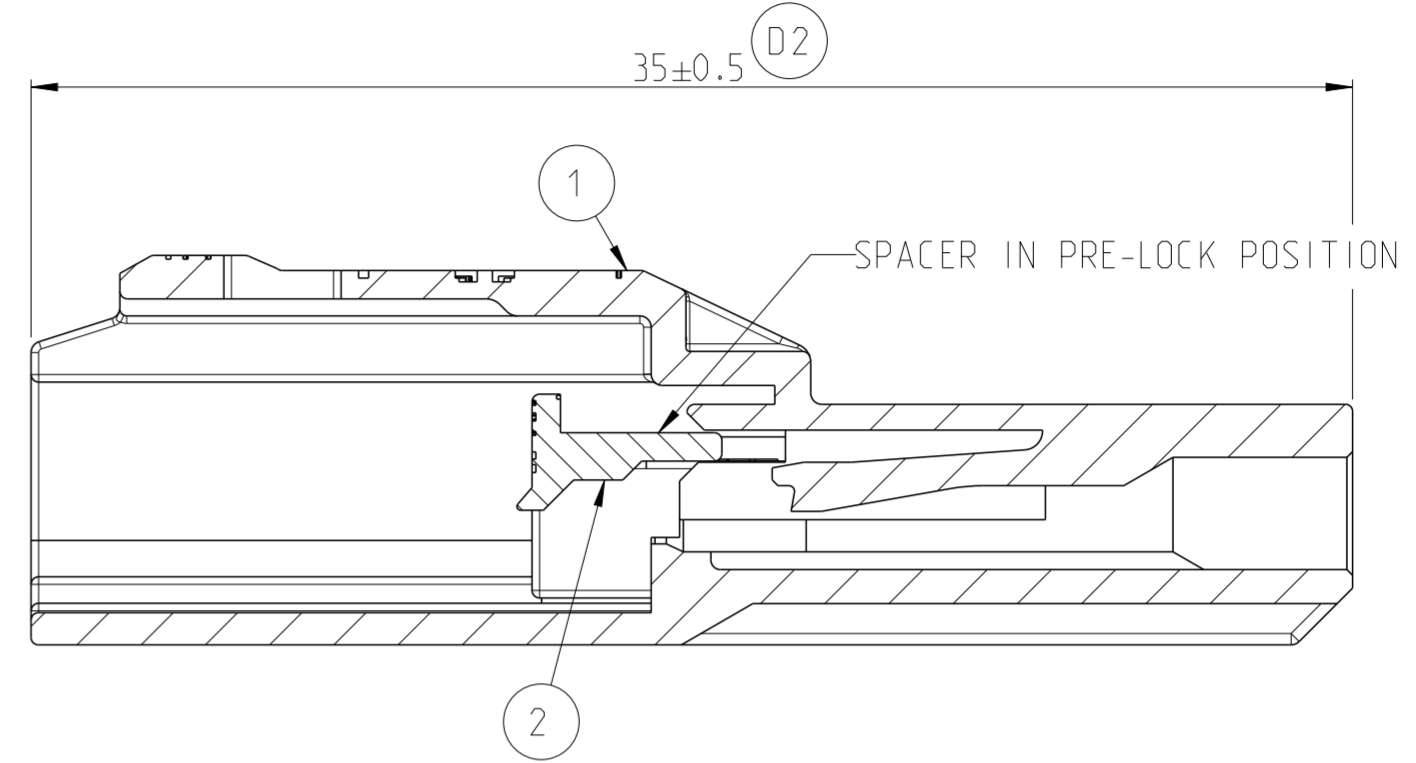
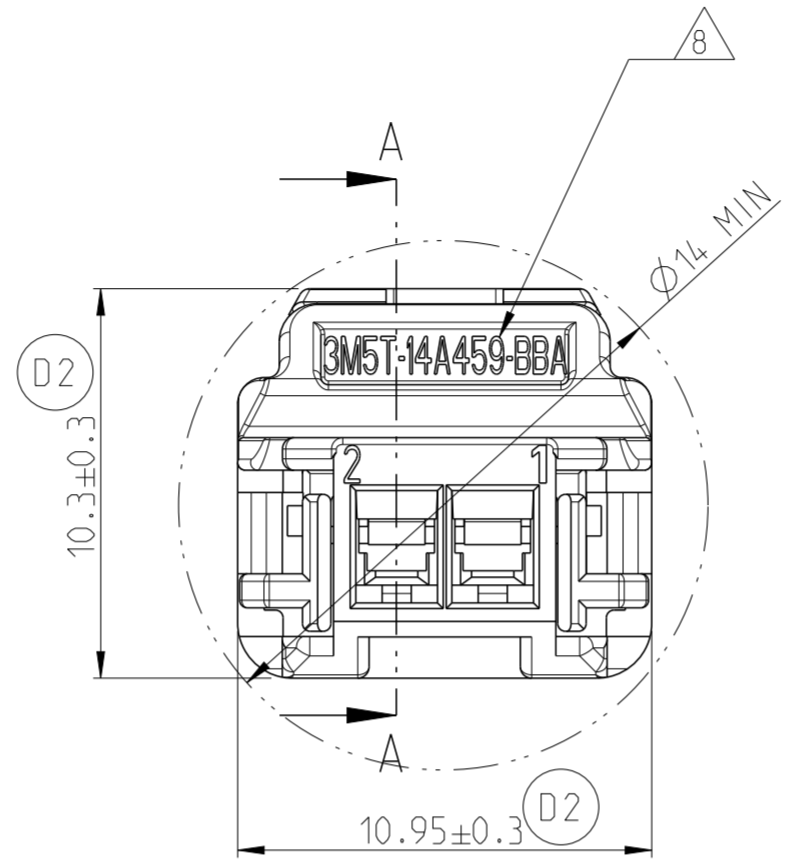
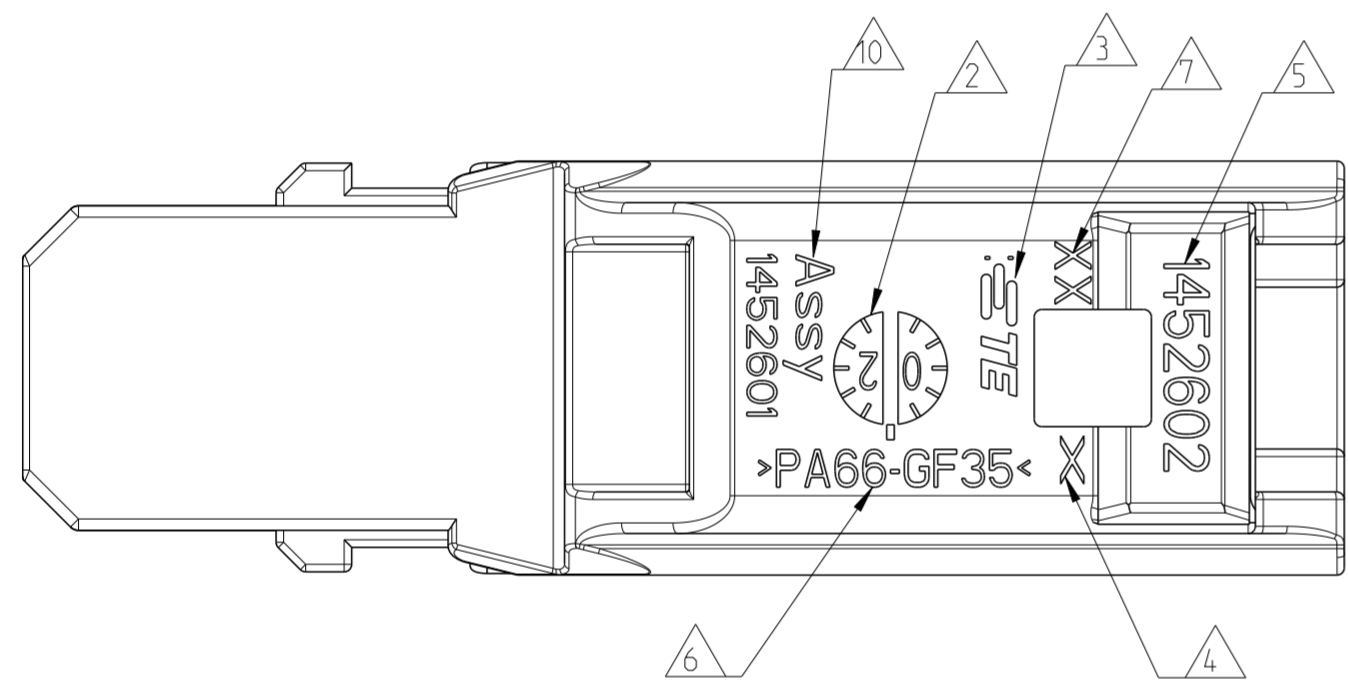
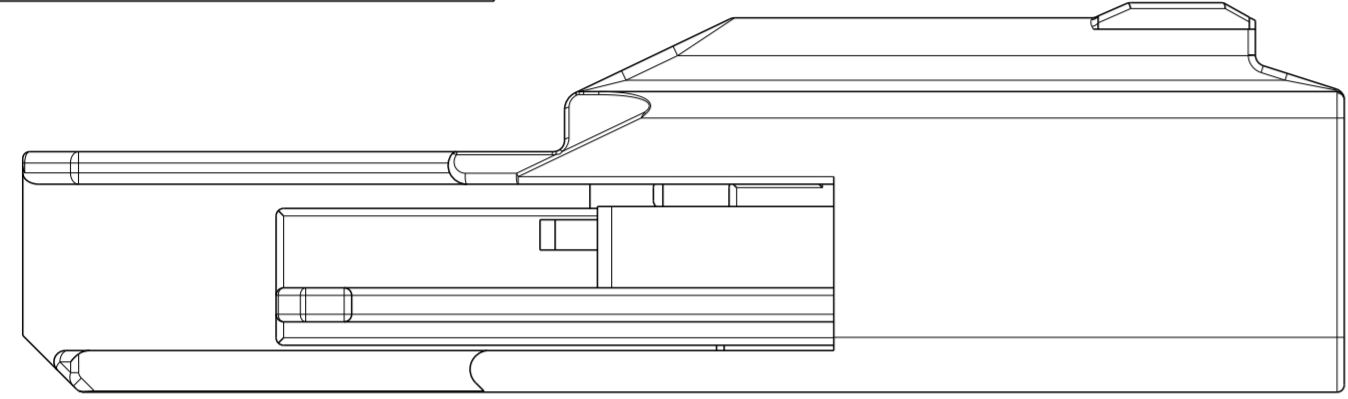


THIS DRAWING IS UNPUBLISHED. RELEASED FOR PUBLICATION 2002
 © COPYRIGHT 2002 BY - ALL RIGHTS RESERVED.

A-A		REVISIONS			
P	LTR	DESCRIPTION	DATE	DWN	APVD
D		SEE ECR-07-000103	04 JAN2007	HM	GS
D1		SEE ECR-17-016175	02NOV2017	KC	PT
D2		SEE ECR-19-001827	04FEB2019	KC	PT



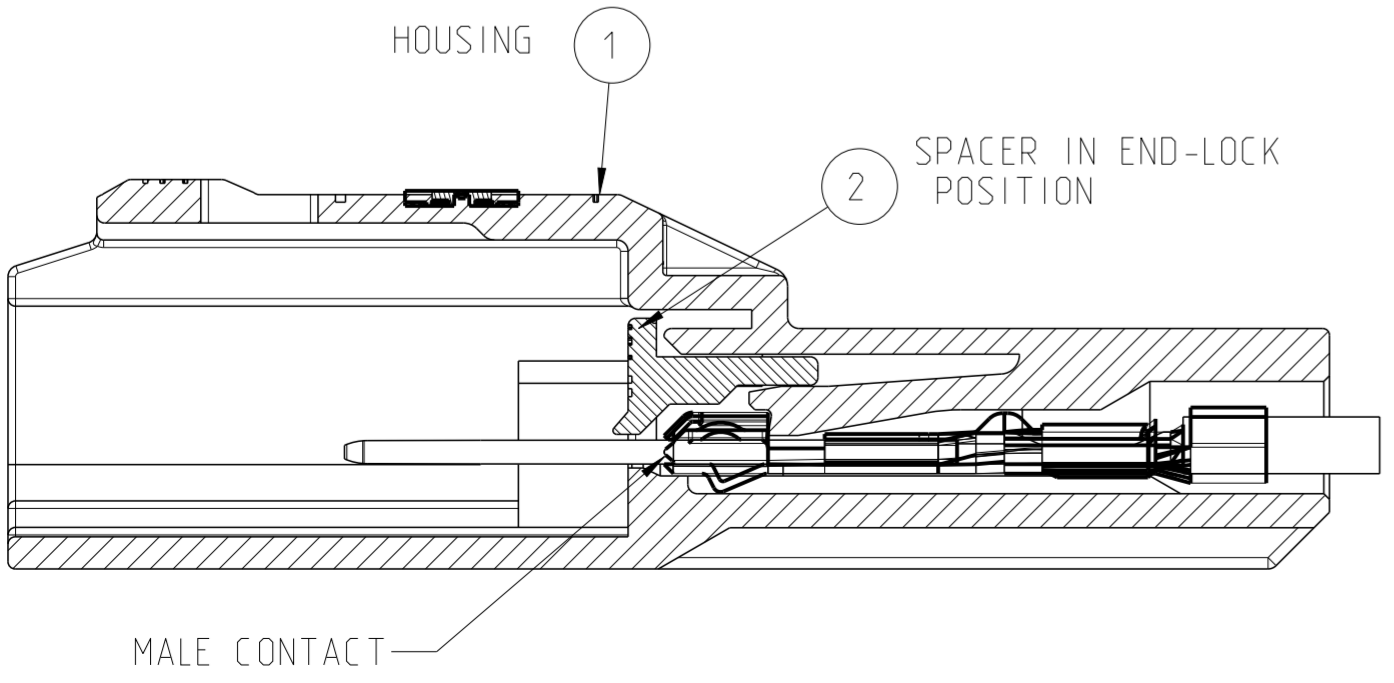
SCALE 2:1



- NOTES:
Bemerkungen:
- 1 DELIVERY CONDITION: SPACER IN PRE-INSTALLED POSITION
Lieferbedingungen: Spacer in Vorraststellung
 - 2 PRODUCTION-DATE HOUSING
Produktionsdatum Gehäuse
 - 3 TYCO-LOGO
Tyco-Logo
 - 4 CAVITY MARKING
Nestmarkierung
 - 5 TYCO-PART NUMBER HOUSING
Tyco-Teile Nummer Gehäuse
 - 6 MATERIAL IDENTIFICATION
Werkstoffkennzeichnung
 - 7 PRODUCT REVISION LEVEL HOUSING
Gehäuse-Änderungsindex
 - 8 TYCO-ASSEMBLY NUMBER
Tyco-Assemblage-Nummer
 - 9 BULK PACKAGE
Verpackung: Schuettgut
 - 10 TE-ASSY NO:
TE-Assy Nr.:

THE CONTACT IS NOT A PART OF THE DELIVERY ASSY.

APPLICABLE MALE-CONTACTS tyco-PN
3-1419158-1
1-1419158-6
2-1419158-3
2-1419158-5



ASSY PART NO	ASSY. REV.	QTY REQD PER ASSY	PART NO	DESCRIPTION	MATERIAL	COLOUR	ITEM NO
0-1452601-1	D	1x	0-1452603-1	SPACER	PBT-GF30	RED	2
		1x	0-1452602-1	MALE HOUSING	PA66-GF35	Black	1
REVISION OF EACH ASSY NO (WHEN BLANK, USE DWG REVISION)							
PARTS LIST							

THIS DRAWING IS A CONTROLLED DOCUMENT. DWN K.ROTH 21JUN2002
 CHK G.STEINBACH 10JUL2002
 APVD G.MUMPER 01AUG2002

STE TE Connectivity

NAME: 1X2 POS. GET MALE HOUSING ASSEMBLY UNSEALED

SIZE: A2 CAGE CODE: 00779 DRAWING NO: 1452601 RESTRICTED TO: 02

SCALE: 5:1 SHEET: 1 OF 1

RESTRICTED CUSTOMER