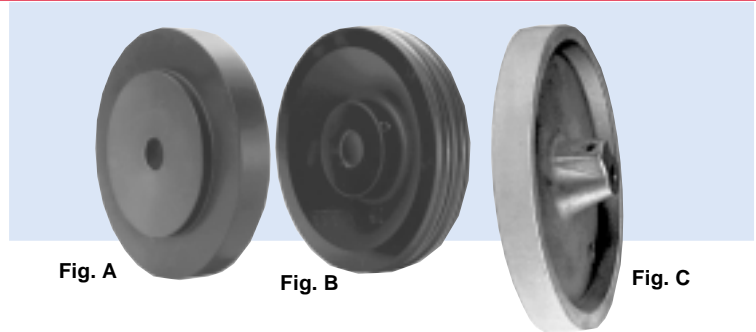


# Measuring Wheels

- Fit most Dynapar brand Encoders
- Rubber, Phenolic and O-Ring Surfaces
- Fast, Easy Attachment



## SPECIFICATIONS

For materials with normal slip characteristics, precisely machined phenolic wheels provide maximum accuracy over the widest temperature range — better than aluminum or urethane. Where traction with reasonable accuracy and lower cost is required, the non-marking white rubber wheel is recommended.

Model No.	Fig.	Description/Shaft Bore	Measuring Circumference
16002070010	A	Phenolic; 1/2" bore Temperature Rating = -30 to +140°C	12"
16002070177	A	Phenolic; 3/8" bore Temperature Rating = -30 to +140°C	12"
112919-0001	C	White rubber; 3/8" bore Temperature Rating = -30 to +70°C	12"

For materials with high slip characteristics. Dual "O" rings prevent slip but must be compressed to allow the phenolic surface to accurately measure. This requires 8 lbs. pressure per wheel and is best suited to the Series 60 encoders.

Model No.	Fig.	Description/Shaft Bore	Measuring Circumference
16002070011	B	for Series 60 Rotopulsers, 1/2" bore Temperature Rating: -30 to +70°C	12"
16002070284	B	for encoders with 3/8" shaft	12"
16002070046	B	Replacement O-ring	12"

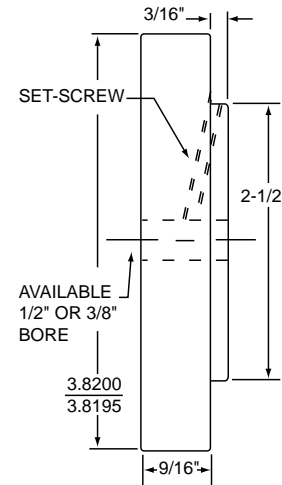


Fig. A

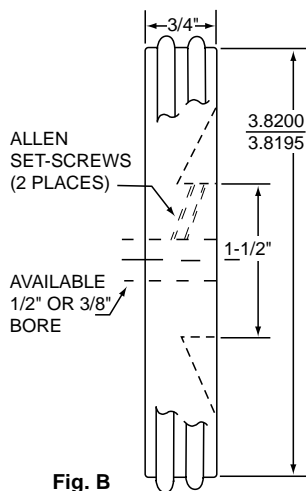


Fig. B

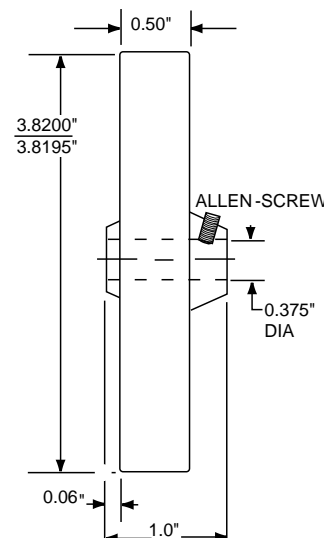


Fig. C

ACCESSORIES