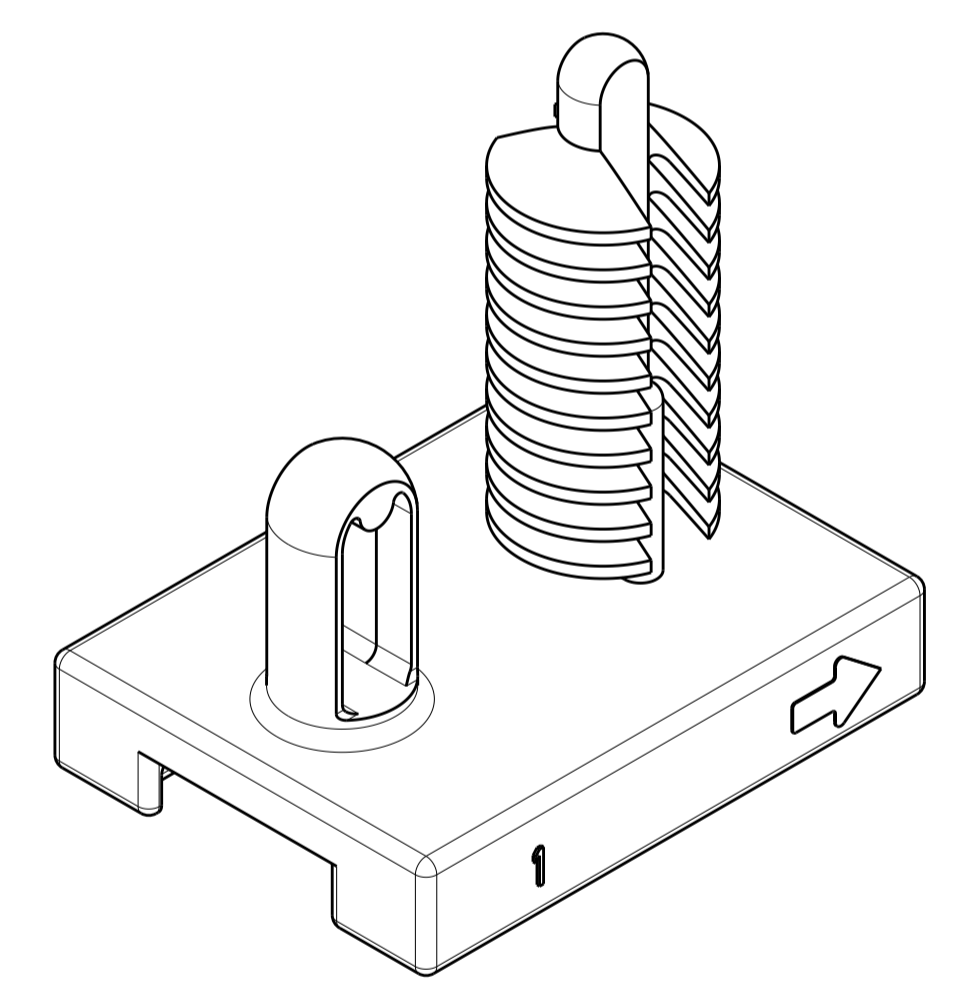
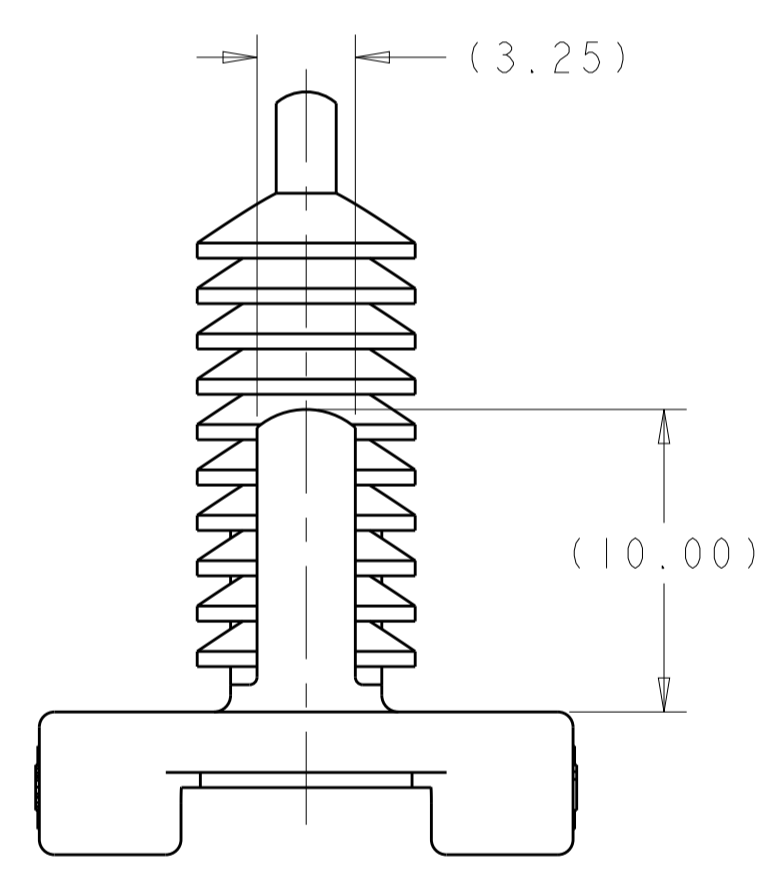
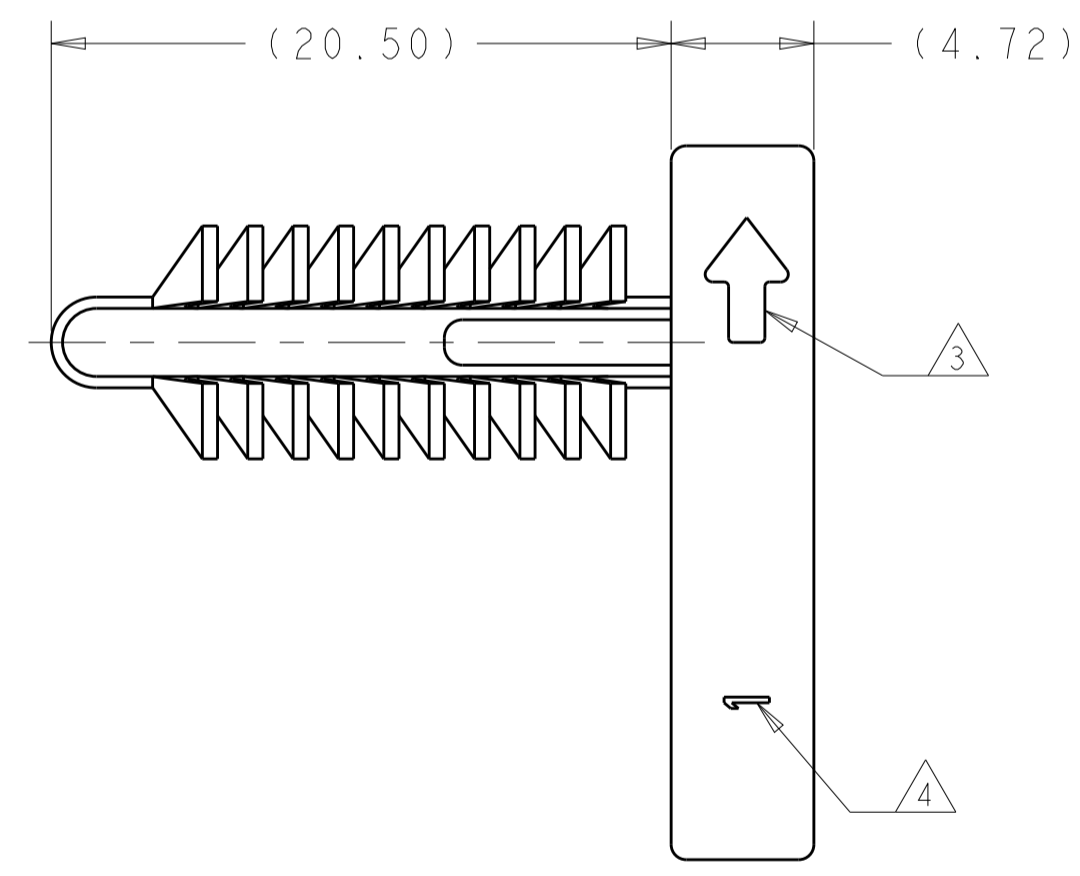
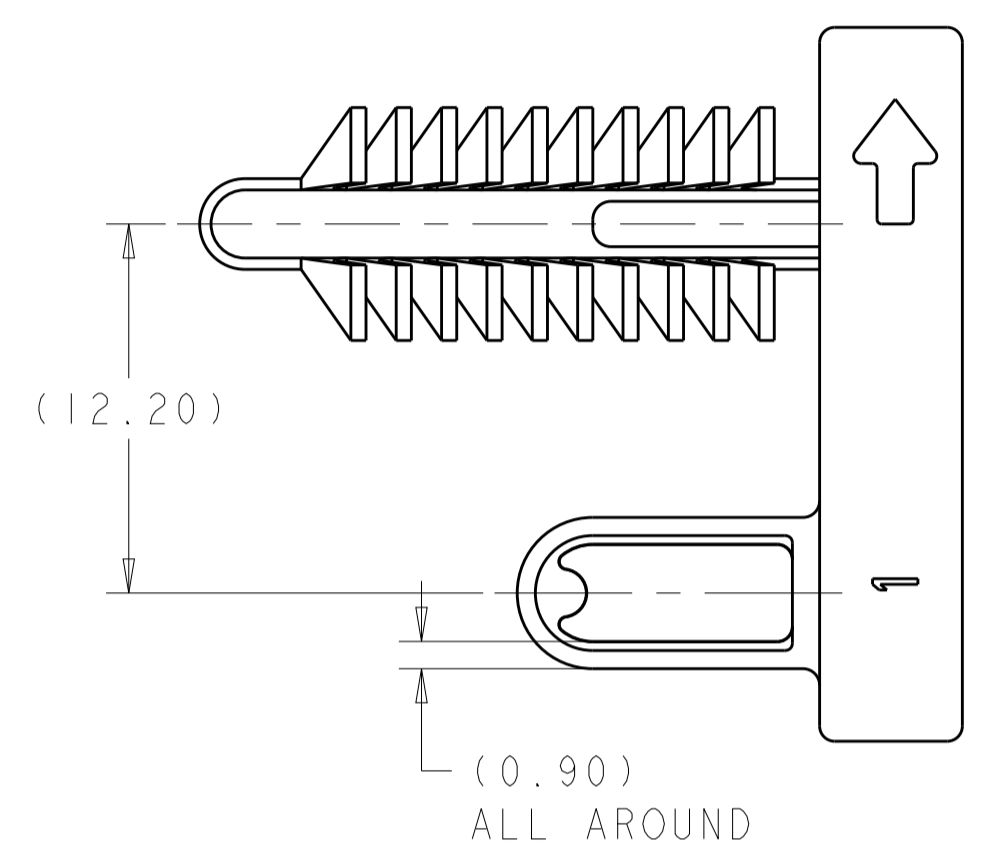
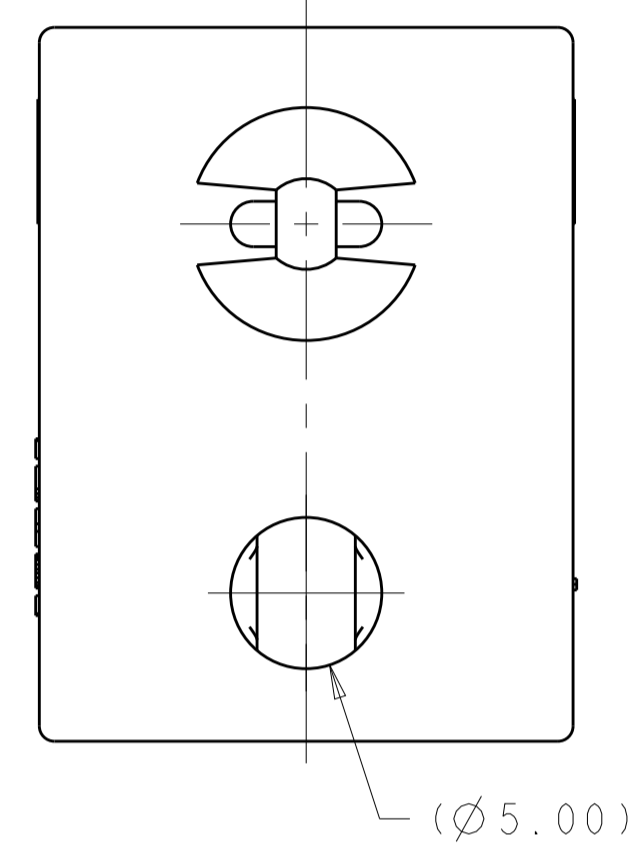
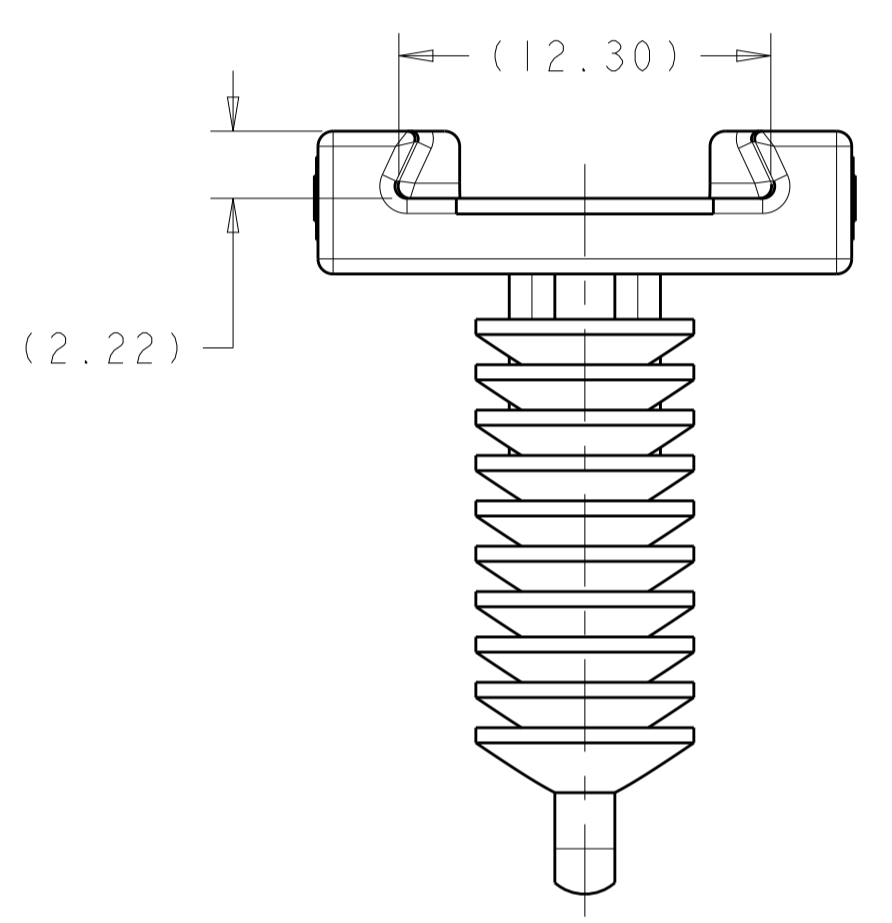


REVISIONS				
P.	LTN	DESCRIPTION	DATE	APVD
D		REVISED PER ECO-15-014592	09OCT2015	JM RB
D1		REVISED PER ECO-15-018109	17DEC2015	DD RB
E		REVISED PER ECO-19-009502	20JUN2019	NS RB

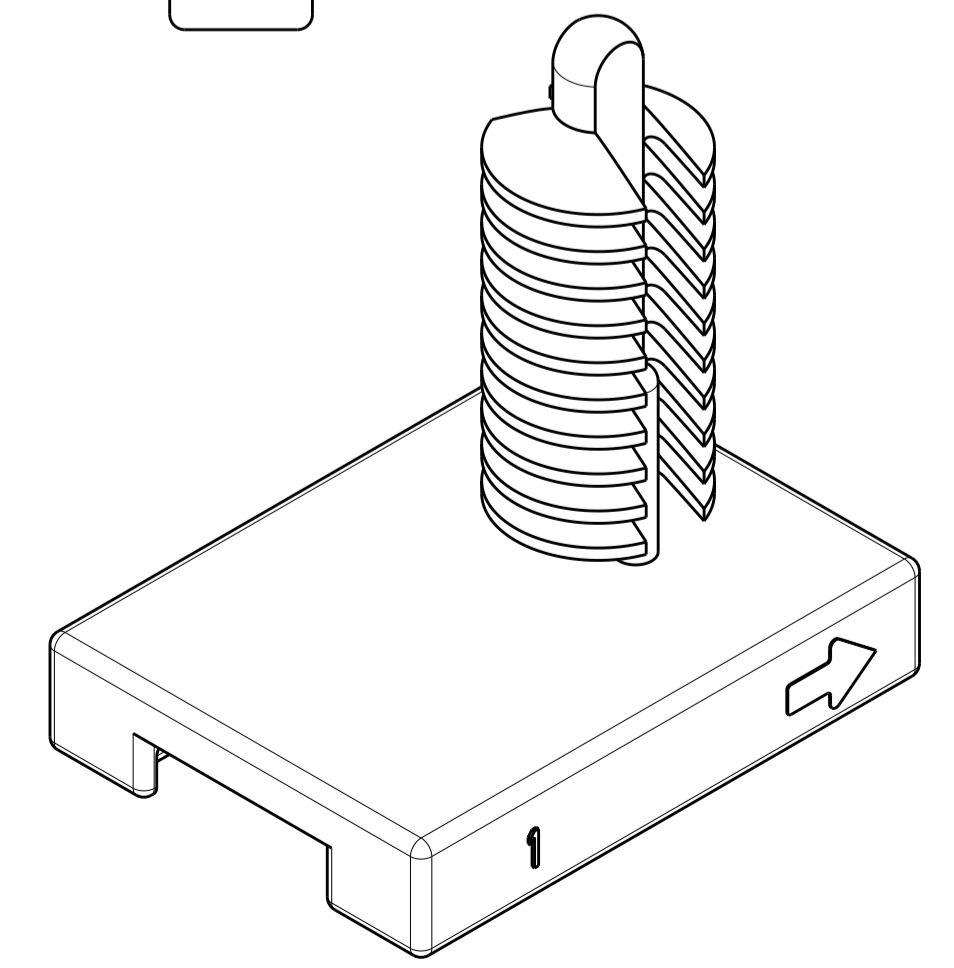
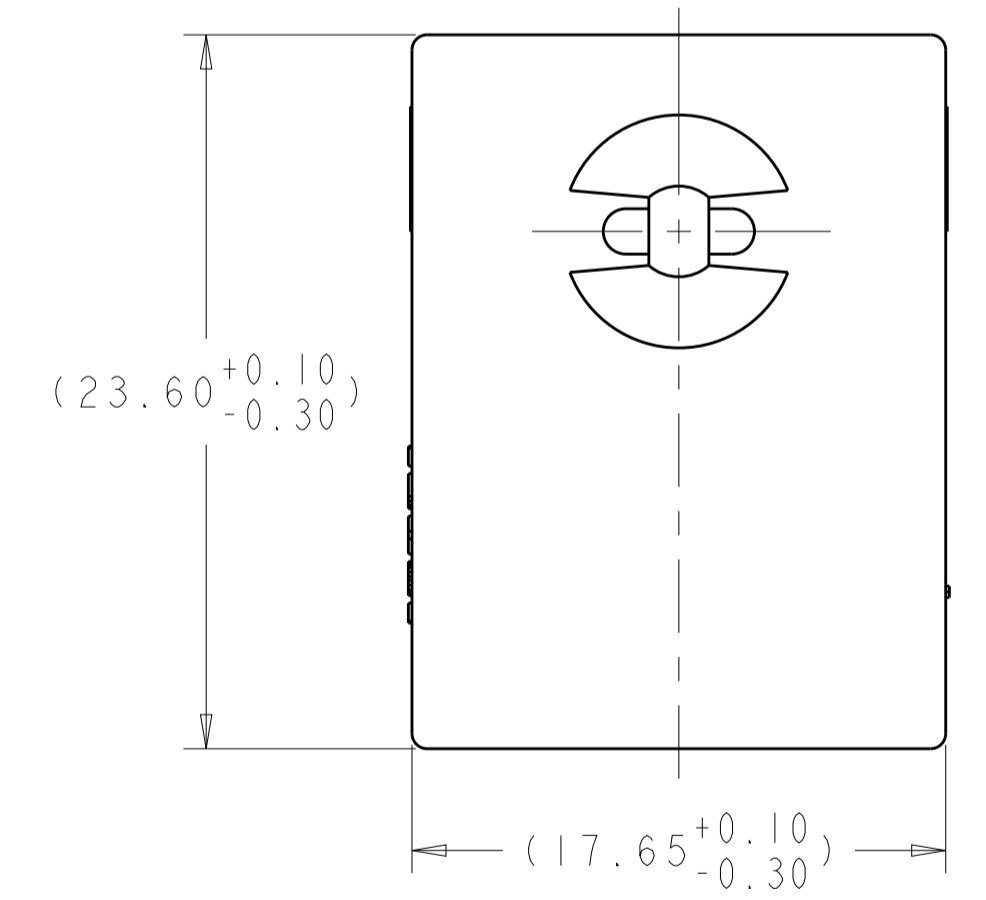
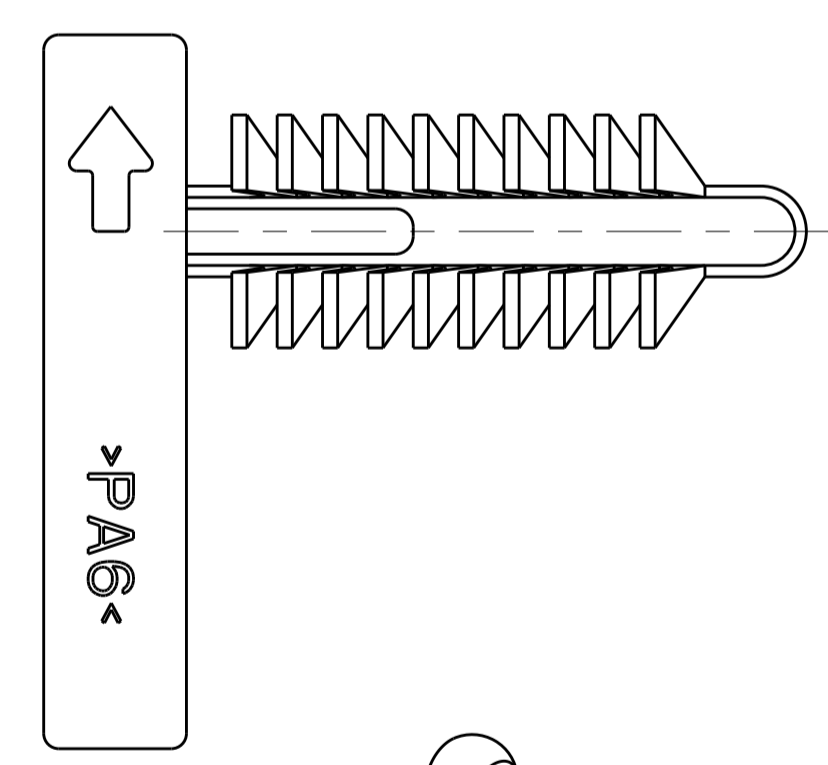
RECOMMENDED MOUNTING PARAMETERS
 1924487-1 AND 1924487-2 ONLY

CONNECTOR POSITION	TREE HOLE (THREADED)	ANTI-ROTATION HOLE (THREADED OR UNTHREADED)	THREAD DEPTH (MINIMUM)
2	M8	M6 (5.0mm)	4mm
3	M8	M6 (5.0mm)	6mm
4	M8	M6 (5.0mm)	6mm
6	M8	M6 (5.0mm)	6mm
8	M8	M6 (5.0mm)	8mm
12	M8	M6 (5.0mm)	8mm

- △ MATERIAL: NYLON 6, COLOR: BLACK
- 2. MOUNTING PARAMETERS: SEE RECOMMENDED MOUNTING TABLE ON LEFT SIDE.
- △3 AREA TO BE FROSTED APPROXIMATELY WHERE SHOWN.
- △4 CAVITY ID.
- △5 ANTI-ROTATION POST DIMENSIONS ONLY APPLY TO 1924487-2.



1924487-2
 DIMS SAME AS 1924487-1 EXCEPT AS SHOWN



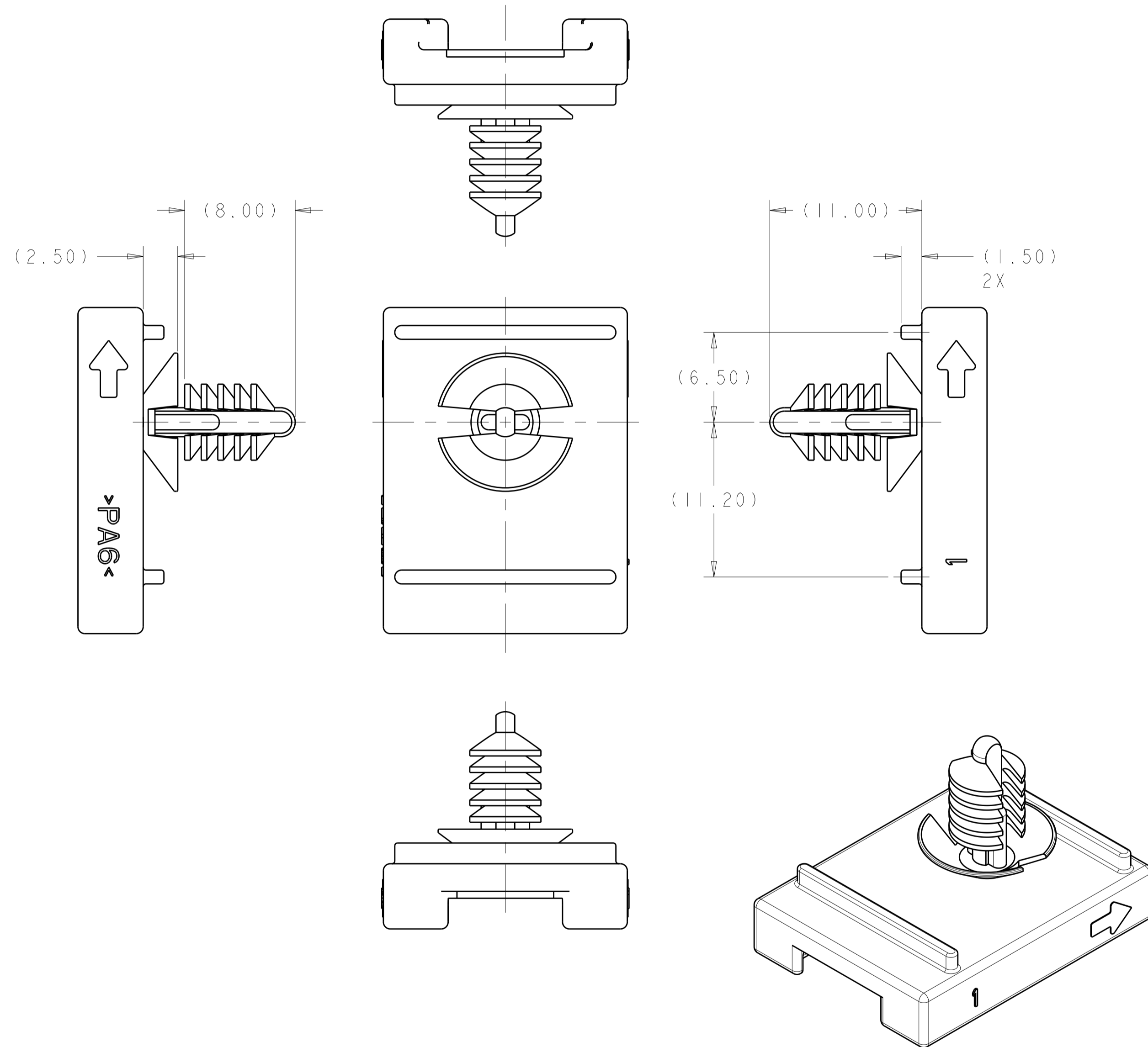
1924487-1

1.50 grams	1924487-3
1.65 grams	1924487-2
1.60 grams	1924487-1
WEIGHT (g)	PART NUMBER

THIS DRAWING IS A CONTROLLED DOCUMENT.		OWN J. MARKEY 22FEB2008	TE Connectivity	
DIMENSIONS: mm		CHK J. MARKEY 22FEB2008	RETAINER CLIP, AMPSEAL 16	
TOLERANCES UNLESS OTHERWISE SPECIFIED:		APVD J. MARKEY 22FEB2008	-	
0 PLC ±		PRODUCT SPEC	-	
1 PLC ±0.5		APPLICATION SPEC	-	
2 PLC ±0.3		SIZE CAGE CODE DRAWING NO	-	
3 PLC ±		RESTRICTED TO	-	
4 PLC ±		WEIGHT	-	
ANGLES ±		CUSTOMER DRAWING	-	
FINISH		SCALE 3:1	SHEET 1 OF 2	
MATERIAL		REV E	-	

REVISIONS					
P.	LTN	DESCRIPTION	DATE	DMN	APVD
-	-	SEE SHEET 1	-	-	-

RECOMMENDED MOUNTING PARAMETERS
 1924487-3 ONLY
 1924487-3 TO SNAP INTO Ø4.7MM HOLE
 IN 3MM STOCK SHEET METAL.



1924487-3
 DIMS SAME AS 1924487-1
 EXCEPT AS SHOWN

THIS DRAWING IS A CONTROLLED DOCUMENT.		DMN J. MARKEY 22FEB2008	TE Connectivity
DIMENSIONS: mm		CHK J. MARKEY 22FEB2008	
TOLERANCES UNLESS OTHERWISE SPECIFIED: 0 PLC ± 1 PLC ±0.5 2 PLC ±0.3 3 PLC ± 4 PLC ± ANGLES ±		APVD J. MARKEY 22FEB2008	NAME RETAINER CLIP, AMPSEAL 16
MATERIAL		PRODUCT SPEC	SIZE CAGE CODE DRAWING NO
FINISH		APPLICATION SPEC	RESTRICTED TO
CUSTOMER DRAWING		WEIGHT	A100779C=1924487
SCALE 3:1		SHEET 2 OF 2	REV E