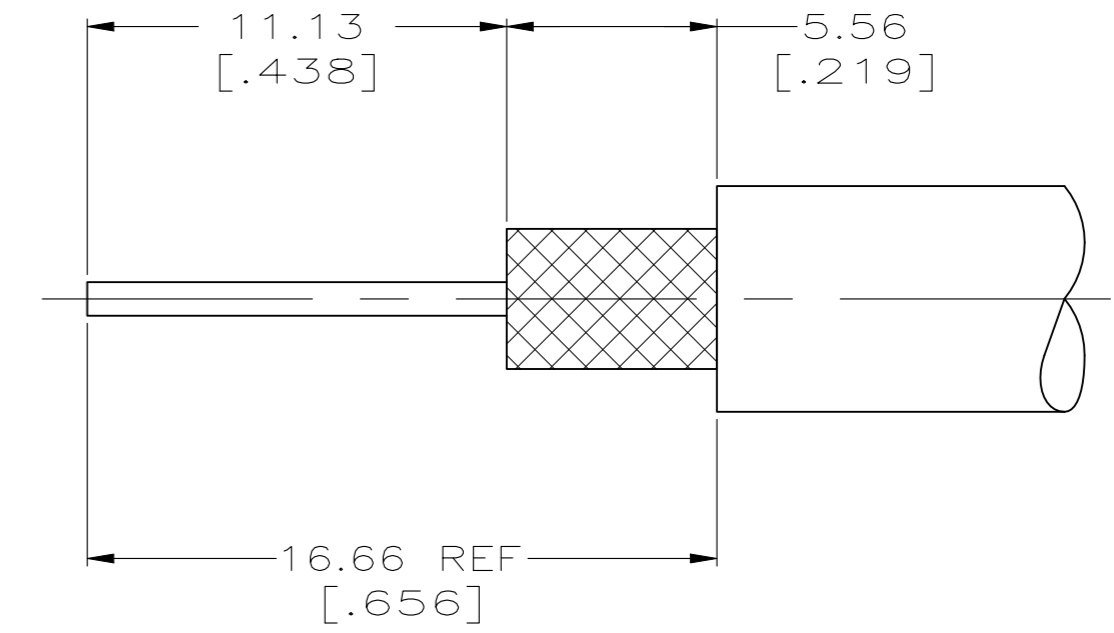
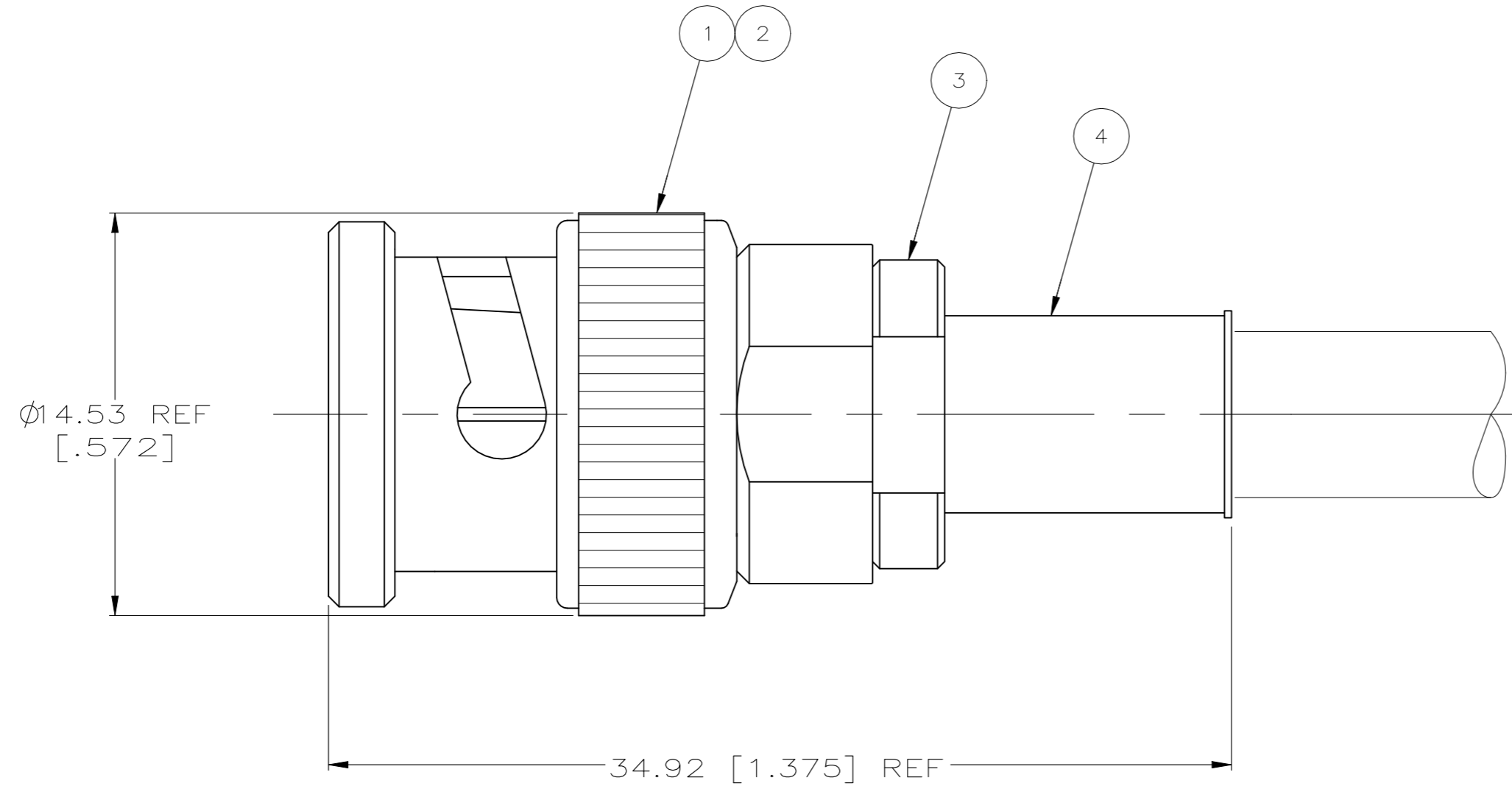


| REVISIONS |     |                           |           |     |      |
|-----------|-----|---------------------------|-----------|-----|------|
| P         | LTR | DESCRIPTION               | DATE      | DWN | APVD |
| H2        |     | REVISED PER ECN-21-122181 | 18OCT2021 | RZ  | WK   |

1. USE INSTRUCTION SHEET 1799-1



RECOMMENDED STRIP LENGTH

|                   |                          |            |                    |                                  |                   |                          |                |
|-------------------|--------------------------|------------|--------------------|----------------------------------|-------------------|--------------------------|----------------|
| OBSOLETE          | -                        | -          | -                  | -                                | -                 | -                        | 7-330358-1     |
|                   | RG-142/U, 142A/U, 142B/U | 693331-1   | 9-329099-2         | 9-50780-3                        | 2-329106-1        | 9-329804-0               | 2-330358-2     |
| SUPSD BY 225395-5 | RG-141/U, 141A/U         | 693331     | 330478             | 1-50780-3                        | 2-329106-1        | 329804                   | 2-330358-1     |
| OBSOLETE          | -                        | -          | -                  | -                                | -                 | -                        | 330358         |
|                   | CABLE                    | CRIMP TOOL | ④ FERRULE<br>QTY=1 | ③ CRIMP END<br>ASSEMBLY<br>QTY=1 | ② GASKET<br>QTY=1 | ① PLUG ASSEMBLY<br>QTY=1 | PART<br>NUMBER |

THIS DRAWING IS A CONTROLLED DOCUMENT.

|                                  |                  |                 |              |
|----------------------------------|------------------|-----------------|--------------|
| DWN 14FEB96<br>MICHAEL E. COWHER |                  | TE Connectivity |              |
| CHK 15FEB96<br>FRANK P. MORANA   |                  | PLUG, BNC       |              |
| APVD -                           | NAME             | SIZE            | CAGE CODE    |
| PRODUCT SPEC                     |                  | A2              | 00779        |
| APPLICATION SPEC                 | DRAWING NO       | C=330358        |              |
|                                  | RESTRICTED TO    | -               |              |
| MATERIAL -                       | WEIGHT 0.000000  | SCALE 5:1       | SHEET 1 of 1 |
| FINISH -                         | CUSTOMER DRAWING | REV H2          |              |