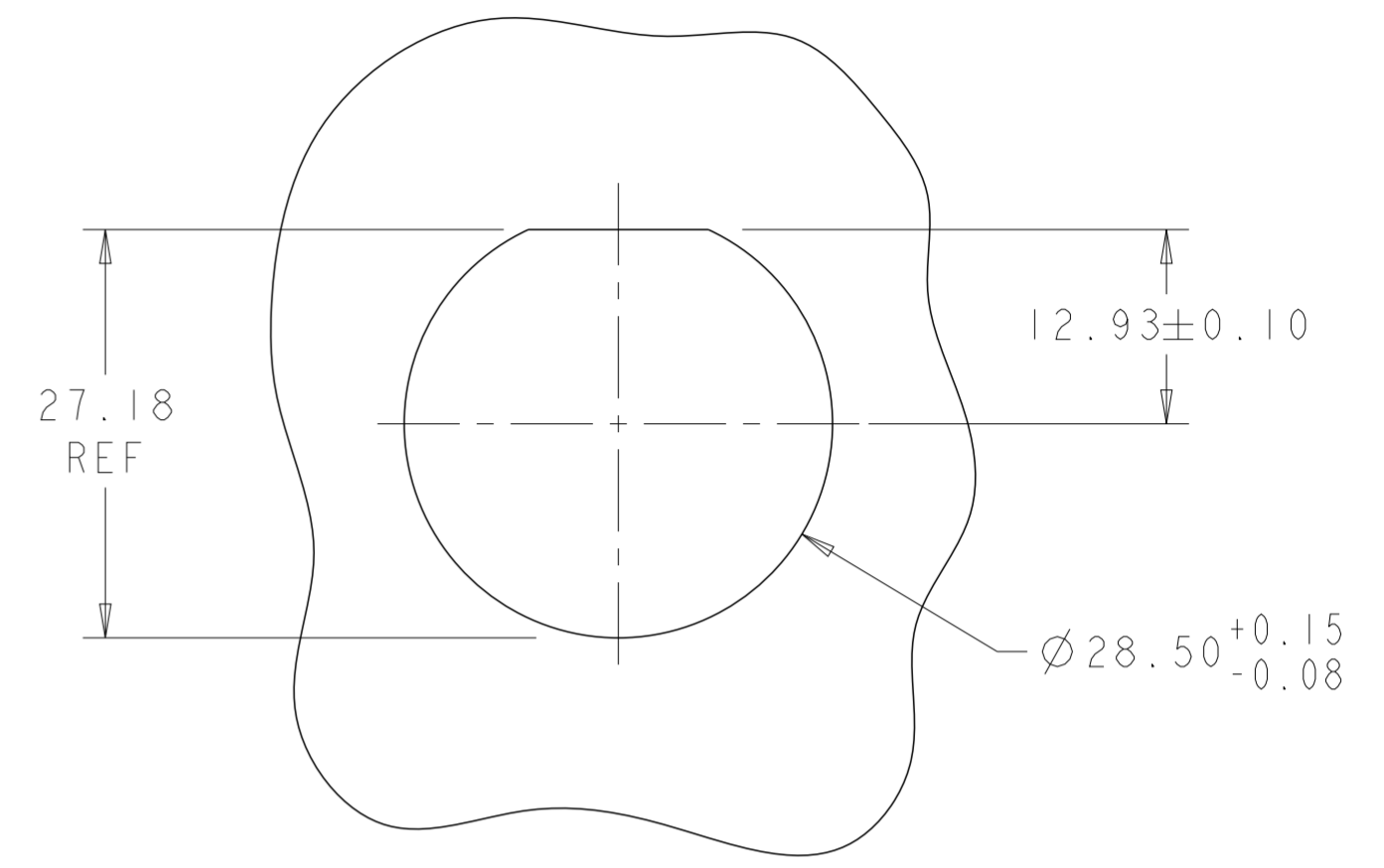
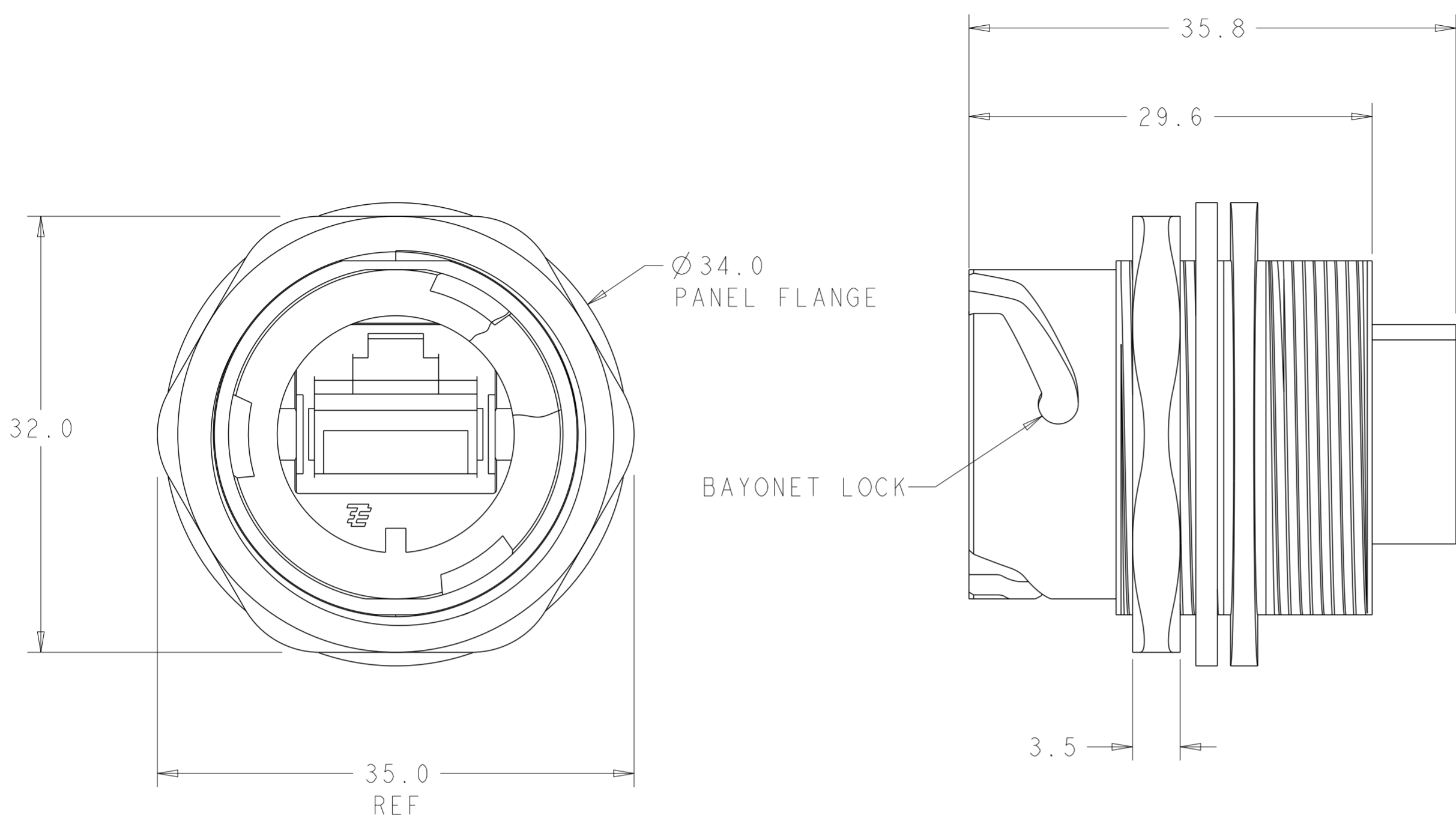
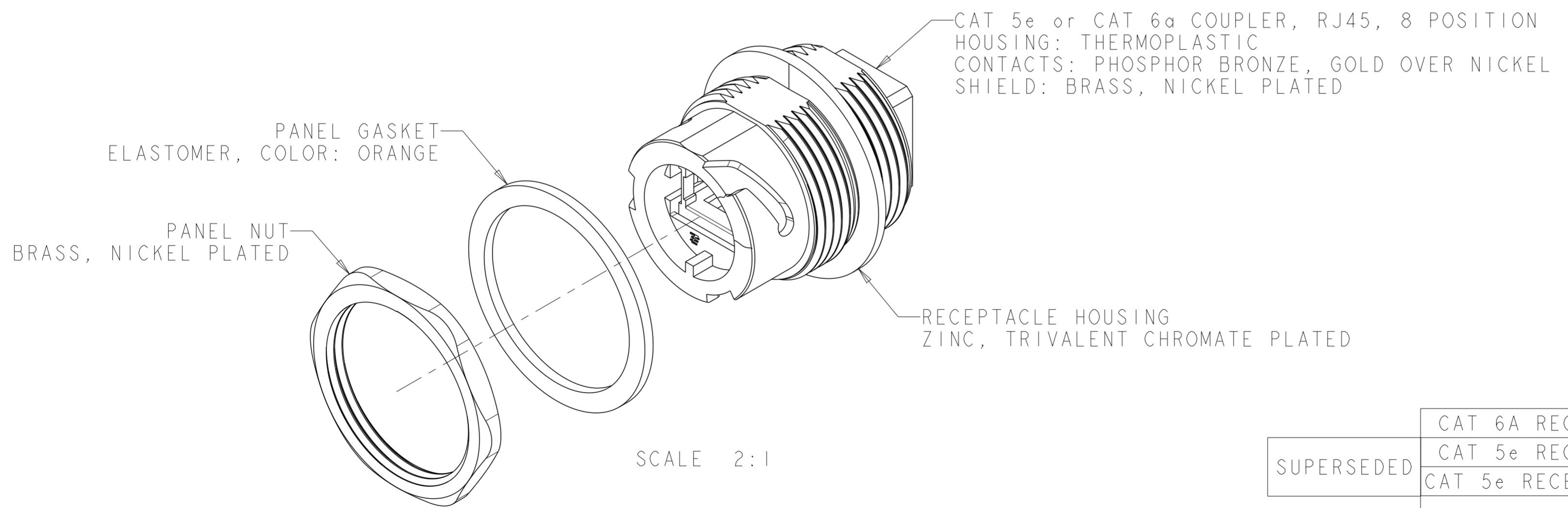


THIS DRAWING IS UNPUBLISHED. RELEASED FOR PUBLICATION 20  
 © COPYRIGHT 20 BY - ALL RIGHTS RESERVED.

LOC		DIST		REVISIONS			
P	LTR	DESCRIPTION		DATE	DWN	APVD	
A4		ECR-15-001104		30JAN2015	TJ	JK	
A5		PCN E-19-018630		05JUN2020	SS	JK	



RECOMMENDED PANEL CUTOUT  
 3.2mm MAXIMUM PANEL THICKNESS



SCALE 2:1

SUPERSEDED	CAT 6A RECEPTACLE ASSY, SHIELDED	2008615-3
	CAT 5e RECEPTACLE ASSY, SHIELDED	2008615-2
	CAT 5e RECEPTACLE ASSY, UNSHIELDED	2008615-1
	DESCRIPTION	PART NUMBER

- CONNECTOR MAY BE FRONT OR REAR PANEL MOUNTED. VIEWS SHOW PANEL NUT AND GASKET LOCATION FOR THE REAR PANEL MOUNTED VERSION.
- COUPLER LINES CROSSOVER BETWEEN POSTS.
- PANEL NUT AND PANEL GASKET ARE PACKAGED ASSEMBLED IN POLYBAG.

THIS DRAWING IS A CONTROLLED DOCUMENT.		DWN S. WELDON 01APR2008	<b>STE</b> TE Connectivity	
DIMENSIONS: mm		CHK C. HERTZLER 01APR2008		
TOLERANCES UNLESS OTHERWISE SPECIFIED:		APVD C. HERTZLER 01APR2008	NAME RECEPTACLE KIT, 8 POSITION INDUSTRIAL ETHERNET CONNECTOR	
0 PLC ±1.0		PRODUCT SPEC 108-2198	SIZE CAGE CODE DRAWING NO RESTRICTED TO	
1 PLC ±0.2		APPLICATION SPEC 114-13136	A200779 C-2008615	
2 PLC ±0.10		WEIGHT -	SCALE 3:1 SHEET 1 OF 1 REV A5	
3 PLC ±0.000		MATERIAL -	CUSTOMER DRAWING	
4 PLC ±0.0000		FINISH -		
ANGLES ±				