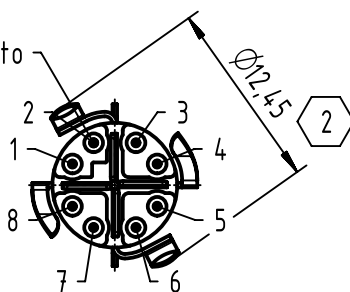
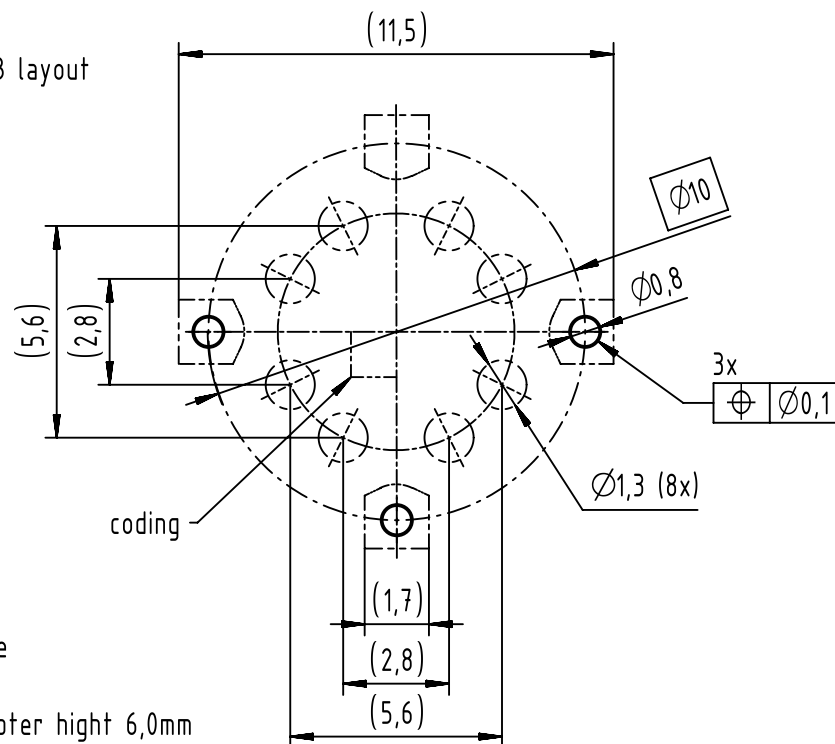


contact face acc. to
IEC 61076-2-109



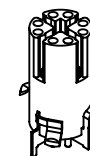
A (5:1)
recommended PCB layout



- 1 pcs. single package

1 recommended adapter height 6,0mm

2 recommended housing diameter Ø11,4mm



	All rights reserved Department EL PD	All Dimensions in mm Original Size DIN A4			Scale 2:1	Free size tol.	Ref. Sub.
		HARTING Electronics GmbH D-32339 Espelkamp	Created by DYCKC	Inspected by HARLASS	Standardisation HOFFMANN	Date 2018-08-20	State Final Release
Title HARTING M12 PCB recpt str 8-pole X-cod female shielded						Doc-Key / ECM-Nr. 100671216/UGD/000/B 500000138119	
Type TB				Number 21033812820		Rev. B	Page 1/1