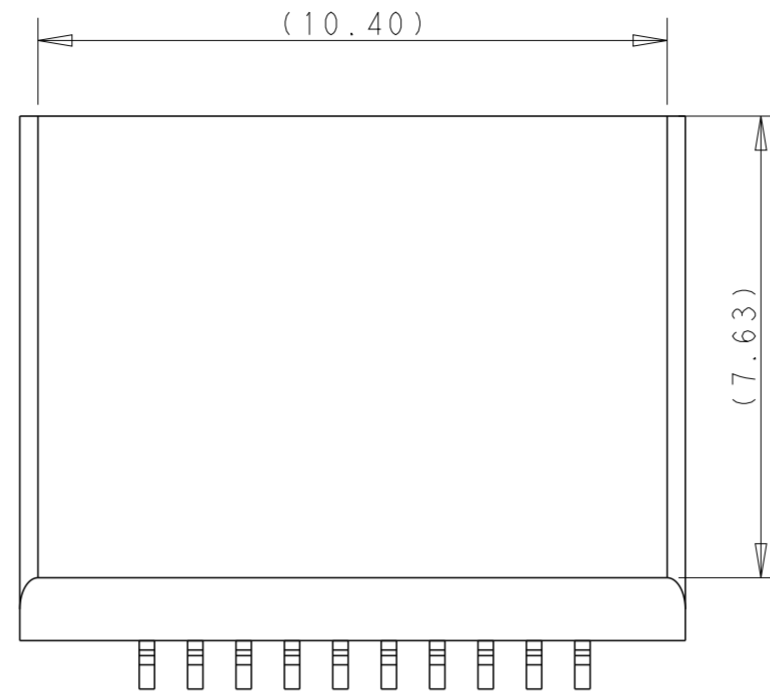
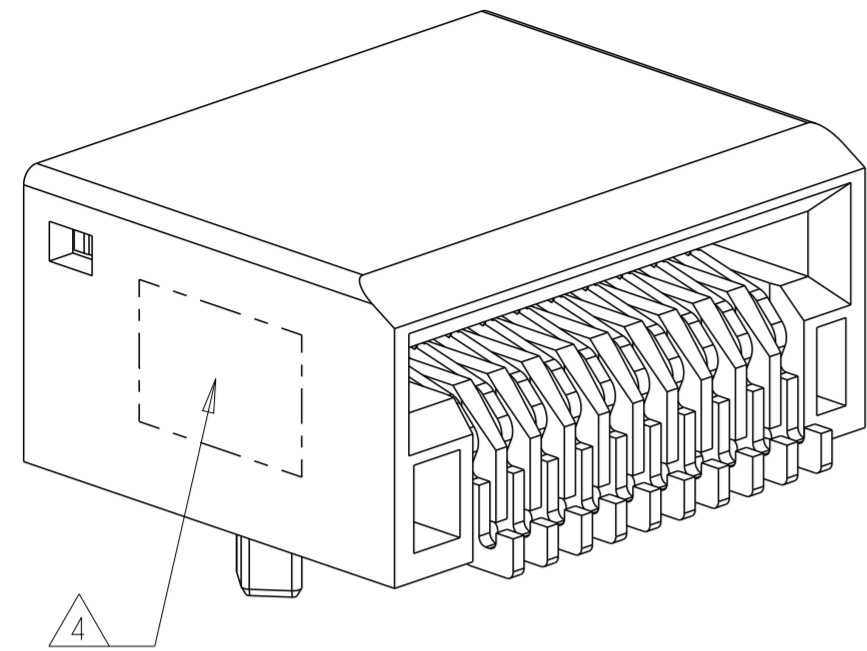
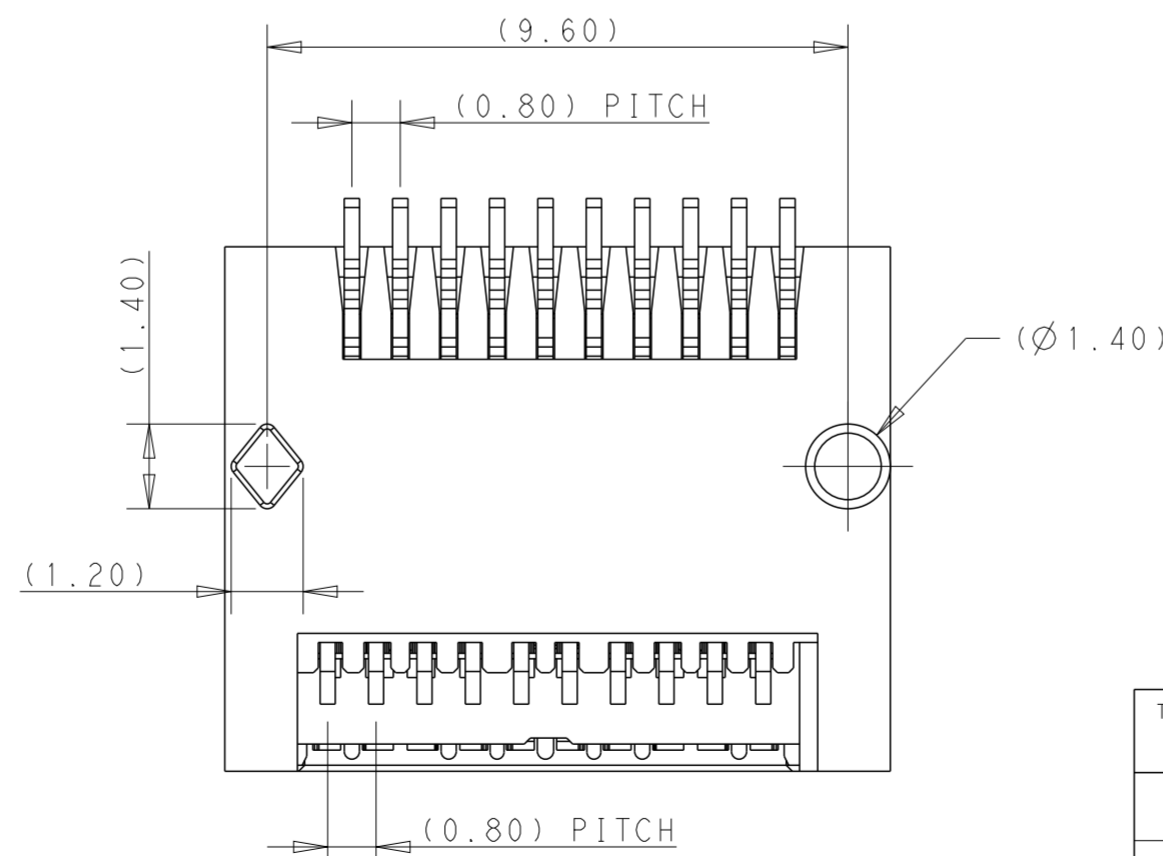
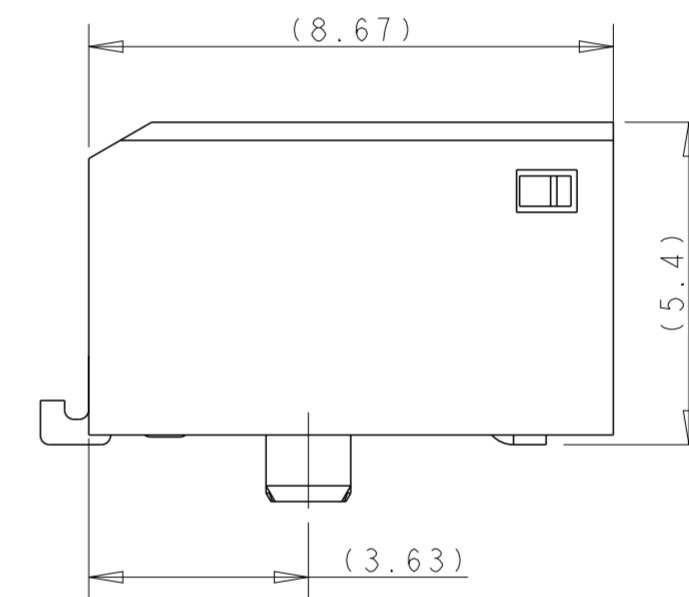
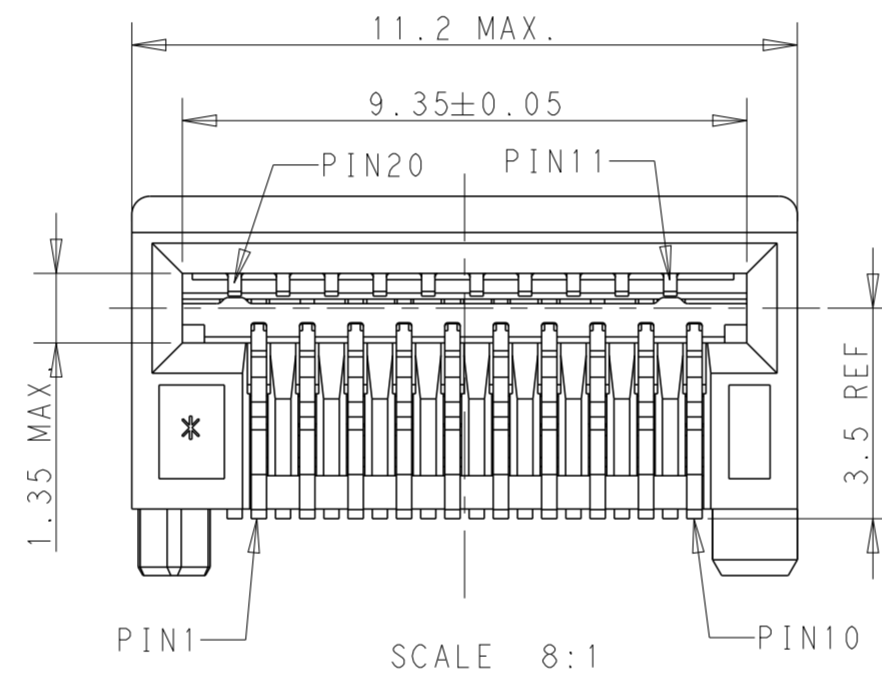
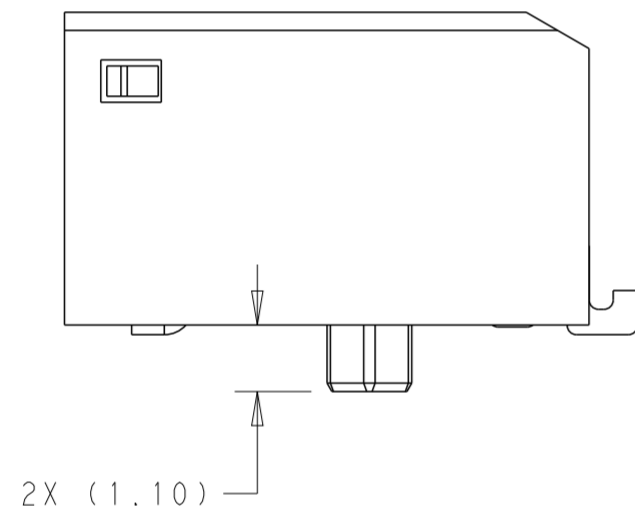


P	LTR	DESCRIPTION	DATE	DWN	APVD
A		INITIAL RELEASE	09MAR2022	AJ	SZ
A1		REVISED RHOMBIC GUIDE POST WIDTH	07JUN2022	AJ	SZ
A2		CORRECTED DRAFT ERROR IN TITLE BLOCK	08DEC2022	AJ	SZ



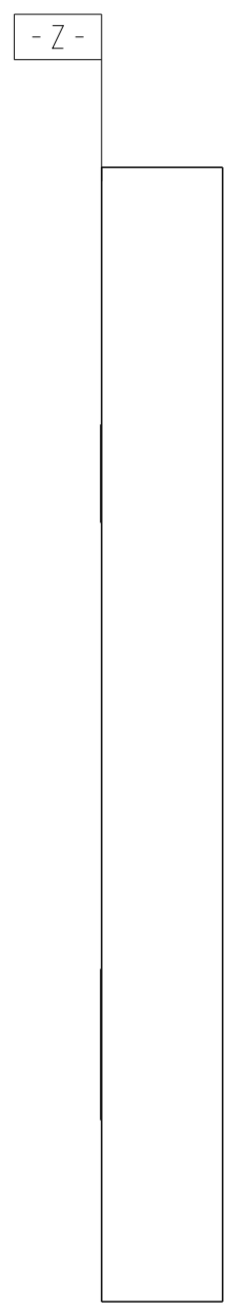
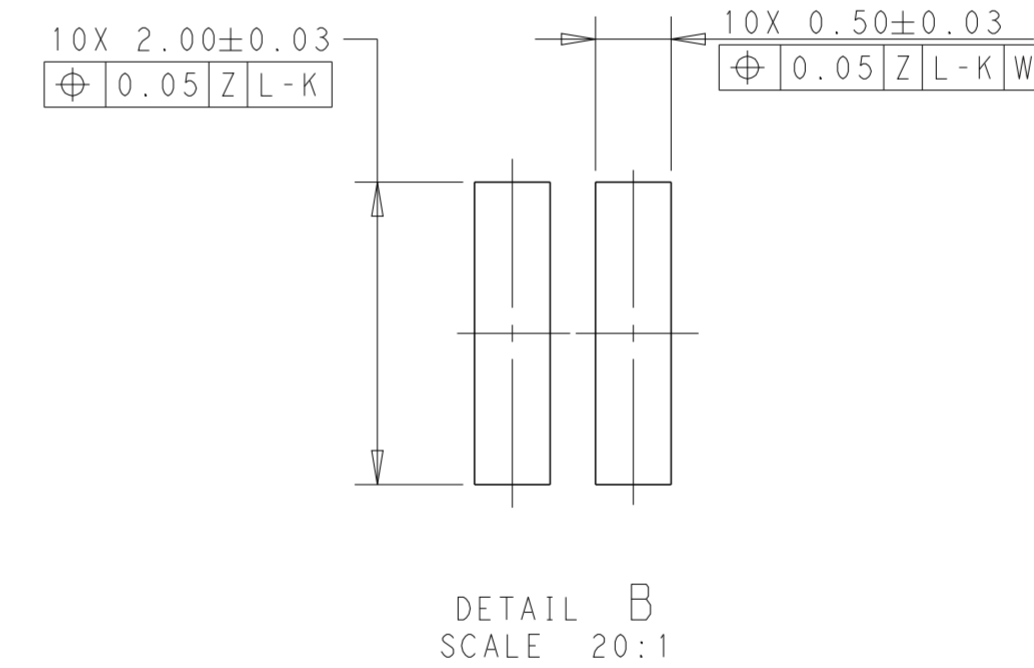
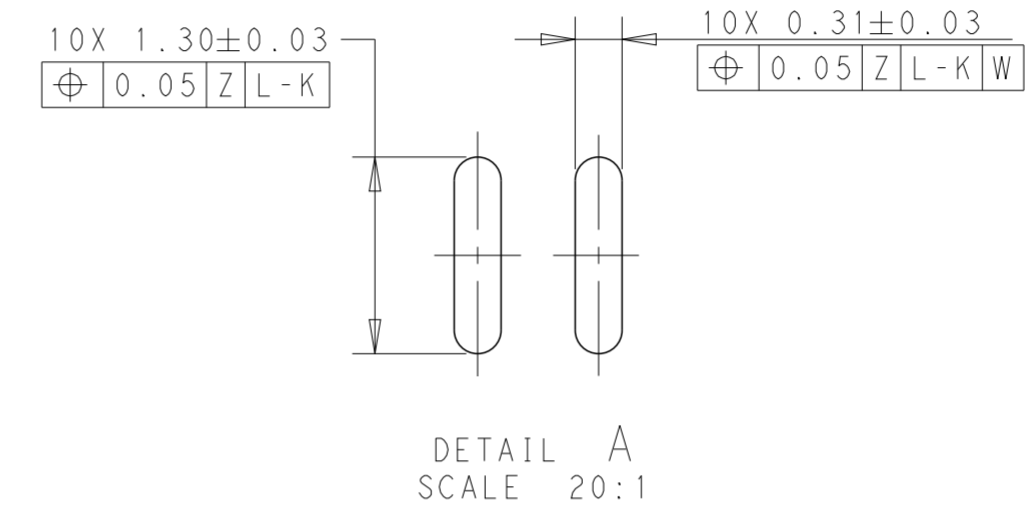
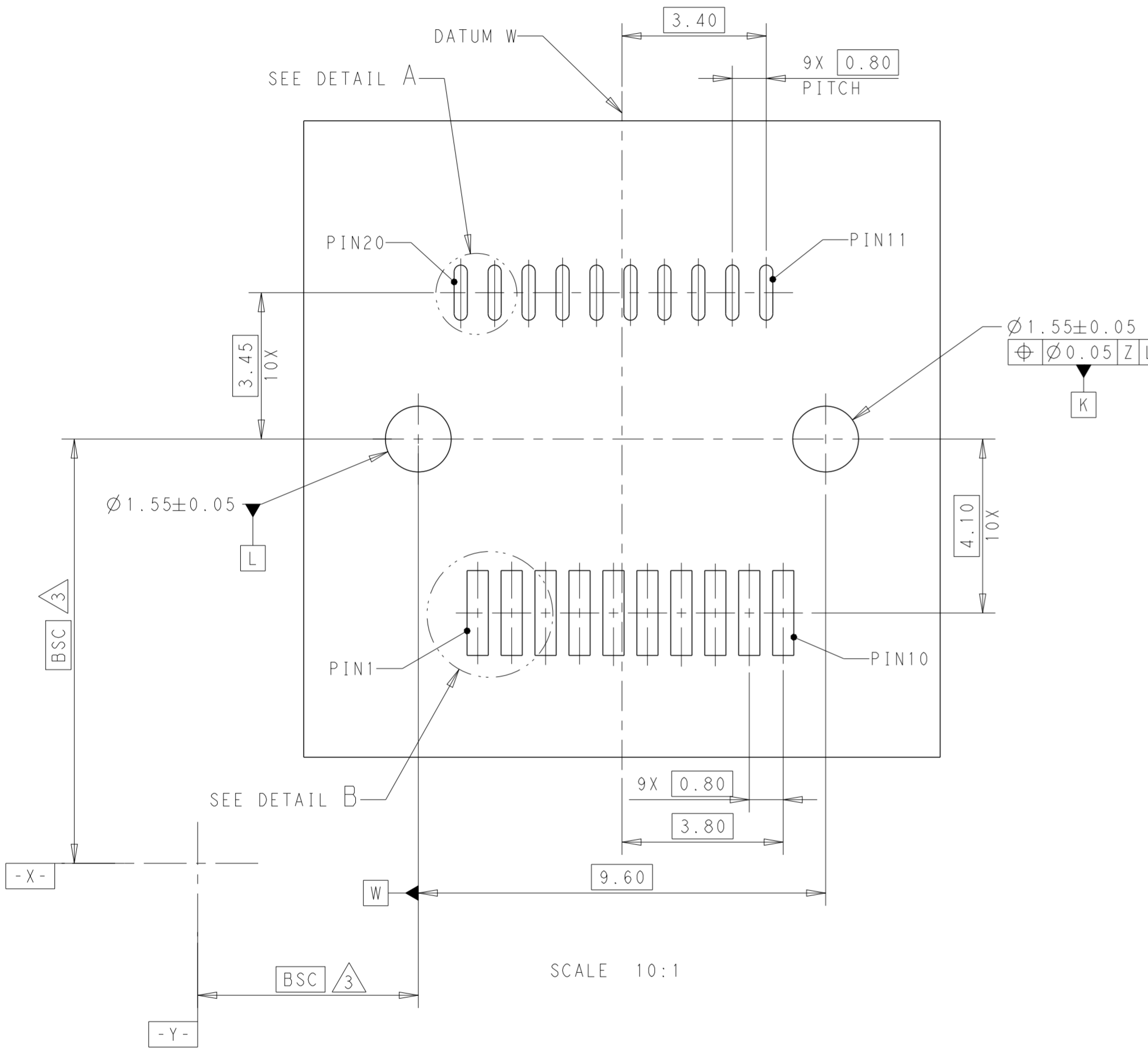
- 1 MATERIAL:
CONTACT: COPPER ALLOY
HOUSING: LCP, BLACK.
- 2 FINISH: GOLD PLATING ON MATING INTERFACE
- 3 DATUM AND BASIC DIMENSIONS ESTABLISHED BY CUSTOMER
- 4 PART NUMBER AND DATE CODE APPROXIMATELY MARKED IN THIS AREA.
- 5. PACKAGING SPECIFICATION PLEASE REFER TO 107-148632



AS SHOWN	2378765-1
REMARK	PART NUMBER

THIS DRAWING IS A CONTROLLED DOCUMENT.		DWN 23FEB2021 ARTHUR JIN	STE TE Connectivity	
		CHK 23FEB2021 SUNY ZHAO		
DIMENSIONS: mm		APVD -		NAME SFP112 RECEPTACLE ASSEMBLY 20POS, SMT
TOLERANCES UNLESS OTHERWISE SPECIFIED: 0 PLC ±- 1 PLC ±0.30 2 PLC ±0.25 3 PLC ±- 4 PLC ±- ANGLES ±- FINISH		PRODUCT SPEC 108-115180	SIZE 114-13120	RESTRICTED TO -
MATERIAL		APPLICATION SPEC 114-13120	WEIGHT 0.68 G	SCALE 8:1
		CUSTOMER DRAWING	SIZE A200779	DRAWING NO C-2378765
		SHEET 1 OF 2		REV A2

P	LTR	DESCRIPTION	DATE	DWN	APVD
		SEE SHEET 1			



THIS DRAWING IS A CONTROLLED DOCUMENT.		DWN 23FEB2021 ARTHUR JIN	TE Connectivity	
		CHK 23FEB2021 SUNY ZHAO		
DIMENSIONS: mm 		TOLERANCES UNLESS OTHERWISE SPECIFIED: 0 PLC ± 1 PLC ±0.30 2 PLC ±0.25 3 PLC ± 4 PLC ± ANGLES ± FINISH		NAME SFP112 RECEPTACLE ASSEMBLY 20POS, SMT
MATERIAL		APVD - PRODUCT SPEC 108-115180 APPLICATION SPEC 114-13120 WEIGHT 0.68 G		SIZE CAGE CODE DRAWING NO RESTRICTED TO A200779 C-2378765 -
		CUSTOMER DRAWING		SCALE 8:1 SHEET 2 OF 2 REV A2