

UNLESS OTHERWISE SPECIFIED:
DIMENSIONS ARE IN INCHES
TOLERANCES:
FRACTIONAL ± 1/8
ANGULAR: BEND ± 1 DEGREE
TWO PLACE DECIMAL ± .03
THREE PLACE DECIMAL ± .01

Surface Area

MATERIAL

FINISH

DO NOT SCALE DRAWING

	NAME	DATE
DRAWN		
CHECKED		
ENG APPR.		
MFG APPR.		
Q.A.		
COMMENTS:		

KENDALL HOWARD

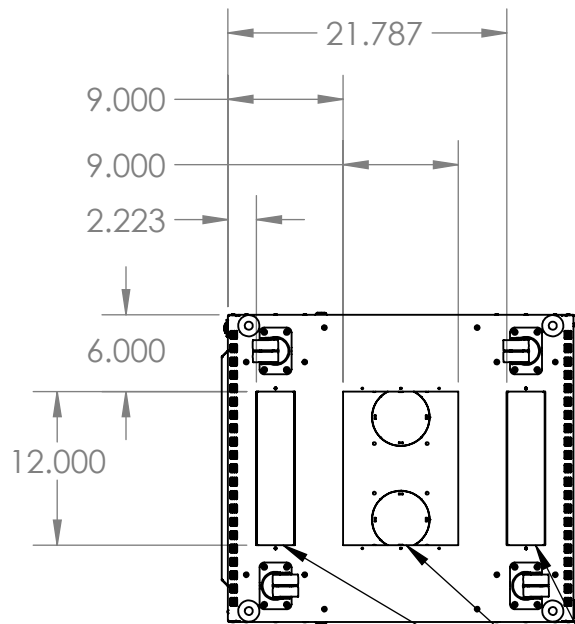
TITLE:
**27U LINIER AV CONVEX
FRONT/ GLASS REAR**

SIZE A	DWG. NO. 3102-3-024-27 WP	REV
SCALE: 1:20	WEIGHT: 110.24	SHEET 1 OF 2

WEB PRINT

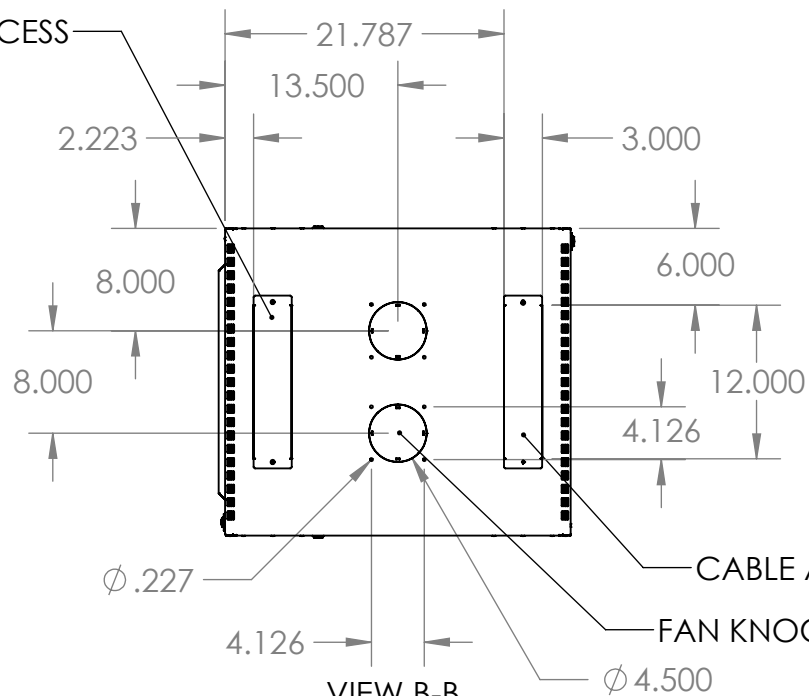
NEXT ASSY	USED ON
APPLICATION	

PROPRIETARY AND CONFIDENTIAL
THE INFORMATION CONTAINED IN THIS DRAWING IS THE SOLE PROPERTY OF KENDALL HOWARD. ANY REPRODUCTION IN PART OR AS A WHOLE WITHOUT THE WRITTEN PERMISSION OF KENDALL HOWARD IS STRICTLY PROHIBITED.



VIEW A-A
SCALE 1 : 15
BOTTOM VIEW

CABLE ACCESS



VIEW B-B
SCALE 1 : 15
TOP VIEW

CABLE ACCESS

FAN KNOCKOUT

ϕ 4.500

UNLESS OTHERWISE SPECIFIED:
DIMENSIONS ARE IN INCHES
TOLERANCES:
FRACTIONAL $\pm 1/8$
ANGULAR: BEND ± 1 DEGREE
TWO PLACE DECIMAL $\pm .03$
THREE PLACE DECIMAL $\pm .01$

Surface Area

MATERIAL

FINISH

DO NOT SCALE DRAWING

WEB PRINT

NEXT ASSY

USED ON

APPLICATION

NAME DATE

DRAWN

CHECKED

ENG APPR.

MFG APPR.

Q.A.

COMMENTS:

KENDALL HOWARD

TITLE:

**27U LINIER AV CONVEX
FRONT/ GLASS REAR**

SIZE DWG. NO.

A 3102-3-024-27 WP

REV

SCALE: 1:20 WEIGHT: 110.24 SHEET 2 OF 2

PROPRIETARY AND CONFIDENTIAL
THE INFORMATION CONTAINED IN THIS
DRAWING IS THE SOLE PROPERTY OF
KENDALL HOWARD. ANY REPRODUCTION
IN PART OR AS A WHOLE WITHOUT THE
WRITTEN PERMISSION OF KENDALL HOWARD
IS STRICTLY PROHIBITED.