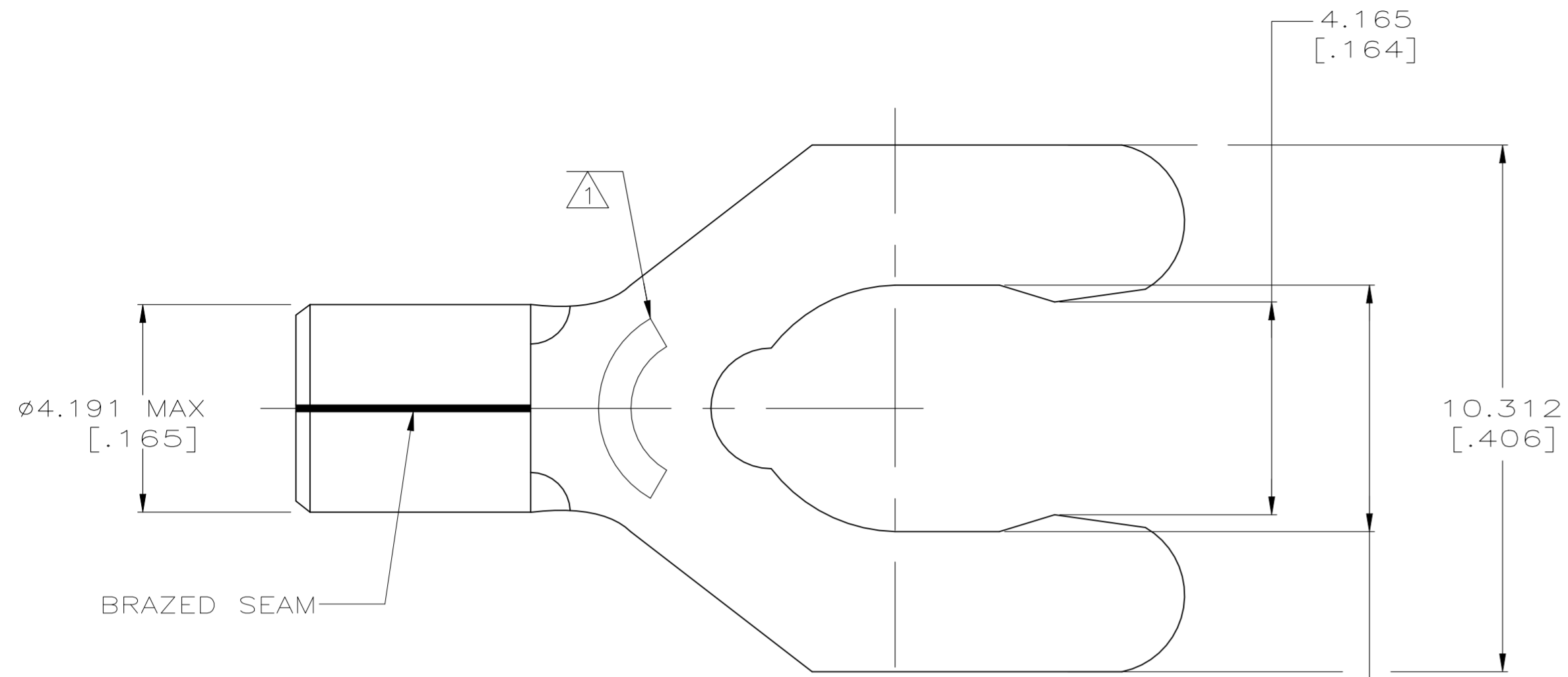
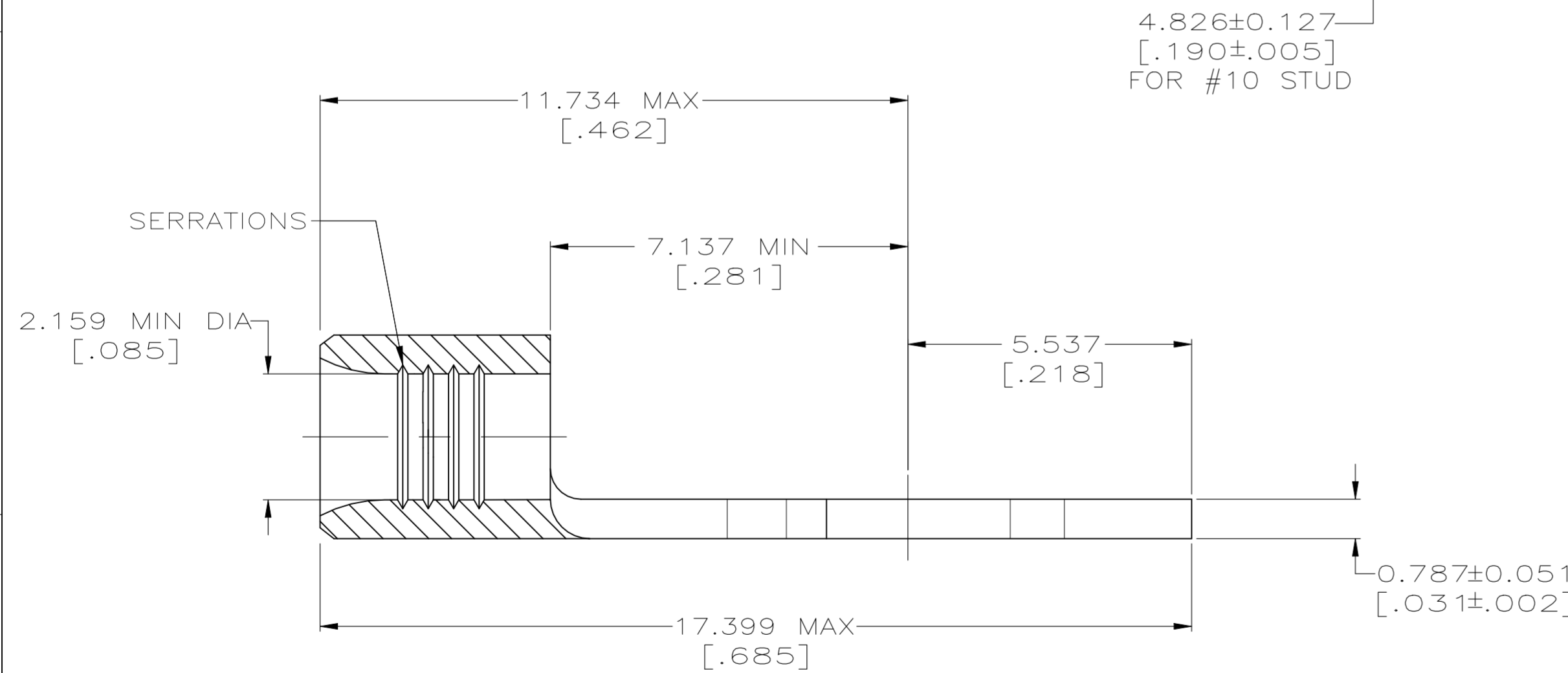


REVISIONS					
P	LTR	DESCRIPTION	DATE	DWN	APVD
D2		REV PER ECO-21-000982	25JAN2021	RK	DR



AMP WIRE RANGE	E13288 Listed	LR7189 Certified
16-14 AWG SOLID OR STRANDED	16-14 AWG SOLID OR STRANDED	16-14 AWG SOLID OR STRANDED

- 1 STAMP 10S AMP 16 - 14* APPROX AS SHOWN
10S INDICATES STUD SIZE
- 2. RECOMMENDED OPERATING TEMPERATURE: 170°C [338°F] MAX
- 3. WIRE CROSS SECTIONAL AREA RANGE: 1.04-2.62mm²
[2,050-5,180 CIRCULAR MIL AREA] STRANDED
- 4 MATERIAL: PHOSPHOR BRONZE PER ASTM B-103,
ANNEALED
- 5 FINISH: TIN PLATE 0.00254 [.000100] MIN THK
PER ASTM-B545



	100	LOOSE PIECE, BOX	8-53125-1
PRELIMINARY	5000	TAPE AND REEL WITH INTERLEAVE	53125-3
	5000	ON TAPE	53125-2
	1000	LOOSE PIECE	53125-1
	QTY	PACKAGING TYPE	PART NUMBER

THIS DRAWING IS A CONTROLLED DOCUMENT.		DWN R.GRZYBOWSKI 19APR2010	TE Connectivity	
DIMENSIONS: mm [INCHES]		CHK T.MICHIELUTI 19APRIL2010		
TOLERANCES UNLESS OTHERWISE SPECIFIED:		APVD M.PECHERKE 19APRIL2010	NAME TERMINAL, SHORT SPRING SPADE SOLISTRAND, 16-14 AWG	
0 PLC ± -	1 PLC ± -	PRODUCT SPEC UL 486A-B	SIZE A2	CAGE CODE 00779
2 PLC ± -	3 PLC ± 0.127 [.005]	APPLICATION SPEC	DRAWING NO C=53125	RESTRICTED TO
4 PLC ± -	ANGLES ± -	MATERIAL 	WEIGHT -	SCALE 10:1
FINISH 		CUSTOMER DRAWING	SHEET 1 of 1	REV D2

53125