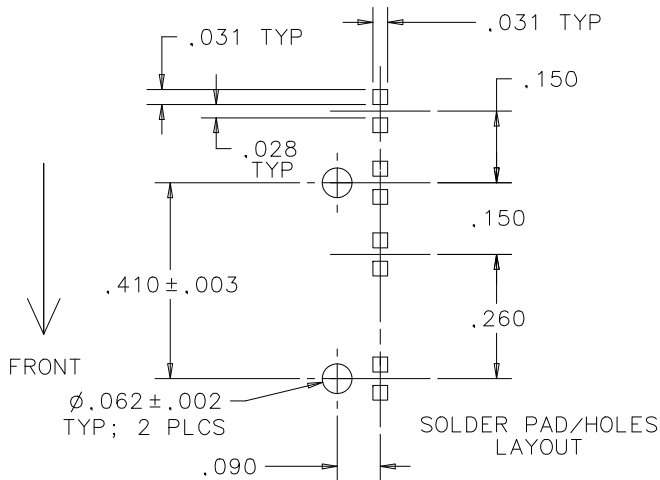
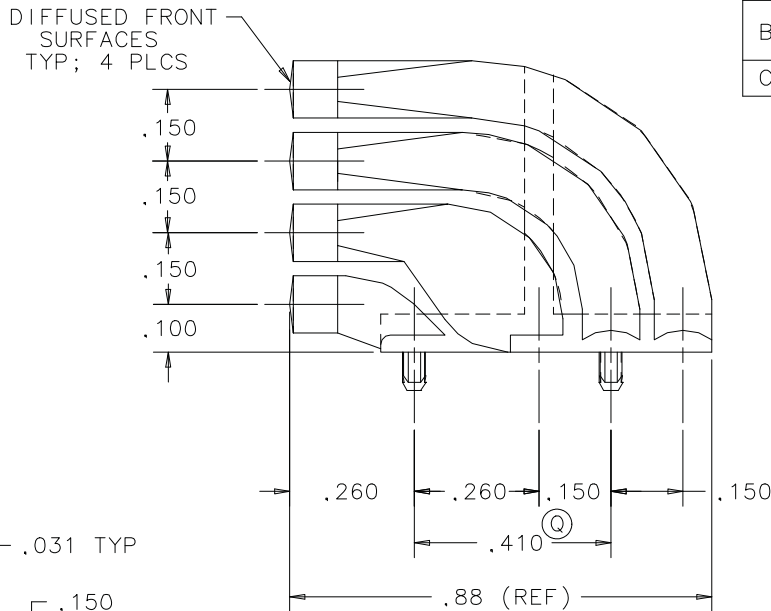
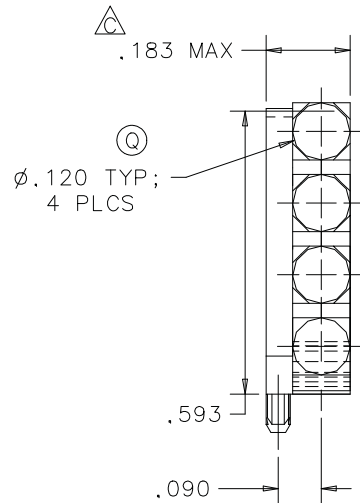



REVISIONS			
REV	ECR NO	DESCRIPTION	DATE
A	20632	NEW RELEASE	6-21-01
B	20794	REVISED SOLDER PAD LAYOUT & LED P/N'S.	
C	31345	.183 MAX WAS .175 MAX	4-9-2010



- NOTES:
1. COMPONENT TO BE MOLDED IN A CLEAR TRANSMISSIVE POLYCARBONATE WITH FLAMABILITY RATING OF 94-V0.
 2. COMPONENT DESIGNED TO BE PRESS-FIT INTO .062" THICK P.C. BOARD.
 3. LIGHTSOURCE: SMT LED (CML P/N: CMDA6DY7D1S YELLOW & CMDA6AR7D1S RED).

SDRC FILE NAME: 7511B50.mf1

DIM ARE IN INCHES		Q FOR INSPECTION USE ONLY		X SPC DOCUMENTATION REQ. (X R CHARTS)	
THIS DWG IS THE PROPERTY OF CHICAGO MINIATURE LAMP, INC AND IS PROPRIETARY IN GENERAL AND IN DETAIL. IT SHALL NOT BE COPIED OR ITS CONTENTS REVEALED TO OUTSIDE PARTIES WITHOUT THE WRITTEN CONSENT OF CHICAGO MINIATURE LAMP, INC.		DRAWN BY M.C.	DATE 6-8-01	PART NO 7511B50	 CHICAGO MINIATURE LAMP, INC. 147 CENTRAL AVE. HACKENSACK, NJ 07601
		CHECKED BY	DATE	MODEL NO	
		ENG. APPRV.	DATE	MOLD NO	TITLE QUAD-LEVEL LIGHTPIPE
		UNLESS OTHERWISE SPECIFIED TOLERANCES ON: .XX +/- .015 .XXX +/- .010 ANGLE +/- 1 DEG.		MATERIAL	DIST. S
				FINISH	DWG NO B17181
					REV C
				SCALE 4:1	SHEET