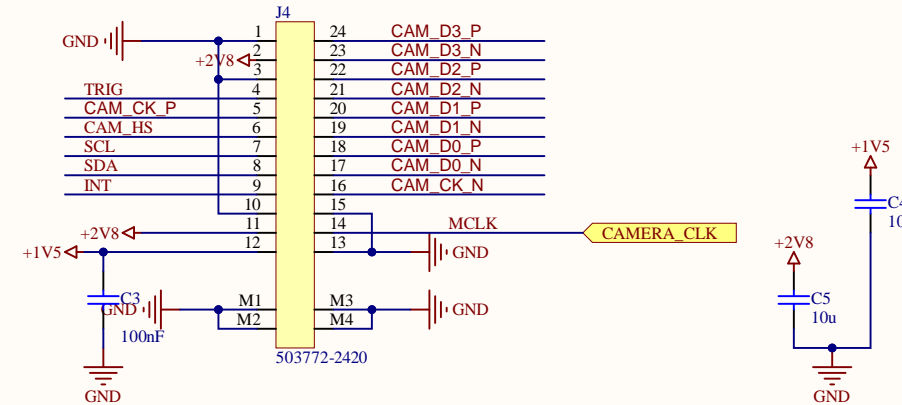


Reference Designs ARE PROVIDED "AS IS" AND "WITH ALL FAULTS. Arduino SA DISCLAIMS ALL OTHER WARRANTIES, EXPRESS OR IMPLIED, REGARDING PRODUCTS, INCLUDING BUT NOT LIMITED TO, ANY IMPLIED WARRANTIES OF MERCHANTABILITY OR FITNESS FOR A PARTICULAR PURPOSE.
 Arduino SA may make changes to specifications and product descriptions at any time, without notice. The Customer must not rely on the absence or characteristics of any features or instructions marked "reserved" or "undefined".
 Arduino SA reserves these for future definition and shall have no responsibility whatsoever for conflicts or incompatibilities arising from future changes to them. The product information on the Web Site or Materials is subject to change without notice.
 Do not finalize a design with this info. ARDUINO and other Arduino brands and logos and Trademarks of Arduino SA. All Arduino SA Trademarks cannot be used without owner's formal permission.

HM01B0 (F view)



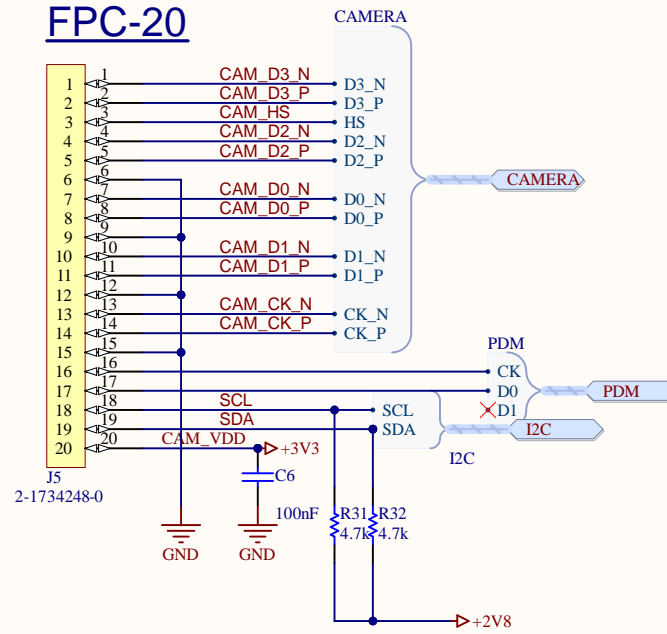
HM01B0 Pinout

Pin no.	Pin name	Type	Description
1	AGND	Ground	Analog ground.
2	AVDD28	Power	Analog power. (2.8V)
3	DGND	Ground	Digital ground.
4	TRIG	In	Frame trigger input. (Internal pull down / Active high)
5	FLVD	Out	Frame valid output.
6	LVLVD	Out	Line valid output.
7	SCL	In	I2C serial clock.
8	SDA	In/Out	Serial data I/O. (Open drain)
9	INT	Out	Interrupt output. (Active high)
10	DGND	Ground	Digital ground.
11	IOVDD18	Power	IO power. (1.8V)
12	DVDD15	Power	Core digital power. (1.5V)
13	DGND	Ground	Digital ground.
14	MCLK	In	Master clock input.
15	DGND	Ground	Digital ground.
16	PCLK	Out	Pixel clock.
17	D0	Out	Data 0 output.
18	D1	Out	Data 1 output.
19	D2	Out	Data 2 output.
20	D3	Out	Data 3 output.
21	D4	Out	Data 4 output.
22	D5	Out	Data 5 output.
23	D6	Out	Data 6 output.
24	D7	Out	Data 7 output.

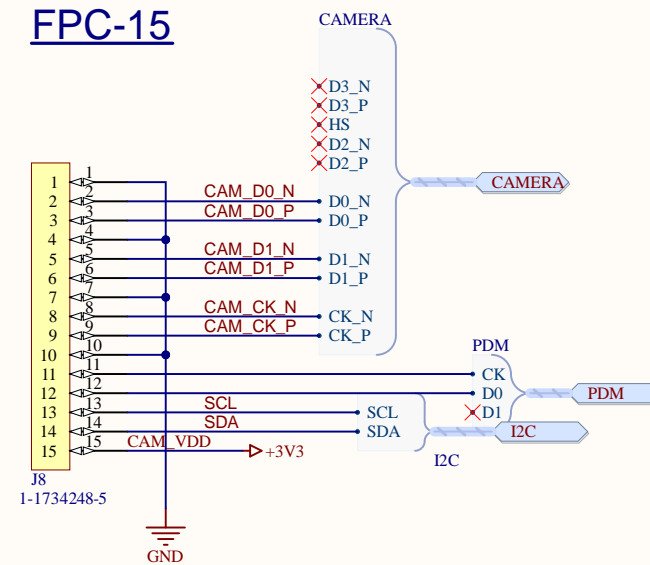
Note: (1) HM01B0 sensor default slave address: 0x24.

Table 2.1: Pin map and description of camera module

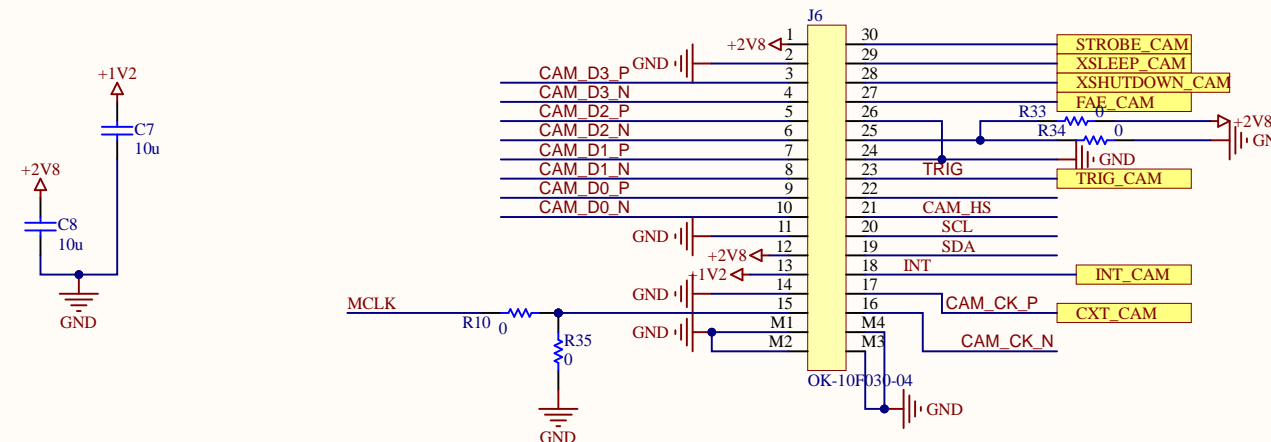
FPC-20



FPC-15



HM0360 (F View)



HM0360 Pinout

Pin no.	Pin name	Type	Description
1	AVDD	Power	Analog power. (2.8V)
2	GND	Ground	Ground.
3	D7	Out	Data 7 output.
4	D6	Out	Data 6 output.
5	D5	Out	Data 5 output.
6	D4	Out	Data 4 output.
7	D3	Out	Data 3 output.
8	D2	Out	Data 2 output.
9	D1	Out	Data 1 output.
10	D0	Out	Data 0 output.
11	GND	Ground	Ground.
12	IOVDD	Power	IO power. (1.8V / 2.8V)
13	DVDD	Power	Digital power. (1.2V)
14	GND	Ground	Ground.
15	MCLK	In	Master clock input. (Connected to DGND when using internal oscillator)
16	PCLK	Out	Pixel clock / Serial clock output.
17	CXT_SEL	In	Context switching selection. (Internal pull low)
18	INT	Out	Interrupt output. (Active high)
19	SDA	In/Out	Serial Data I/O. (Open drain)
20	SCL	In	I2C serial clock.
21	HVLD	Out	Line valid output.
22	FVLD	Out	Frame valid output.
23	TRIGGER	In	Frame trigger input. (Internal pull low / Active high)
24	GND	Ground	Ground.
25	CLK_SEL	In	Clock source select. (Internal pull low, Low: Oscillator, High: MCLK, connect to ground for oscillator mode)
26	RTC	In	Real time clock source input. (Must not be left floating, connected to DGND without RTC clock input)
27	FAE	In	Exposure meter enable pin. (Internal pull low / Active high)
28	XSHUTDOWN	In	Reset and power down control pin. (Active low)
29	XSLEEP	In	Low power sleep mode. (Active low)
30	STROBE	Out	Strobe output.

Note: (1) HM0360 sensor default slave address: 0x24.

Table 2.1: Pin map and description of camera module

Reference Designs ARE PROVIDED "AS IS" AND "WITH ALL FAULTS". Arduino SA DISCLAIMS ALL OTHER WARRANTIES, EXPRESS OR IMPLIED, REGARDING PRODUCTS, INCLUDING BUT NOT LIMITED TO, ANY IMPLIED WARRANTIES OF MERCHANTABILITY OR FITNESS FOR A PARTICULAR PURPOSE.
 Arduino SA may make changes to specifications and product descriptions at any time, without notice. The Customer must not rely on the absence or characteristics of any features or instructions marked "reserved" or "undefined".
 Arduino SA reserves these for future definition and shall have no responsibility whatsoever for conflicts or incompatibilities arising from future changes to them. The product information on the Web Site or Materials is subject to change without notice.
 Do not finalize a design with this info. ARDUINO and other Arduino brands and logos and Trademarks of Arduino SA. All Arduino SA Trademarks cannot be used without owner's formal permission.

Titolo: CameraShield

ID: *

Date: 10/6/2020 Time: 1:58:39 PM Sheet 3 of 8

File: Camera_SchDoc

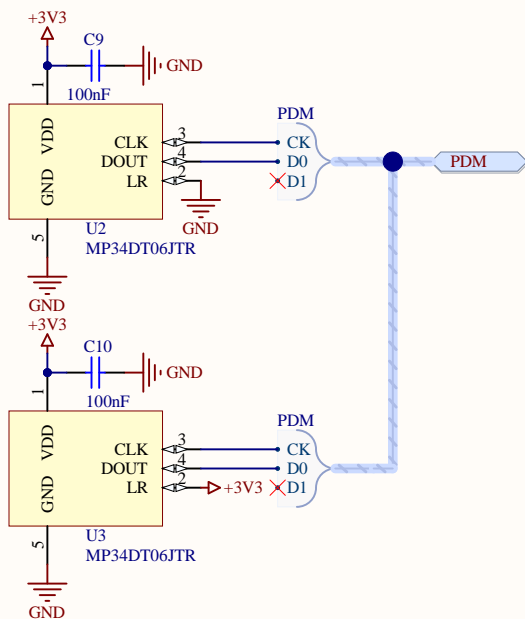
Revision: *

Author: Francesca Cenna



Rev author



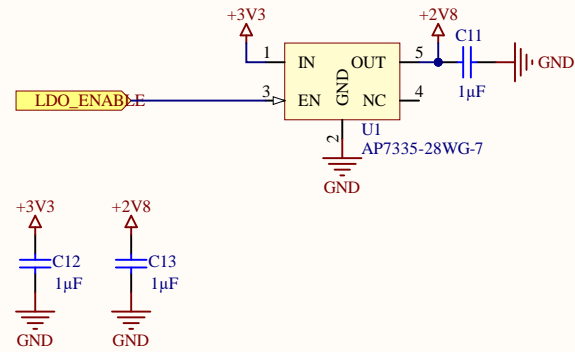
Mi CS



Reference Designs ARE PROVIDED "AS IS" AND "WITH ALL FAULTS. Arduino SA DISCLAIMS ALL OTHER WARRANTIES, EXPRESS OR IMPLIED, REGARDING PRODUCTS, INCLUDING BUT NOT LIMITED TO, ANY IMPLIED WARRANTIES OF MERCHANTABILITY OR FITNESS FOR A PARTICULAR PURPOSE. Arduino SA may make changes to specifications and product descriptions at any time, without notice. The Customer must not rely on the absence or characteristics of any features or instructions marked "reserved" or "undefined". Arduino SA reserves these for future definition and shall have no responsibility whatsoever for conflicts or incompatibilities arising from future changes to them. The product information on the Web Site or Materials is subject to change without notice. Do not finalize a design with this info. ARDUINO and other Arduino brands and logos and Trademarks of Arduino SA. All Arduino SA Trademarks cannot be used without owner's formal permission.

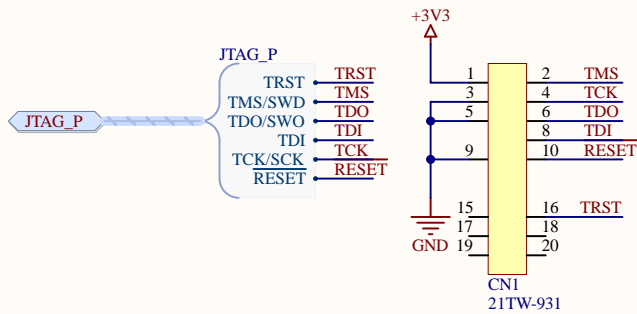
Title: CameraShield		 	
ID: *	Revision:		
Date: 10/6/2020	Time: 1: 58: 40 PM	Sheet: 4	of 8
File: Mi cs. SchDoc		Author: Francesca Cenna	RevAuthor: *

LDOs





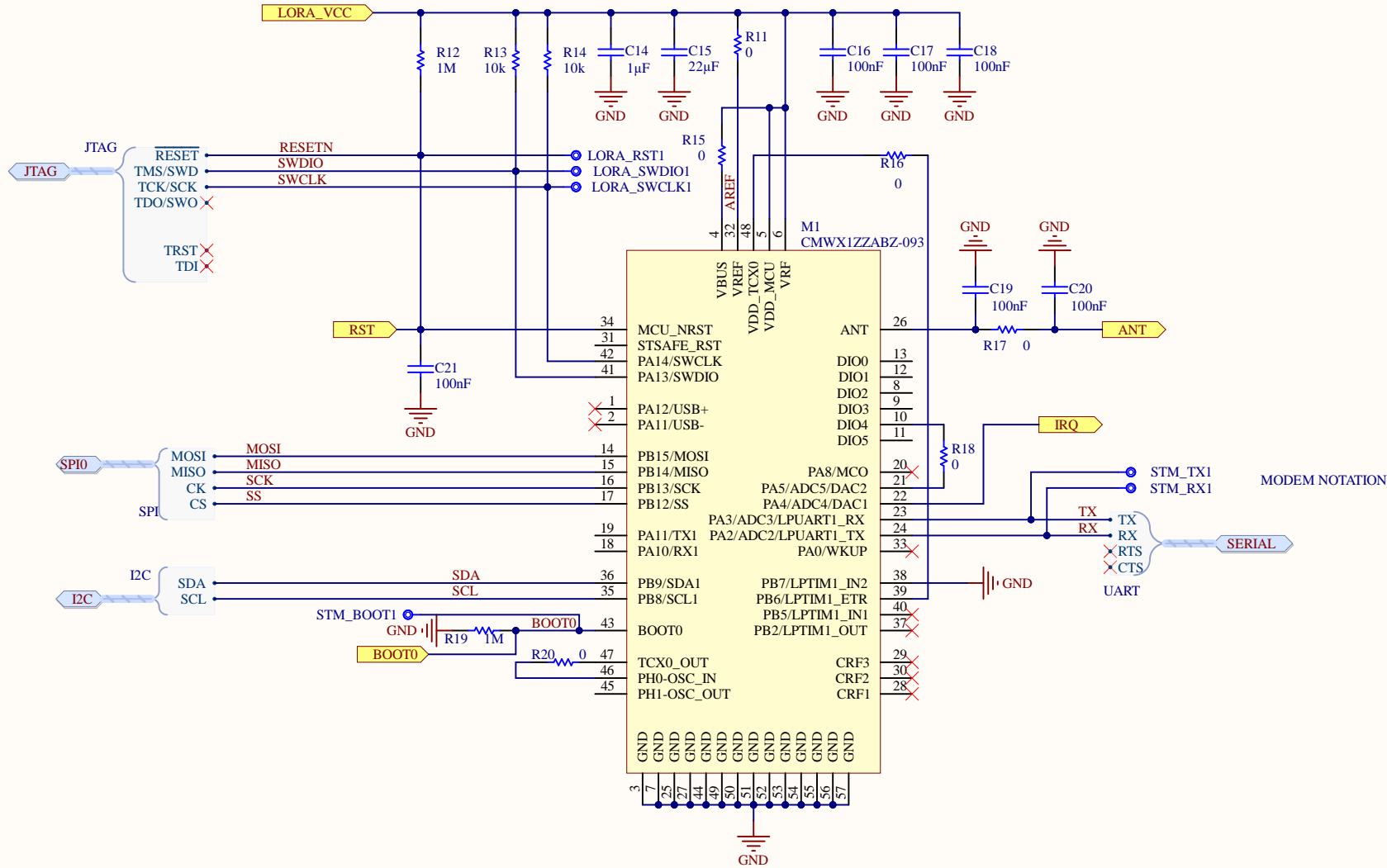
Reference Designs ARE PROVIDED "AS IS" AND "WITH ALL FAULTS. Arduino SA DISCLAIMS ALL OTHER WARRANTIES, EXPRESS OR IMPLIED, REGARDING PRODUCTS, INCLUDING BUT NOT LIMITED TO, ANY IMPLIED WARRANTIES OF MERCHANTABILITY OR FITNESS FOR A PARTICULAR PURPOSE. Arduino SA may make changes to specifications and product descriptions at any time, without notice. The Customer must not rely on the absence or characteristics of any features or instructions marked "reserved" or "undefined". Arduino SA reserves these for future definition and shall have no responsibility whatsoever for conflicts or incompatibilities arising from future changes to them. The product information on the Web Site or Materials is subject to change without notice. Do not finalize a design with this info. ARDUINO and other Arduino brands and logos and Trademarks of Arduino SA. All Arduino SA Trademarks cannot be used without owner's formal permission.

ID: *		Revision:			
Date: 10/6/2020 Time: 1: 58: 40 PM		Sheet 6 of 8			
File: LDOs_SchDoc		Author: Francesca Cenna		RevAuthor: *	



Reference Designs ARE PROVIDED "AS IS" AND "WITH ALL FAULTS. Arduino SA DISCLAIMS ALL OTHER WARRANTIES, EXPRESS OR IMPLIED, REGARDING PRODUCTS, INCLUDING BUT NOT LIMITED TO, ANY IMPLIED WARRANTIES OF MERCHANTABILITY OR FITNESS FOR A PARTICULAR PURPOSE. Arduino SA may make changes to specifications and product descriptions at any time, without notice. The Customer must not rely on the absence or characteristics of any features or instructions marked "reserved" or "undefined". Arduino SA reserves these for future definition and shall have no responsibility whatsoever for conflicts or incompatibilities arising from future changes to them. The product information on the Web Site or Materials is subject to change without notice. Do not finalize a design with this info. ARDUINO and other Arduino brands and logos and Trademarks of Arduino SA. All Arduino SA Trademarks cannot be used without owner's formal permission.

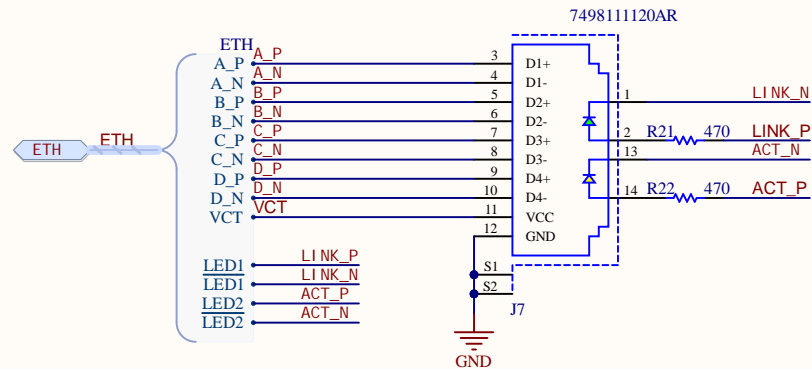
Title: CameraShield		Revisi on:		 
ID: *	Date: 10/6/2020	Time: 1: 58: 41 PM	Sheet of *	
File: JTAG_SchDoc		Author: Francesca Cenna		RevAuthor: *



Reference Designs ARE PROVIDED "AS IS" AND "WITH ALL FAULTS. Arduino SA DISCLAIMS ALL OTHER WARRANTIES, EXPRESS OR IMPLIED, REGARDING PRODUCTS, INCLUDING BUT NOT LIMITED TO, ANY IMPLIED WARRANTIES OF MERCHANTABILITY OR FITNESS FOR A PARTICULAR PURPOSE. Arduino SA may make changes to specifications and product descriptions at any time, without notice. The Customer must not rely on the absence or characteristics of any features or instructions marked "reserved" or "undefined". Arduino SA reserves these for future definition and shall have no responsibility whatsoever for conflicts or incompatibilities arising from future changes to them. The product information on the Web Site or Materials is subject to change without notice. Do not finalize a design with this info. ARDUINO and other Arduino brands and logos and Trademarks of Arduino SA. All Arduino SA Trademarks cannot be used without owner's formal permission.

Title LORA MODULE		Revision: *	
Size:	Number: *	Date: 10/6/2020	Time: 1:58:41 PM
File: SCH-00004-7_ann.SchDoc		Sheet * of *	Author *

Rev author

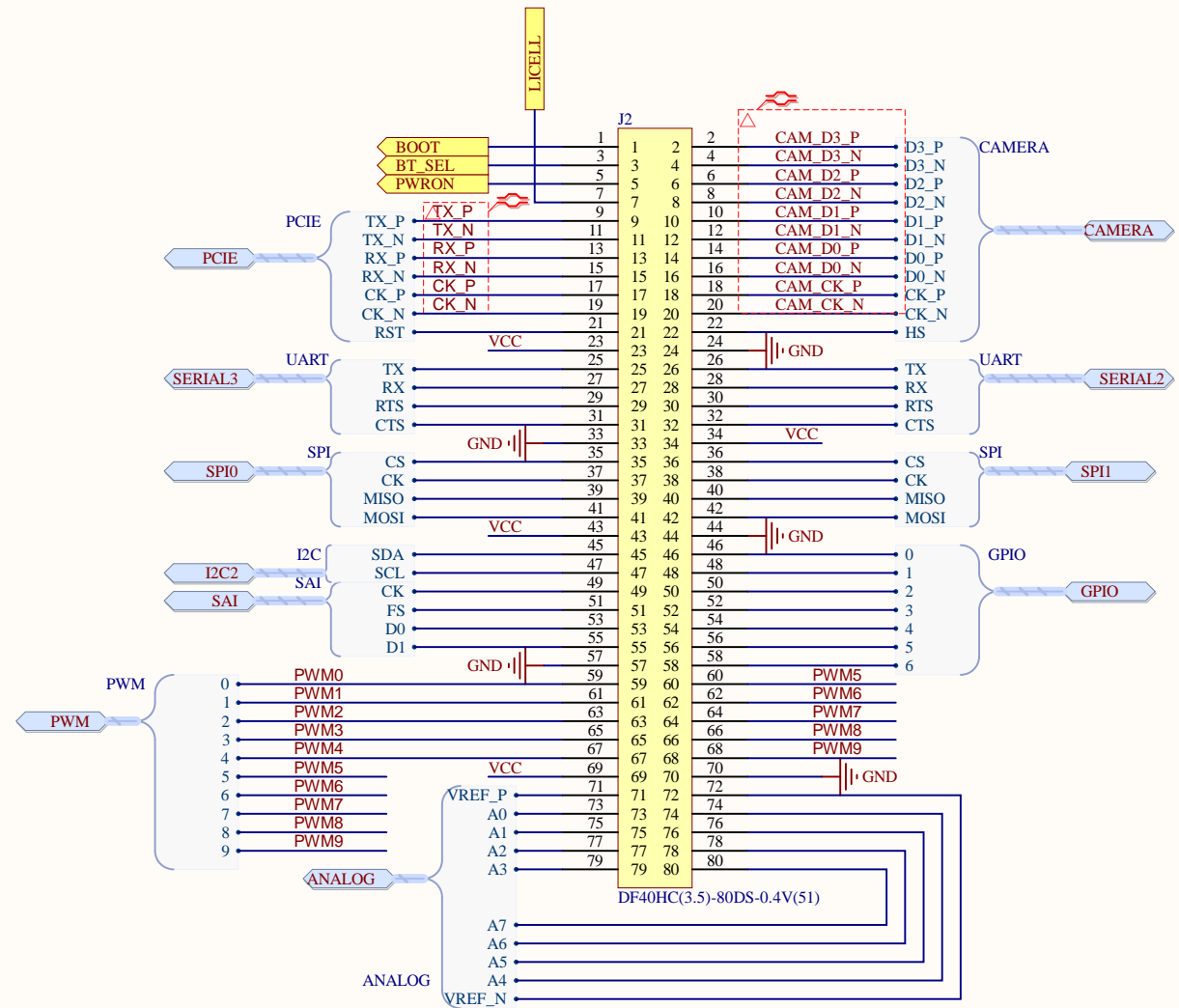
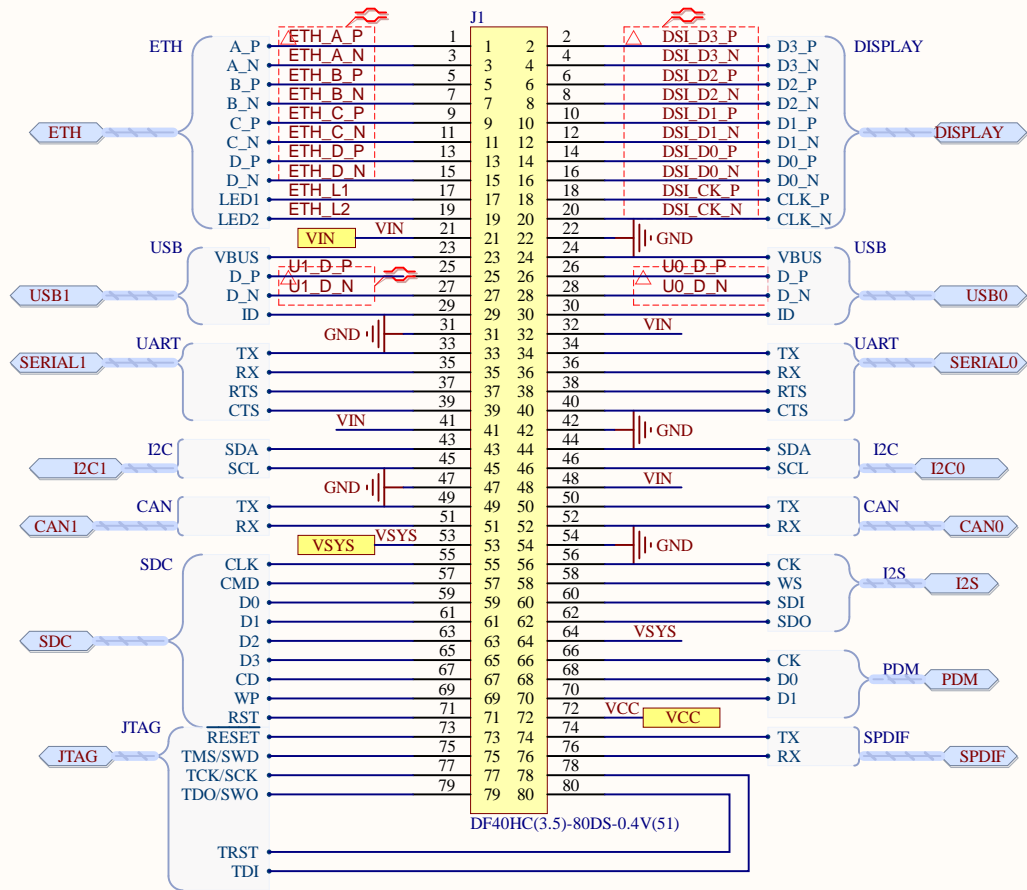


Reference Designs ARE PROVIDED "AS IS" AND "WITH ALL FAULTS. Arduino SA DISCLAIMS ALL OTHER WARRANTIES, EXPRESS OR IMPLIED, REGARDING PRODUCTS, INCLUDING BUT NOT LIMITED TO, ANY IMPLIED WARRANTIES OF MERCHANTABILITY OR FITNESS FOR A PARTICULAR PURPOSE. Arduino SA may make changes to specifications and product descriptions at any time, without notice. The Customer must not rely on the absence or characteristics of any features or instructions marked "reserved" or "undefined". Arduino SA reserves these for future definition and shall have no responsibility whatsoever for conflicts or incompatibilities arising from future changes to them. The product information on the Web Site or Materials is subject to change without notice. Do not finalize a design with this info. ARDUINO and other Arduino brands and logos and Trademarks of Arduino SA. All Arduino SA Trademarks cannot be used without owner's formal permission.

Title: Ethernet 7498111120AR	
ID: *	Revision:
Date: 10/6/2020 Time: 1: 58: 42 PM	Sheet of *
File: SCH-00005-6_ann. SchDoc	Author:



RevAuthor: *



Reference Designs ARE PROVIDED "AS IS" AND "WITH ALL FAULTS". Arduino SA DISCLAIMS ALL OTHER WARRANTIES, EXPRESS OR IMPLIED, REGARDING PRODUCTS, INCLUDING BUT NOT LIMITED TO, ANY IMPLIED WARRANTIES OF MERCHANTABILITY OR FITNESS FOR A PARTICULAR PURPOSE.

Arduino SA may make changes to specifications and product descriptions at any time, without notice. The Customer must not rely on the absence or characteristics of any features or instructions marked "reserved" or "undefined".

Arduino SA reserves these for future definition and shall have no responsibility whatsoever for conflicts or incompatibilities arising from future changes to them. The product information on the Web Site or Materials is subject to change without notice.

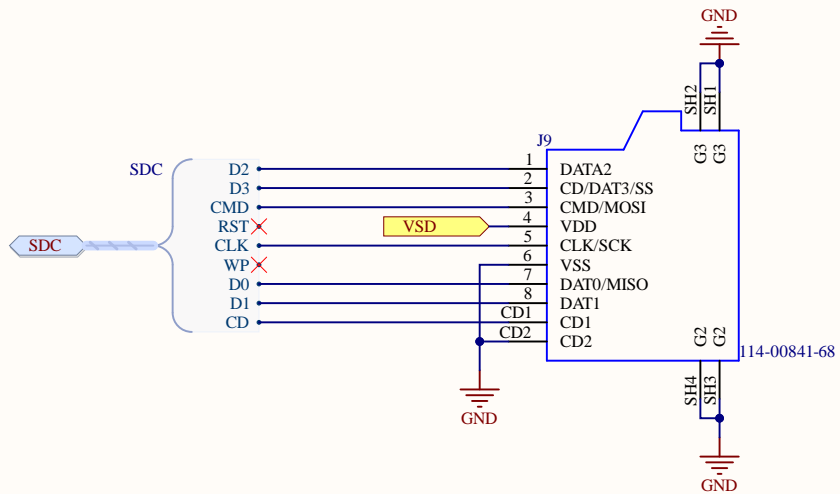
Do not finalize a design with this info. ARDUINO and other Arduino brands and logos and Trademarks of Arduino SA. All Arduino SA Trademarks cannot be used without owner's formal permission.

Ti t l **DF40-SOCKET**

ID: *
 Date: 10/6/2020 Time: 1: 58: 42 PM Sheet * of *
 File: SCH-00007-11_ann_SchDoc Author



Rev author



Reference Designs ARE PROVIDED "AS IS" AND "WITH ALL FAULTS. Arduino SA DISCLAIMS ALL OTHER WARRANTIES, EXPRESS OR IMPLIED, REGARDING PRODUCTS, INCLUDING BUT NOT LIMITED TO, ANY IMPLIED WARRANTIES OF MERCHANTABILITY OR FITNESS FOR A PARTICULAR PURPOSE. Arduino SA may make changes to specifications and product descriptions at any time, without notice. The Customer must not rely on the absence or characteristics of any features or instructions marked "reserved" or "undefined". Arduino SA reserves these for future definition and shall have no responsibility whatsoever for conflicts or incompatibilities arising from future changes to them. The product information on the Web Site or Materials is subject to change without notice. Do not finalize a design with this info. ARDUINO and other Arduino brands and logos and Trademarks of Arduino SA. All Arduino SA Trademarks cannot be used without owner's formal permission.

Title: CameraShield		Revision:	
ID: *	Sheet of *		
Date: 10/6/2020	Time: 1: 58: 43 PM	Author: Francesca Cenna	RevAuthor: *
File: SCH-00009-2_ann. SchDoc			