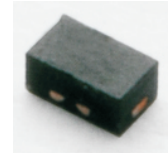


CDBZ0130L-A1HF

$I_o = 100 \text{ mA}$
 $V_R = 30 \text{ Volts}$
RoHS Device
Halogen Free



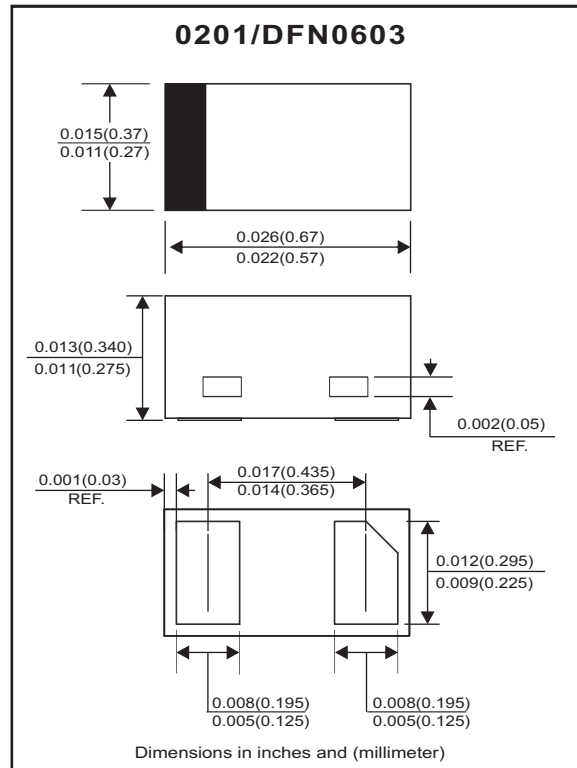
Features

- Small surface mounting type.
- Low reverse current and low forward voltage.
- High reliability.

Mechanical data

- Case: 0201/DFN0603 package, molded plastic.
- Terminals: Gold plated, solderable per MIL-STD-750, method 2026.
- Polarity: Color band denotes cathode end.
- Mounting position: Any

Circuit diagram



Maximum Rating (at $T_A=25^\circ\text{C}$ unless otherwise noted)

Parameter	Symbol	Limit	Unit
Repetitive peak reverse voltage	V_{RRM}	30	V
Reverse voltage	V_R	30	V
RMS reverse voltage	$V_{R(RMS)}$	21	V
Average rectified output current	I_o	100	mA
Non-repetitive peak forward surge current @ $t=8.3\text{ms}$	I_{FSM}	0.5	A
Power dissipation	P_d	100	mW
Thermal resistance from junction to ambient	$R_{\theta JA}$	1000	$^\circ\text{C/W}$
Junction temperature range	T_J	+125	$^\circ\text{C}$
Storage temperature range	T_{STG}	-55 ~ +150	$^\circ\text{C}$

Electrical Characteristics (at $T_A=25^\circ\text{C}$ unless otherwise noted)

Parameter	Conditions	Symbol	Min	Typ	Max	Unit
Reverse current	$V_R = 10\text{V}$	I_R			10	μA
	$V_R = 30\text{V}$				50	μA
Forward voltage	$I_F = 10\text{mA}$	V_F			0.38	V
	$I_F = 100\text{mA}$				0.80	V

RATING AND CHARACTERISTIC CURVES (CDBZ0130L-A1HF)

Fig.1 - Forward Characteristics

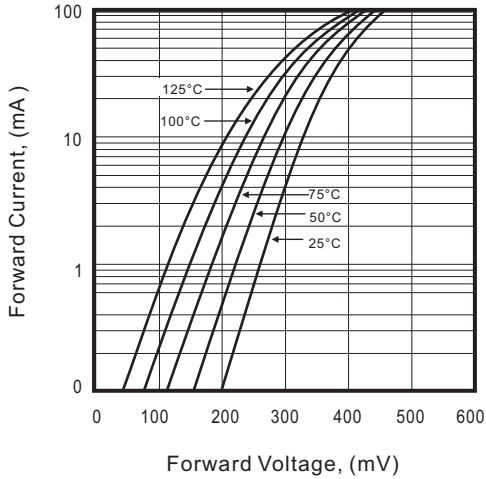


Fig.2 - Reverse Characteristics

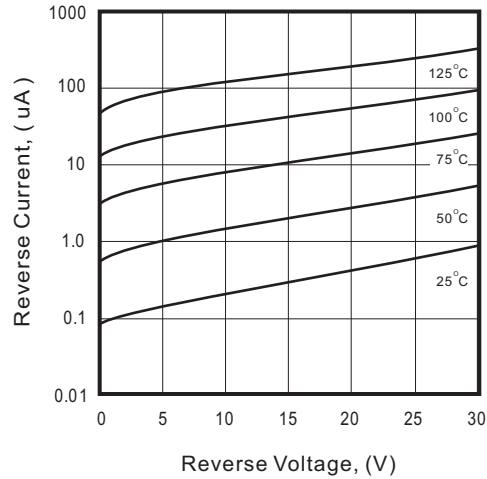


Fig.3 - Capacitance Characteristics

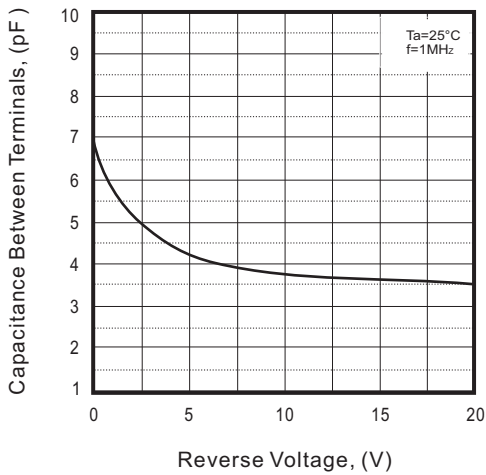
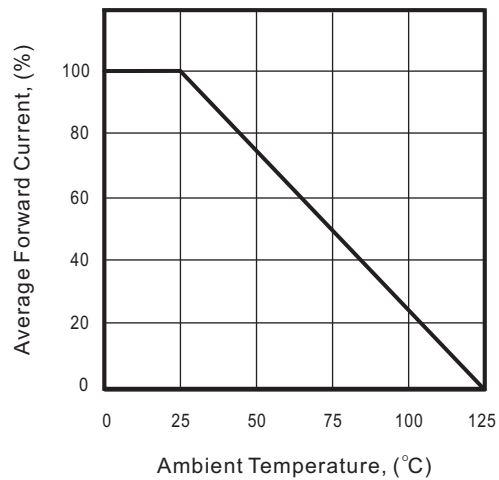
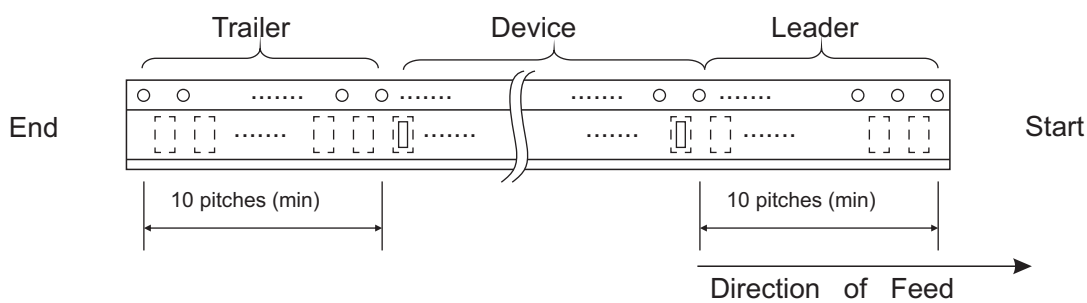
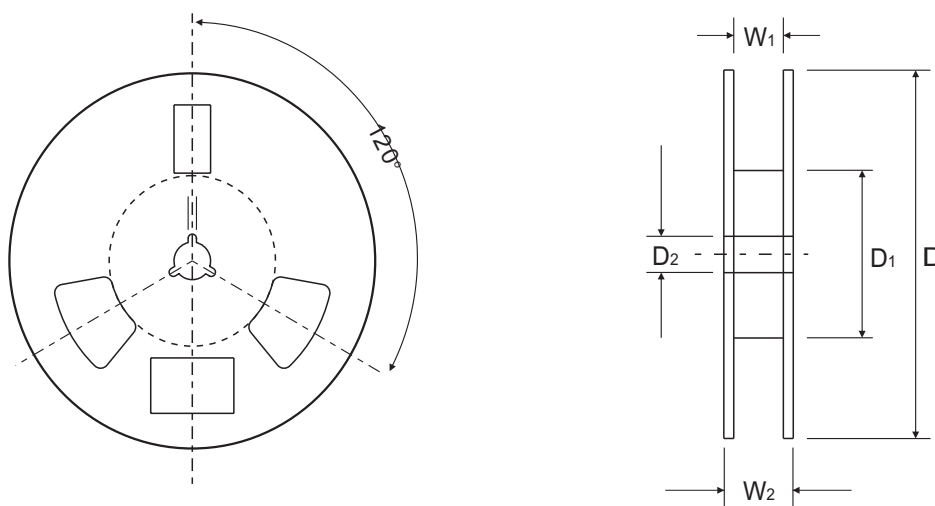
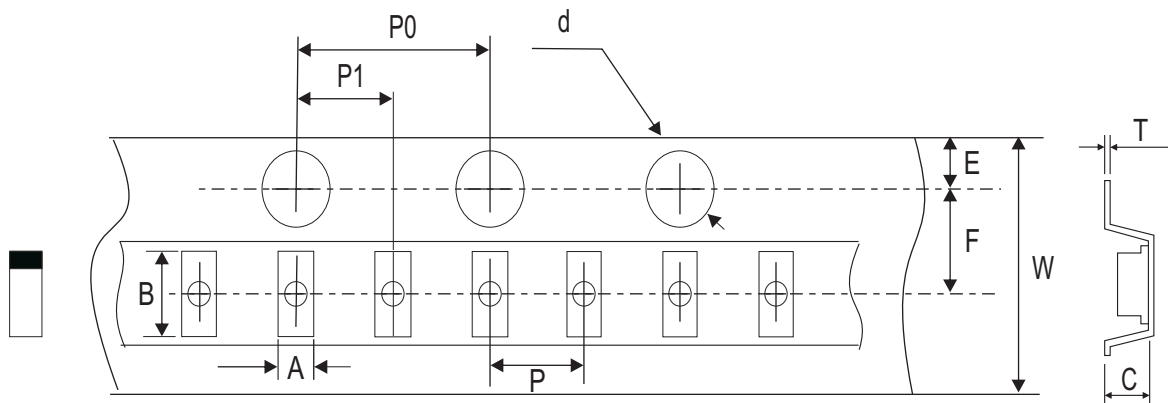


Fig.4 - Current Derating Curve



Reel Taping Specification



	SYMBOL	A	B	C	d	D	D ₁	D ₂	W
0201 (DFN0603)	(mm)	0.39 + 0.03 - 0.02	0.72 ± 0.05	0.36 ± 0.03	1.50 + 0.10	178 ± 1.00	54.4 ± 0.40	13.0 ± 0.20	8.00 ± 0.10
	(inch)	0.015 + 0.001 - 0.001	0.028 ± 0.002	0.014 ± 0.001	0.059 + 0.004	7.008 ± 0.039	2.142 ± 0.016	0.512 ± 0.008	0.315 ± 0.004

	SYMBOL	E	F	P	P ₀	P ₁	T	W ₁	W ₂
0201 (DFN0603)	(mm)	1.75 ± 0.10	3.50 ± 0.05	2.00 ± 0.05	4.00 ± 0.05	2.00 ± 0.05	0.23 ± 0.05	9.50 ± 1.00	12.30 ± 0.10
	(inch)	0.069 ± 0.004	0.138 ± 0.002	0.079 ± 0.002	0.157 ± 0.002	0.079 ± 0.002	0.009 ± 0.002	0.374 ± 0.039	0.484 ± 0.004

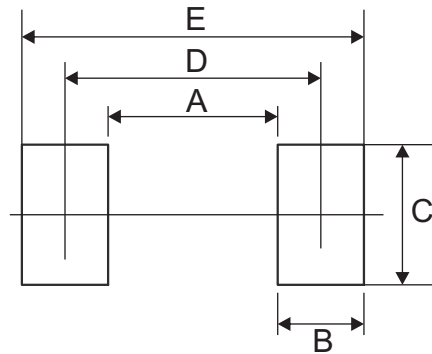
Marking Code

Part Number	Marking Code
CDBZ0130L-A1HF	F



Suggested PAD Layout

SIZE	0201(DFN0603)	
	(mm)	(inch)
A	0.16	0.006
B	0.24	0.009
C	0.34	0.013
D	0.40	0.016
E	0.64	0.025



Standard Packaging

Case Type	Qty Per Reel	Reel Size
	(Pcs)	(inch)
0201(DFN0603)	10,000	7