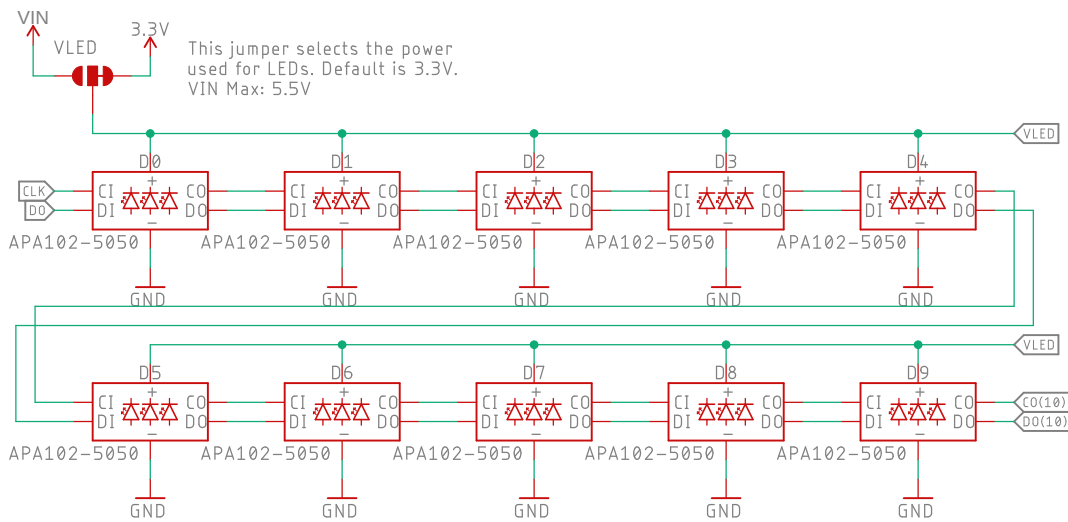
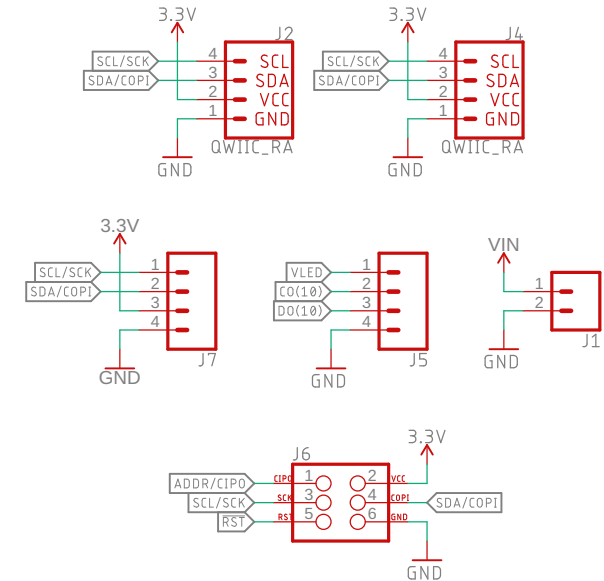


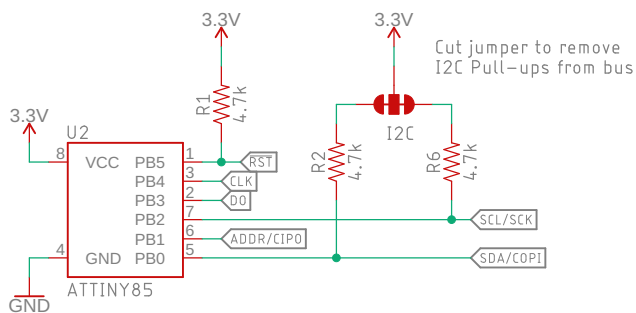
APA102



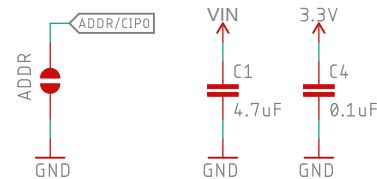
Connectors



Attiny85



I2C Address Selection
Open Jumper (Default): 0x23
Closed Jumper: 0x22



Power LED

Cut jumper to disable PWR LED



Operating voltage: 2.7V - 5.5V
7-bit unshifted I2C address: 0x23

sparkfun

qwiiic
open hardware

Released under the Creative Commons

Attribution Share-Alike 4.0 License

<https://creativecommons.org/licenses/by-sa/4.0/>



TITLE: Qwiiic LED Stick

Design by: Ciara Jekel

Revised by: Priyanka Makin

REV:
v10

Date: 6/10/2021 2:54 PM

Sheet: 1/1