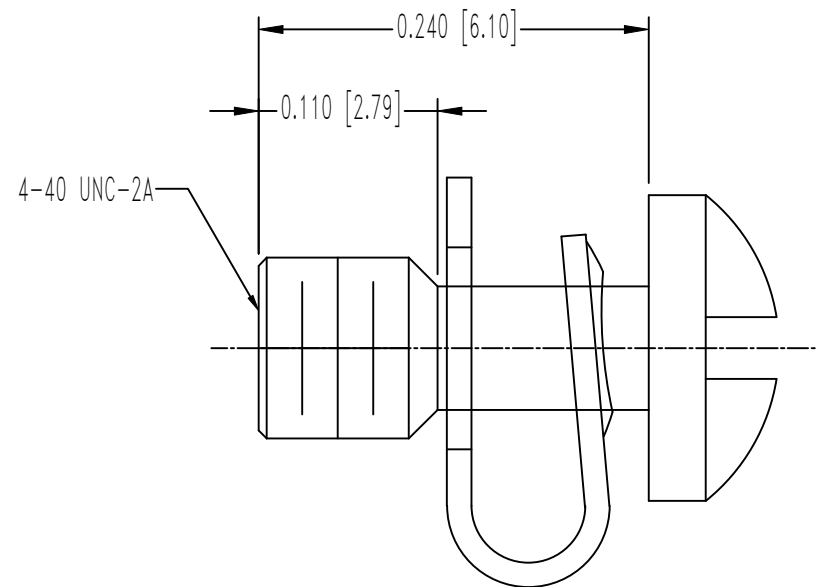
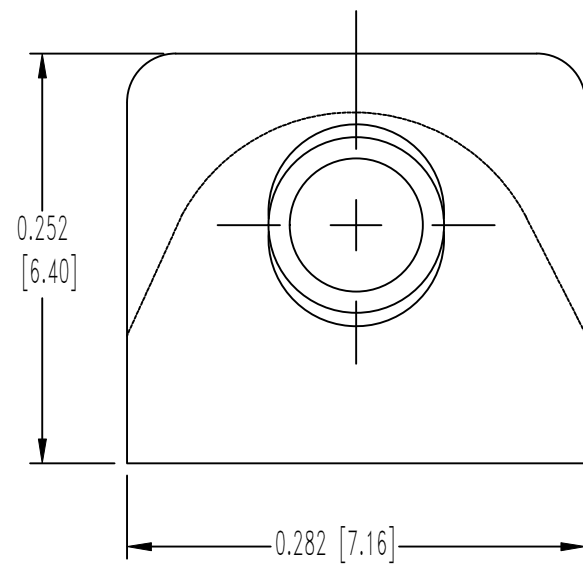


SK12913

THIS DRAWING CONTAINS INFORMATION PROPRIETARY TO POSITRONIC AND ITS SUBSIDIARIES. POSITRONIC BELIEVES THE DATA ON THIS DRAWING TO BE RELIABLE, SINCE THE TECHNICAL INFORMATION IS GIVEN FREE OF CHARGE. THE USER EMPLOYS SUCH INFORMATION AT HIS OWN DISCRETION AND RISK. POSITRONIC ASSUMES NO RESPONSIBILITY FOR RESULTS OBTAINED OR DAMAGES INCURRED FROM USE OF SUCH INFORMATION IN WHOLE OR IN PART.

DATE	REV	REVISION RECORD	APP	DR	CK
11-11	NC	ECO 34662	COLE	BE	COLE
8-8-13	A	ECO 40370	COLE	BE	COLE



NOTES:

- MATERIALS AND FINISHES:  
CAPTIVE SCREW: STEEL, ZINC PLATE WITH CHROMATE SEAL.  
U-CLIP: SPRING STEEL, ZINC PLATE WITH CHROMATE SEAL.
- PARTS TO BE SUPPLIED IN QUANTITIES OF 2 EACH.
- DETAILED PRODUCT, ELECTRICAL, AND MECHANICAL INFORMATION IS AVAILABLE IN THE LATEST D-SUBMINIATURE ACCESSORIES PRODUCT PUBLICATION. VISIT [CONNECTPOSITRONIC.COM/PRODUCTS/58/D-SUBMINIATUREACCESSORIES](http://CONNECTPOSITRONIC.COM/PRODUCTS/58/D-SUBMINIATUREACCESSORIES) OR [CONNECTPOSITRONIC.COM](http://CONNECTPOSITRONIC.COM).
- ACCESSORY IS COMPLIANT TO THE CURRENT ROHS DIRECTIVE.
- DIMENSIONS ARE IN INCHES [MILLIMETERS].

	<b>POSITRONIC INDUSTRIES INC.</b> <a href="http://www.connectpositronic.com">www.connectpositronic.com</a>		FSCM 28198
		D SERIES	SCALE N.T.S.
DECIMAL TOL. $\pm 0.015$ [0.38]	TITLE D00000E20/AA		
ANGULAR TOL. $\pm 5^\circ$	DATE 11-1-11	DRAWING NUMBER SK12913	REV. A
		APPROVED BY COLE	