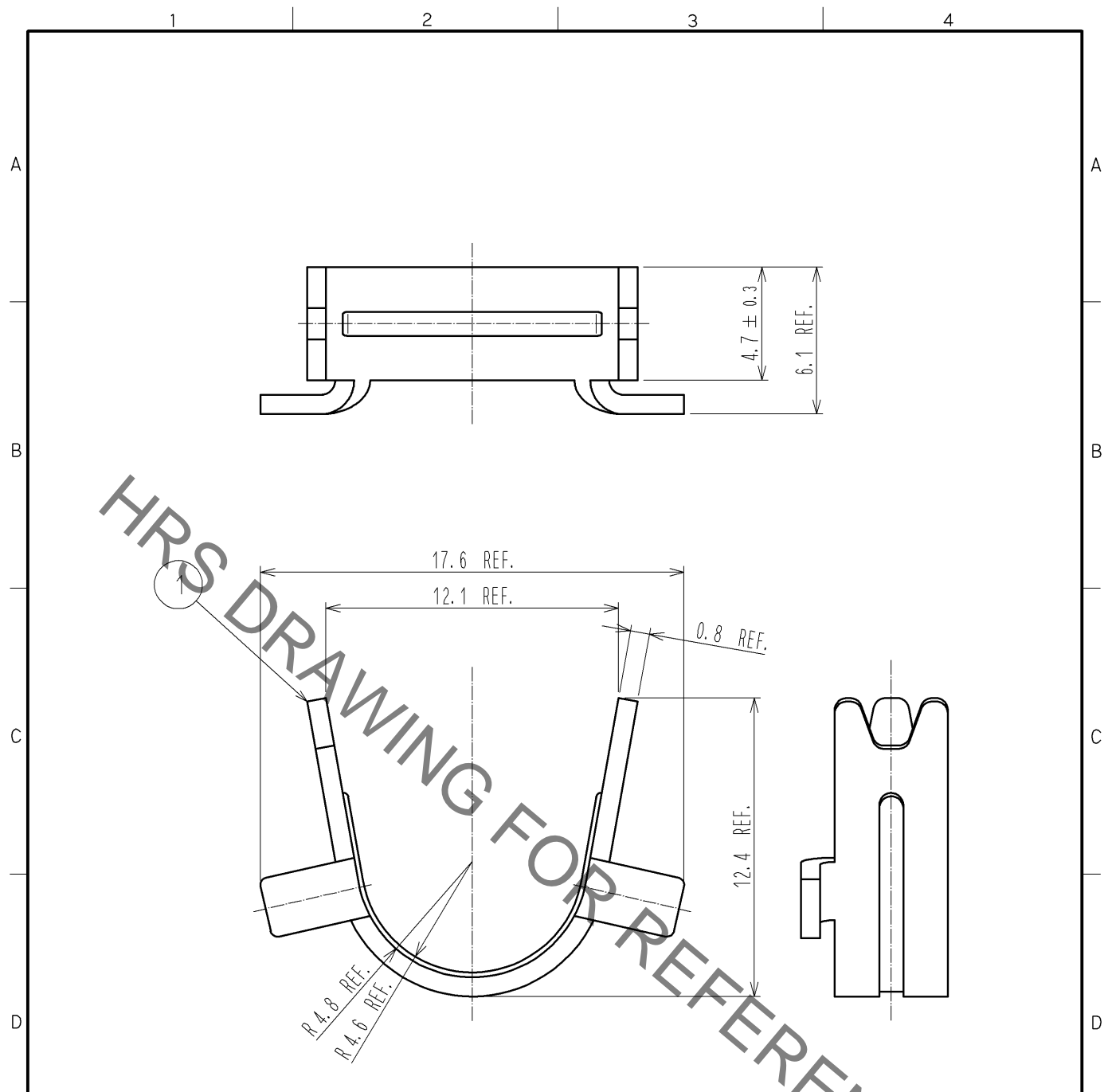


Aug.1.2019 Copyright 2019 HIROSE ELECTRIC CO., LTD. All Rights Reserved.
 In case of consideration for using Automotive equipment / device which demand high reliability, kindly contact our sales window correspondents.



NOTE 1. THIS PRODUCT IS A CLAMP FOR A COVER CASE 'DH-37-C**B'
 2. THE APPLICABLE CABLE DIAMETER IS $\phi 8.8$
 △ 3. THIS PRODUCT IS PACKED IN A BAG.
 (QUANTITY PER BAG MAY VARY DUE TO THE AMOUNT OF EACH ORDER.)

NO.		MATERIAL		FINISH . REMARKS		1		BRASS		FINISH . REMARKS			
UNITS mm		SCALE 4 : 1		COUNT △ 1		DESCRIPTION OF REVISIONS DIS-E-003059		DESIGNED MO. SHIMOYAMA		CHECKED KN. ICHIKAWA		DATE 09.12.07	
HIROSE ELECTRIC CO., LTD.		APPROVED : AO. SUZUKI		09.10.05		DRAWING NO.		EDC4-126659-00					
		CHECKED : KN. ICHIKAWA		09.10.02		PART NO.		DH-37-CMB(8.8)					
		DESIGNED : TU. TANIGUCHI		09.10.02		CODE NO.		CL244-0033-0-00					
		DRAWN : TU. TANIGUCHI		09.10.02						△ 1/1			