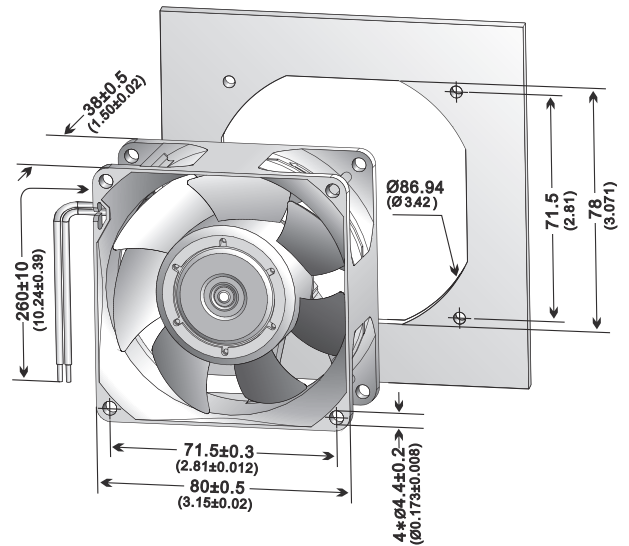


K-SERIES

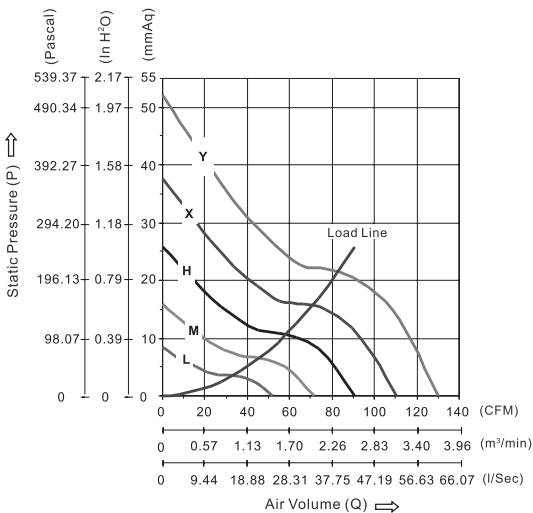


80 x 80 x 38 mm Series

Frame: Thermoplastic PBT (GF 30%), UL94-V0
 Impeller: Thermoplastic PBT (GF 15%), UL94-V0
 Bearing System: Ball Bearing
 Lead Wire: UL 1007, AWG 24 / 260 mm, Red (+), Black (-)
 Protection: Locked rotor protected for minimum 72 hours



PQ GRAPH (AT RATED VOLTAGE)



AVAILABLE FUNCTIONS

1a. IR	1b. AS	1c. MS	2a. FG	2b. RD	2c. RD _b	2d. LD	3. SG/PWM
●	●		●	●	●	●	●
4. OV	5a. TPWM	5b. RPWM	6. CL	7. CS	8a. VPWM	8b. IPWM	8c. PPWM
	●	●	●	●	●	●	●

Part Number	Voltage (VDC)	Current (Amp.)	Power (Watts)	Speed (RPM)	Air Flow (Q)		Pressure (P)		Noise (dBA)	Unit Weight (Q'TY/CTN)
					(CFM)	(m ³ /min)	(mmAq)	(In H ₂ O)		
K8038X12BPLBx-7	12 (07-14)	1.650	19.80	8000	103.92	2.944	29.55	1.163	60.60	198g (60pcs)
K8038H12BPLBx-7		1.100	13.20	7000	90.93	2.576	22.63	0.891	57.10	
K8038M12BPLBx-7		0.550	6.60	5500	71.44	2.020	13.97	0.550	50.80	
K8038L12BPLBx-7		0.250	3.00	4000	51.96	1.470	7.39	0.291	42.50	
K8038Y24BPLBx-7	24 (15-27)	1.350	32.40	10000	129.89	3.680	46.17	1.818	66.40	198g (60pcs)
K8038X24BPLBx-7		0.920	22.08	8500	110.40	3.127	33.66	1.325	62.20	
K8038H24BPLBx-7		0.500	12.00	7000	90.93	2.576	22.63	0.891	57.10	
K8038M24BPLBx-7		0.260	6.24	5500	71.44	2.020	13.97	0.550	50.80	
K8038L24BPLBx-7	0.130	3.12	4000	51.96	1.470	7.39	0.291	42.50		
K8038Y48BPLBx-7	48 (30-57)	0.650	31.20	10000	129.89	3.680	46.17	1.818	66.40	198g (60pcs)
K8038X48BPLBx-7		0.410	19.68	8500	110.40	3.127	33.66	1.325	62.20	
K8038H48BPLBx-7		0.250	12.00	7000	90.93	2.576	22.63	0.891	57.10	
K8038M48BPLBx-7		0.150	7.20	5500	71.44	2.020	13.97	0.550	50.80	
K8038L48BPLBx-7	0.080	3.84	4000	51.96	1.470	7.39	0.291	42.50		

- All MICRONEL fans listed here refer to double ball bearing types; Sleeve bearing types may consume about 10% more power for the same speed.
- Noise Measurements are taken with background noise of 16.8 dBA.
- Please see «Function Legend» for explanation of each function.
- Specifications are subject to change without notice.