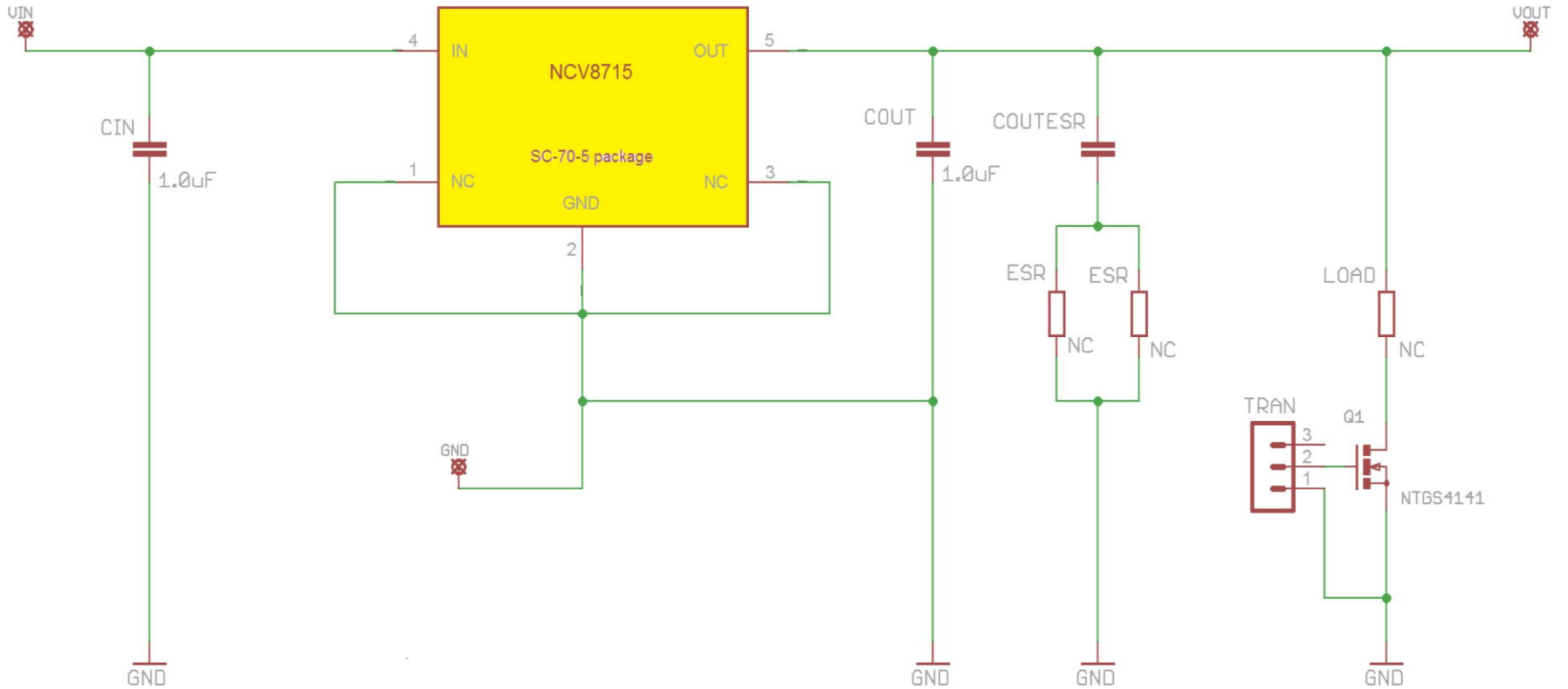


Schematic for the NCV8715SQT2GEVB Evaluation Board



ON Semiconductor®

