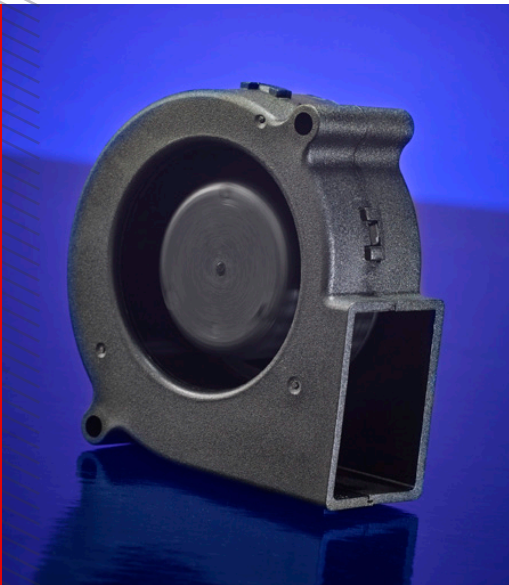


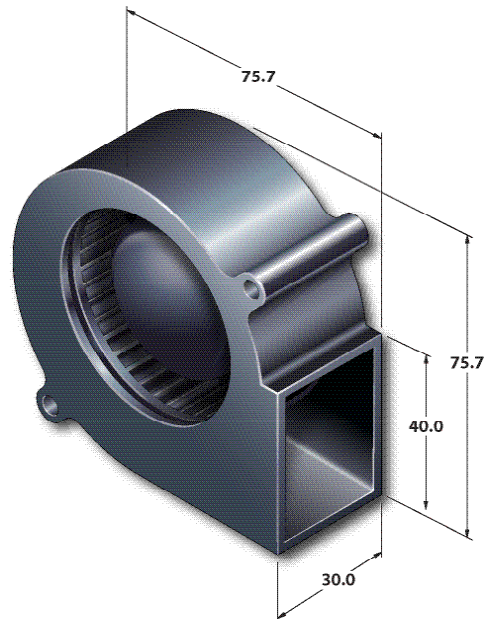
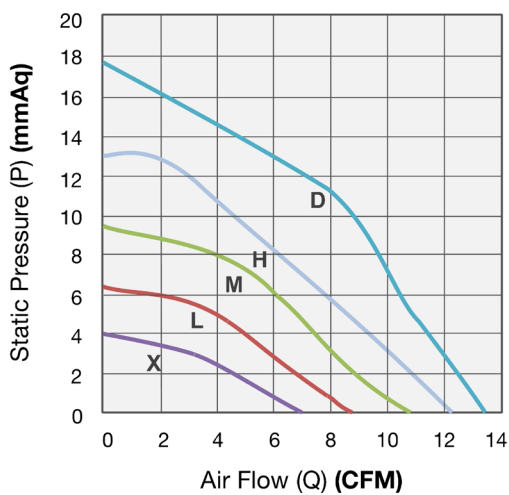
RB7530 Series

75 x 75 x 30mm (2.9 x 2.9 x 1.18 in)



- 12V, 24V
- Ball bearings
- 6.9 CFM to 13.5 CFM
- Lead Wires: UL (+) Red; (-) Black
- Operating temperature: -10°C ~ +70°C
- Operating life: 50,000 hours
- UL, cUL, CE Listed
- RoHS Compliant

Model Number	V	Range (V)	A	RPM	CFM	m ³ /min	mmAq	inH ₂ O	dBA
RBD7530B1	12	6.0~13.8	0.50	3800	13.5	0.38	17.7	0.69	45
RBH7530B1	12	6.0~13.8	0.45	3500	12.3	0.35	13.1	0.52	43
RBM7530B1	12	6.0~13.8	0.27	3000	10.6	0.30	9.4	0.37	38
RBL7530B1	12	6.0~13.8	0.18	2500	8.6	0.24	6.4	0.25	36
RBX7530B1	12	6.0~13.8	0.13	2000	6.9	0.20	3.9	0.15	28
RBD7530B2	24	12.0~27.6	0.30	3800	13.5	0.38	17.7	0.69	45
RBH7530B2	24	12.0~27.6	0.24	3500	12.3	0.35	13.1	0.52	43
RBM7530B2	24	12.0~27.6	0.18	3000	10.6	0.30	9.4	0.37	38
RBL7530B2	24	12.0~27.6	0.12	2500	8.6	0.24	6.4	0.25	36
RBX7530B2	24	12.0~27.6	0.09	2000	6.9	0.20	3.9	0.15	28



- Inrush Current Protection
- Autostart
- Tachometer
- Rotation Detector
- Life Detection
- Over Voltage Pr.
- VPWM
- IPWM
- PPWM
- TPWM
- RPWM
- Current Limit Control
- Constant Speed
- IP56
- IP67

Optional Features

-
-
-
-
-
-
-
-
-
-
-
-
-
-