

PLEASE CHECK WWW.MOLEX.COM FOR LATEST PART INFORMATION

Part Number: **0190050016**
Status: **Active**
Overview: Standard Quick-Disconnect Terminals
Description: InsulKrimp Quick Disconnect, Female, Box, Tab 6.35 x 0.81mm

Documents:

[Drawing \(PDF\)](#) [Product Specification PS-19902-013-001 \(PDF\)](#)
[Product Specification PS-19902-008-001 \(PDF\)](#) [RoHS Certificate of Compliance \(PDF\)](#)
[Product Specification PS-19902-011-001 \(PDF\)](#)

Agency Certification

CSA LR18689
 UL E79133

General

Product Family Quick Disconnects
 Series 19005
 Crimp Quality Equipment Yes
 Insulated Fully
 Overview Standard Quick-Disconnect Terminals
 Product Name InsulKrimp
 Type Quick Disconnect
 UPC 800753030671

Physical

Barrel Type Closed
 Color - Resin Yellow
 Flammability 94V-0, 94V-2
 Gender Female
 Glow-Wire Capable Yes
 Insulation Nylon (PA)
 Lock to Mating Part None
 Material - Metal Brass
 Material - Plating Mating Tin
 Material - Plating Termination Tin
 Material - Resin Nylon
 Net Weight 1.506/g
 Orientation Straight
 Packaging Type Bag
 Tab Thickness 0.81mm
 Tab Width 6.35mm
 Wire Size AWG 10, 12

Electrical

Voltage - Maximum 600V

Solder Process Data

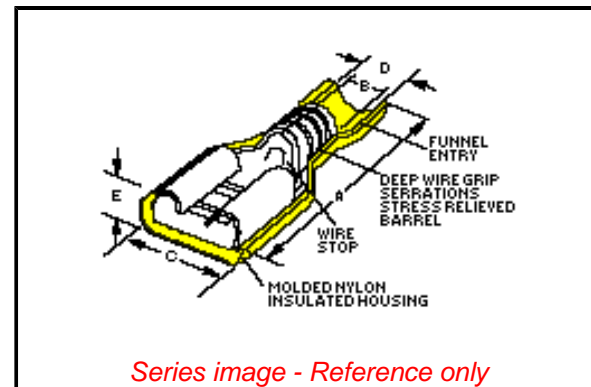
Lead-free Process Capability N/A

Material Info

Engineering Number C-2265VN

Reference - Drawing Numbers

Product Specification PS-19902-008-001, PS-19902-011-001,
 PS-19902-013-001
 Sales Drawing SD-19003-004-001



Series image - Reference only

EU ELV

Not Relevant

EU RoHS

Compliant

REACH SVHC

Not Contained Per -
 ED/71/2019 (16 July
 2019)

Halogen-Free

Status

Not Low-Halogen

For more information, please visit [Contact US](#)

China ROHS

ELV

RoHS Phthalates

China RoHS

Green Image

Not Relevant

Not Contained

Search Parts in this Series

19005 Series

This document was generated on 08/20/2019

PLEASE CHECK WWW.MOLEX.COM FOR LATEST PART INFORMATION