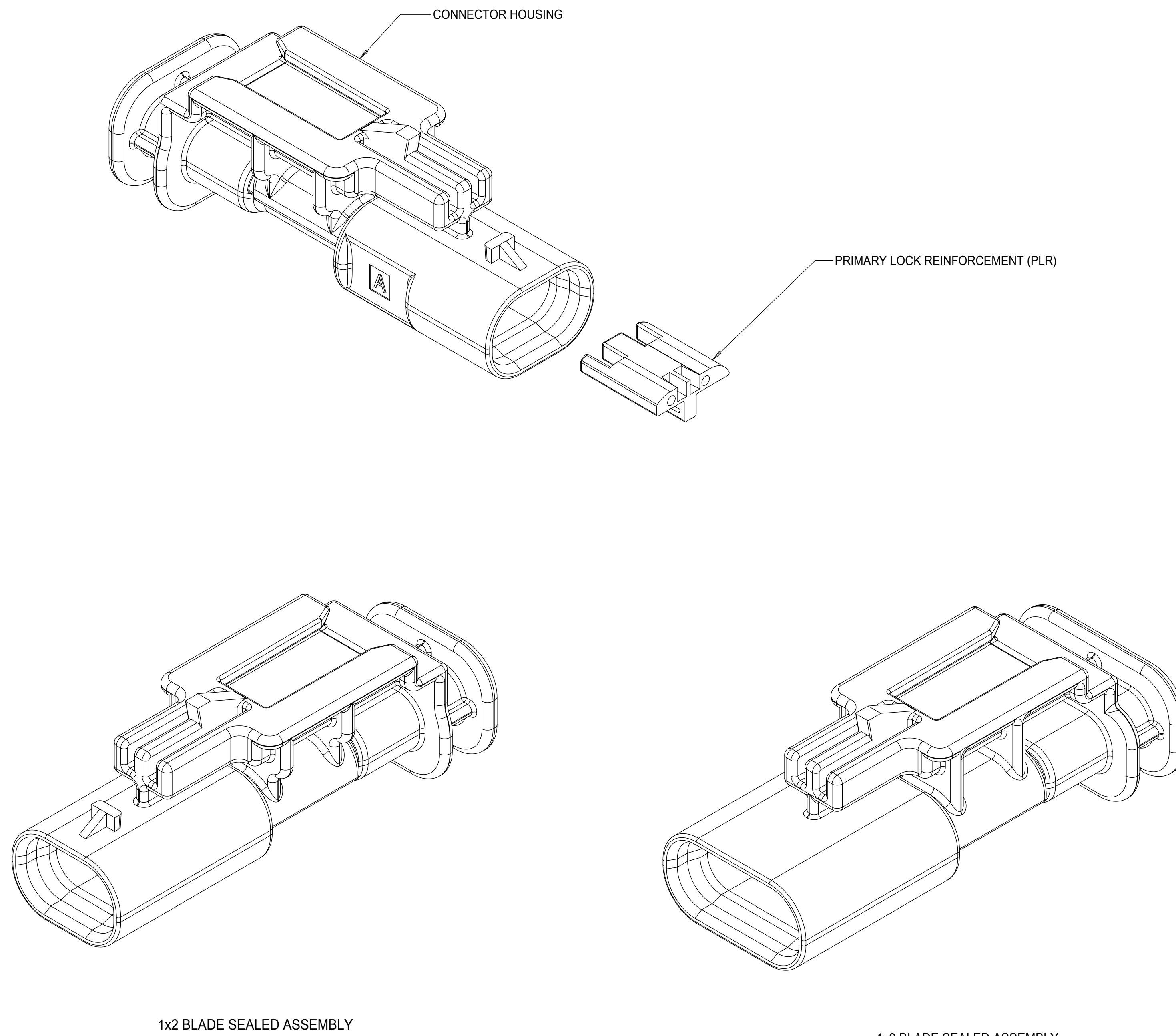


TABLE OF CONTENTS

| SHEET NO. | SHEET DESCRIPTION |
|-----------|--|
| 1 | NOTES |
| 2 | 1x2 BLADE SEALED ASSEMBLY KEYING CONFIGURATIONS |
| 3 | 1x3 BLADE SEALED ASSEMBLY KEYING CONFIGURATIONS |
| 4 | CLIP-SLOT CONFIGURATIONS |
| 5 | BLADE SEALED ASSEMBLY |
| 6 | CONNECTION SYSTEM PACKAGING |
| 7 | WIRE DRESS COVER INTERFACE OPTIONS |
| 8 | 1x2 BLADE SEALED ASSEMBLY BOM INTERFACE OPTION 1 |
| 9 | 1x2 BLADE SEALED ASSEMBLY BOM INTERFACE OPTION 2 |
| 10 | 1x3 BLADE SEALED ASSEMBLY BOM INTERFACE OPTION 1 |
| 11 | 1x3 BLADE SEALED ASSEMBLY BOM INTERFACE OPTION 2 |



NOTES: VALID UNLESS OTHERWISE SPECIFIED

1. GENERAL:
 - a. APPLICATION SPECIFICATION SEE: AS-34900-0001
CONTAINS: PRODUCT INTRODUCTION, PRODUCT SUMMARY, CONNECTOR ASSEMBLY, PACKAGING INFORMATION, CONNECTOR MATING, SERVICE INSTRUCTIONS, ELECTRICAL CONTINUITY CHECKING, CRIMPING, AND TROUBLESHOOTING.
 - b. PRODUCT SPECIFICATION SEE: PS-34900-0001
CONTAINS: PRODUCT INTRODUCTION, PRODUCT SUMMARY, RATINGS (CURRENT, TEMPERATURE, SEALING, AND FLAMMABILITY), AND PRODUCT VALIDATION.
 - c. PACKAGING SPECIFICATION PER MOLEX DRAWING: PK-31301-898
 - d. PARTS MUST BE IN COMPLIANCE TO MOLEX CHEMICAL SUBSTANCES FOR PRODUCTS AND PACKAGING SPECIFICATION: ES-40000-5016
 - e. DATA MUST BE SUBMITTED UNDER THE MOLEX PART NUMBER TO IMDS (COMPANY ID#13255)
2. DESIGN - MATERIALS:
 - a. SEE BOM TABLE
3. DESIGN - GEOMETRY:
 - a. THIS IS A 100% CAD GENERATED PART. THE CAD MATHEMATICAL DATA IS THE MASTER FOR THIS PART. FOR DIMENSIONAL OR ANY INFORMATION NOT SHOWN ON THIS DRAWING, ANALYZE THE CAD MODEL.
 - b. GEOMETRIC DIMENSIONS AND TOLERANCES PER ASME Y14.5M - 1994
 - c. EDGES AND UNDIMENSIONED DETAILS PER ISO13715
 - d. CORNERS SHOWN AS SHARP TO BE R 0.2 MAX.
 - e. LETTERING SHALL BE 0.15 MAX RAISED IN 0.25 MAX RECESS PAD. THIS INCLUDES RECYCLING CODE, CAVITY ID, VENDOR IDENTIFICATION,
 - f. VISUAL DEFECTS SHALL MEET COSMETIC STANDARD PS-45499-002 (Class B)
 - g. LASER MARKING:
 1. PART NUMBER
 2. DAY OF THE YEAR
 3. SHIFT
 4. YEAR

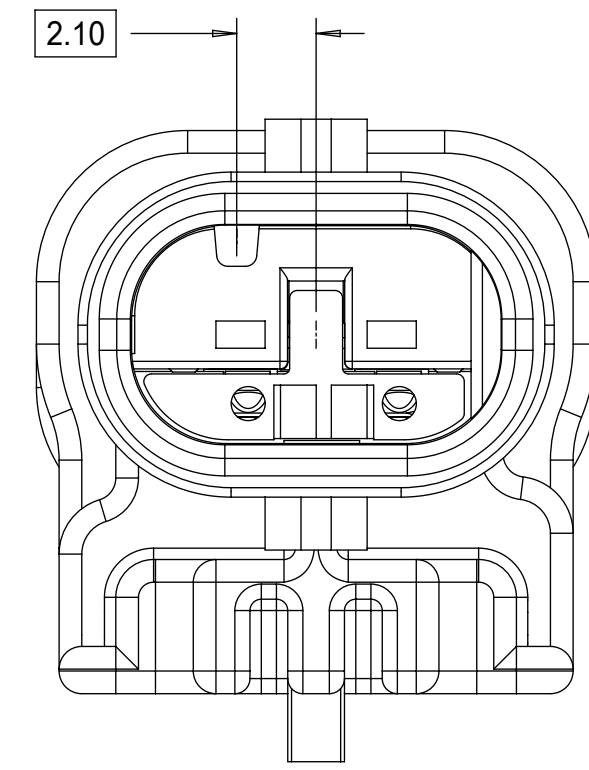
INSPECTION NUMBER LOG
LAST NUMBER USED:
ADDED:
REMOVED:

| | |
|-----|---|
| A15 | - NX-REMASTERING FROM MODEL MANAGER - 1x2 KEY C MOVED TO SALEABLE - 1X3 WDC INTERFACE 2 PART NUMBERS UPDATED TO MATCH E-DRAWING |
| A14 | CORRECTED CHARTED DIMENSION 3 FOR 1X3 11MM CLIPSLOT |
| A13 | 1x3 KEY A&B SALEABLE (NON 40G) |
| A12 | 1X2 KEYS A&B W/ WDC SALEABLE |
| A11 | CORRECTED REVISION LOG |
| A10 | 1X2,1X3 WIRE DRESS FEATURES OK TO TOOL |
| A9 | 1X2,1X3 PART # STATUS UPDATED |
| A8 | 1X2 40G CLIP-SLOT OK TO TOOL |
| A7 | 1X2,1X3 PART # UPDATED TO "TOOLED BUT NOT VALIDATED" |
| A6 | ADDED 40G CLIP-SLOT PART NUMBERS |
| A5 | BOM CORRECTIONS AND UPDATES |
| A4 | BOM CORRECTIONS AND UPDATES |
| A3 | 1x2, 1x3 NON-SIR PART# OK TO TOOL |
| A2 | ADDED 1x3 11mm CLIP-SLOT PART # |
| A | ADDED BLACK PART# AND MINOR BOM UPDATES |
| 6 | ADDED CLIP SLOT CONFIGURATIONS |
| 5 | 1X3 BOM UPDATED |
| 4 | 1X3 INLINE ASSY VIEWS ADDED |
| 3 | MINOR BOM CORRECTIONS |
| 2 | UPDATED PACKAGING DIMENSIONS |
| 1 | INITIAL RELEASE |
| REV | DESCRIPTION |

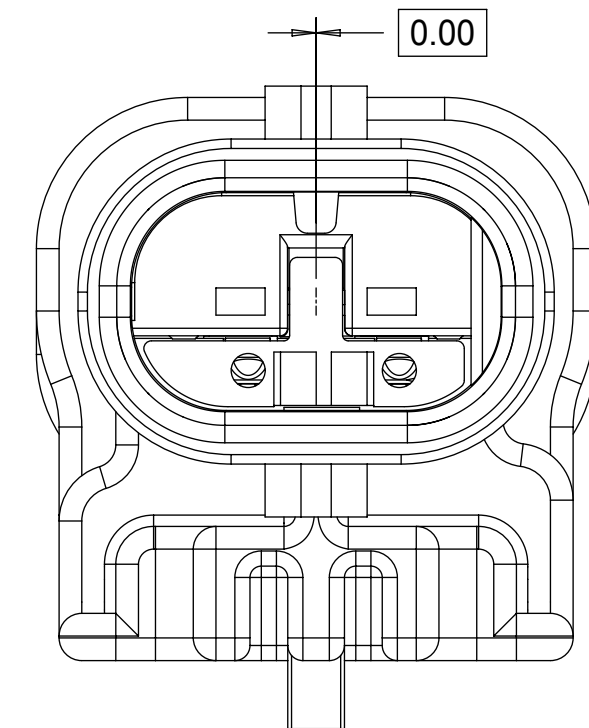
| QUALITY SYMBOLS | THIS DRAWING CONTAINS INFORMATION THAT IS PROPRIETARY TO MOLEX ELECTRONIC TECHNOLOGIES, LLC AND SHOULD NOT BE USED WITHOUT WRITTEN PERMISSION | | GENERAL TOLERANCES (UNLESS SPECIFIED) | | DIMENSION UNITS | SCALE |
|-----------------|---|------------|--|-----|-----------------|------------------------|
| ∇ = 0 | 2017/04/11 | 2017/06/22 | MM | 4:1 | MM | 4:1 |
| ∇ = 0 | | | ANGULAR TOL \pm 3.0 ° | | DRWN BY | DATE |
| ∇ = 0 | | | 4 PLACES \pm | | SKRAJENDRANA | 2013/11/06 |
| ∇ = 0 | | | 3 PLACES \pm | | CHKD BY | DATE |
| ∇ = 0 | | | 2 PLACES \pm 0.1 | | APPR BY | DATE |
| ∇ = 0 | | | 1 PLACE \pm 0.2 | | DRAWING SIZE | THIRD ANGLE PROJECTION |
| ∇ = 0 | | | 0 PLACES \pm 0.5 | | D | |
| ∇ = 0 | | | DRAFT WHERE APPLICABLE MUST REMAIN WITHIN DIMENSIONS | | | |
| ∇ = 0 | | | | | | |

| molex® | | |
|---|-----------------|-------------------------|
| 1.2MM 1X2, 1X3 BLADE SEALED ASSEMBLY CABLE SEAL | | |
| PRODUCT CUSTOMER DRAWING | | |
| SERIES | MATERIAL NUMBER | CUSTOMER |
| 34899 | SEE BOM | GENERAL MARKET |
| DOCUMENT NUMBER | DOC TYPE | DOC PART SHEET NUMBER |
| SD-34899-2001 | PSD | 001 1 OF 11 |

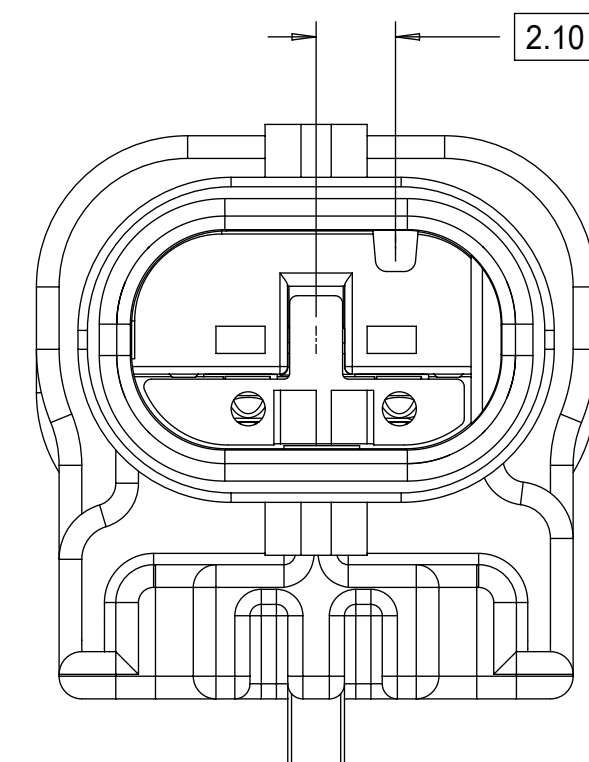
1x2 BLADE SEALED ASSEMBLY KEYING CONFIGURATIONS. FOR PART NUMBERS REFER TO BOM SHEET.



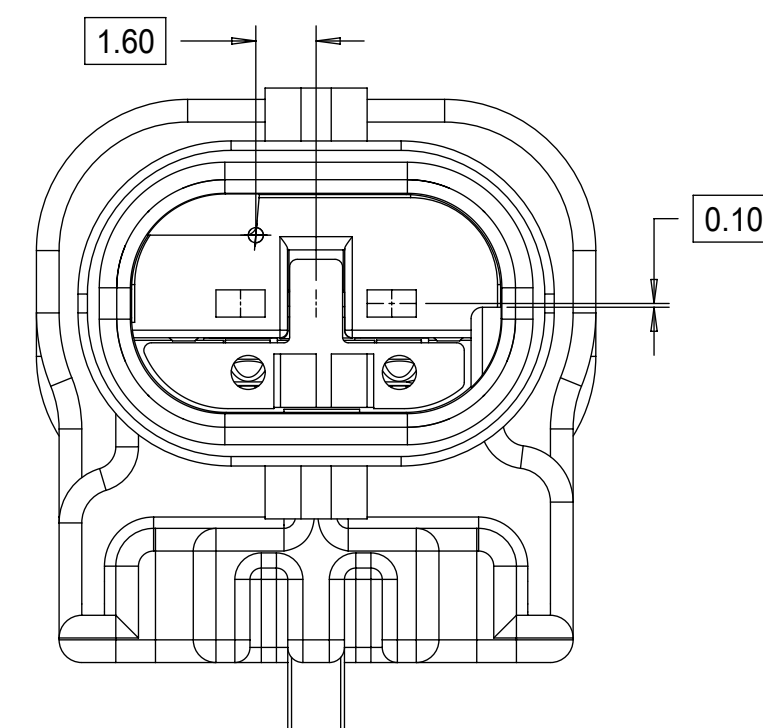
KEYING OPTION A



KEYING OPTION B



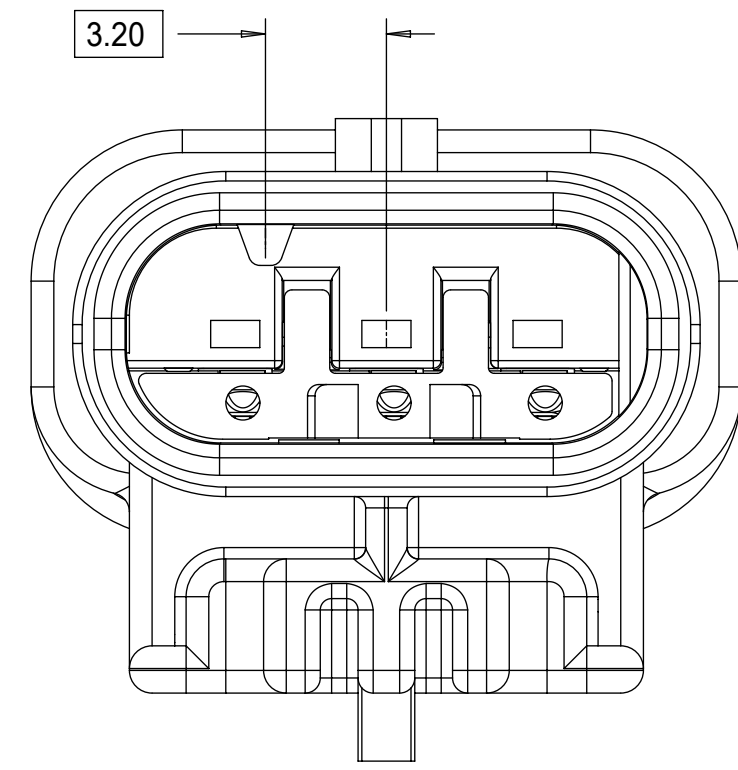
KEYING OPTION C



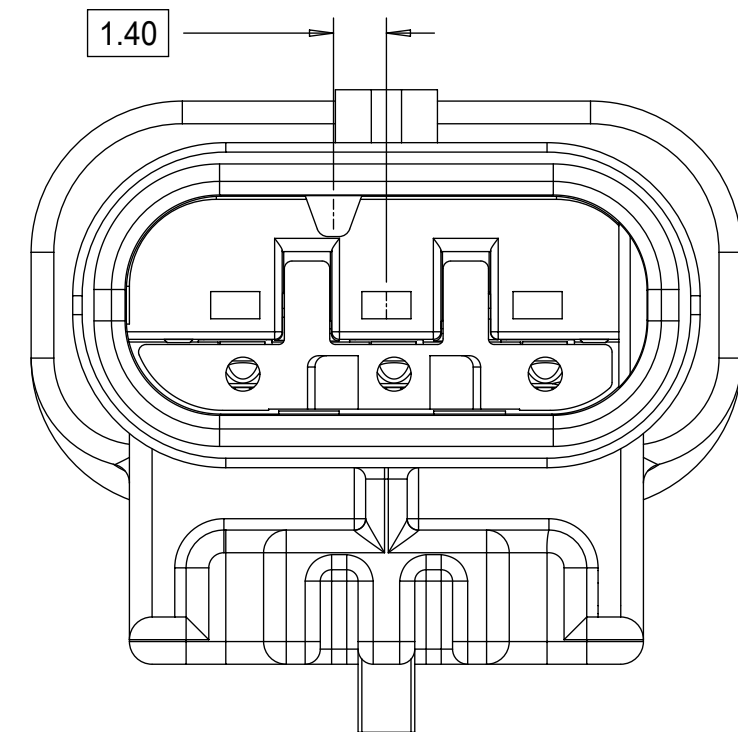
KEYING OPTION E

| | | | | | | | | | | | |
|---|--|---|--|---|--|---|--|---|--|---|--|
| QUALITY SYMBOLS ▽ = 0 ▽ = 0 ▽ = 0 ▽ = 0 ▽ = 0 ▽ = 0 ▽ = 0 ▽ = 0 ▽ = 0 ▽ = 0 | | THIS DRAWING CONTAINS INFORMATION THAT IS PROPRIETARY TO MOLEX ELECTRONIC TECHNOLOGIES, LLC AND SHOULD NOT BE USED WITHOUT WRITTEN PERMISSION | | GENERAL TOLERANCES (UNLESS SPECIFIED) ANGULAR TOL ± 3.0 ° 4 PLACES ± 3 PLACES ± 2 PLACES ± 0.1 1 PLACE ± 0.2 0 PLACES ± 0.5 DRAFT WHERE APPLICABLE MUST REMAIN WITHIN DIMENSIONS | | DIMENSION UNITS: MM SCALE: 5:1 DRWN BY: SKRAJENDRANA DATE: 2013/11/06 CHKD BY: DATE: APPR BY: DATE: DRAWING SIZE: D THIRD ANGLE PROJECTION | | molex 1.2MM 1X2, 1X3 BLADE SEALED ASSEMBLY CABLE SEAL PRODUCT CUSTOMER DRAWING | | SERIES: 34899 MATERIAL NUMBER: SEE BOM CUSTOMER: GENERAL MARKET | |
| EC NO: 117908 DRWN: VYARAPPA CHKD: APPR: KDEKOSKI | | 2017/04/11 2017/06/22 | | A15 | | DOCUMENT NUMBER: SD-34899-2001 DOC TYPE: PSD DOC PART: 001 SHEET NUMBER: 2 OF 11 | | RELEASE STATUS: P1 RELEASE DATE: 22.06.2017 19:25:24 | | 19 18 17 16 15 14 13 12 11 10 9 8 7 6 5 4 3 2 1 | |

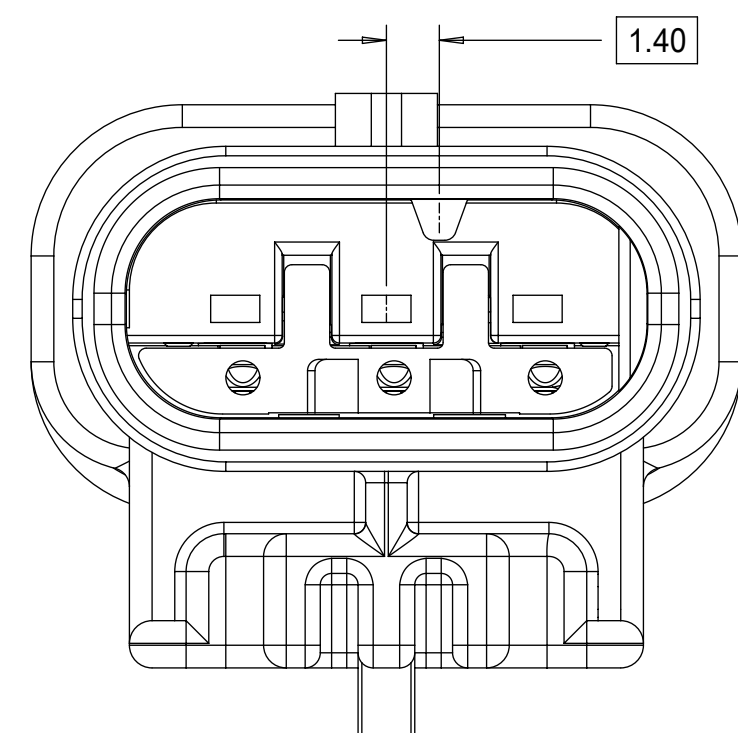
1x3 BLADE SEALED ASSEMBLY KEYING CONFIGURATIONS. FOR PART NUMBERS REFER TO BOM SHEET.



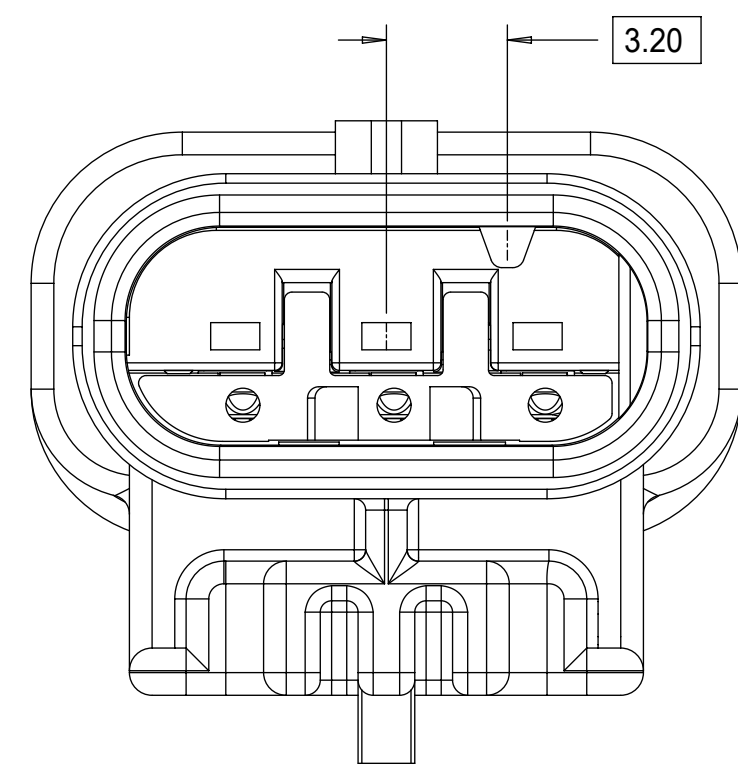
KEYING OPTION A



KEYING OPTION B



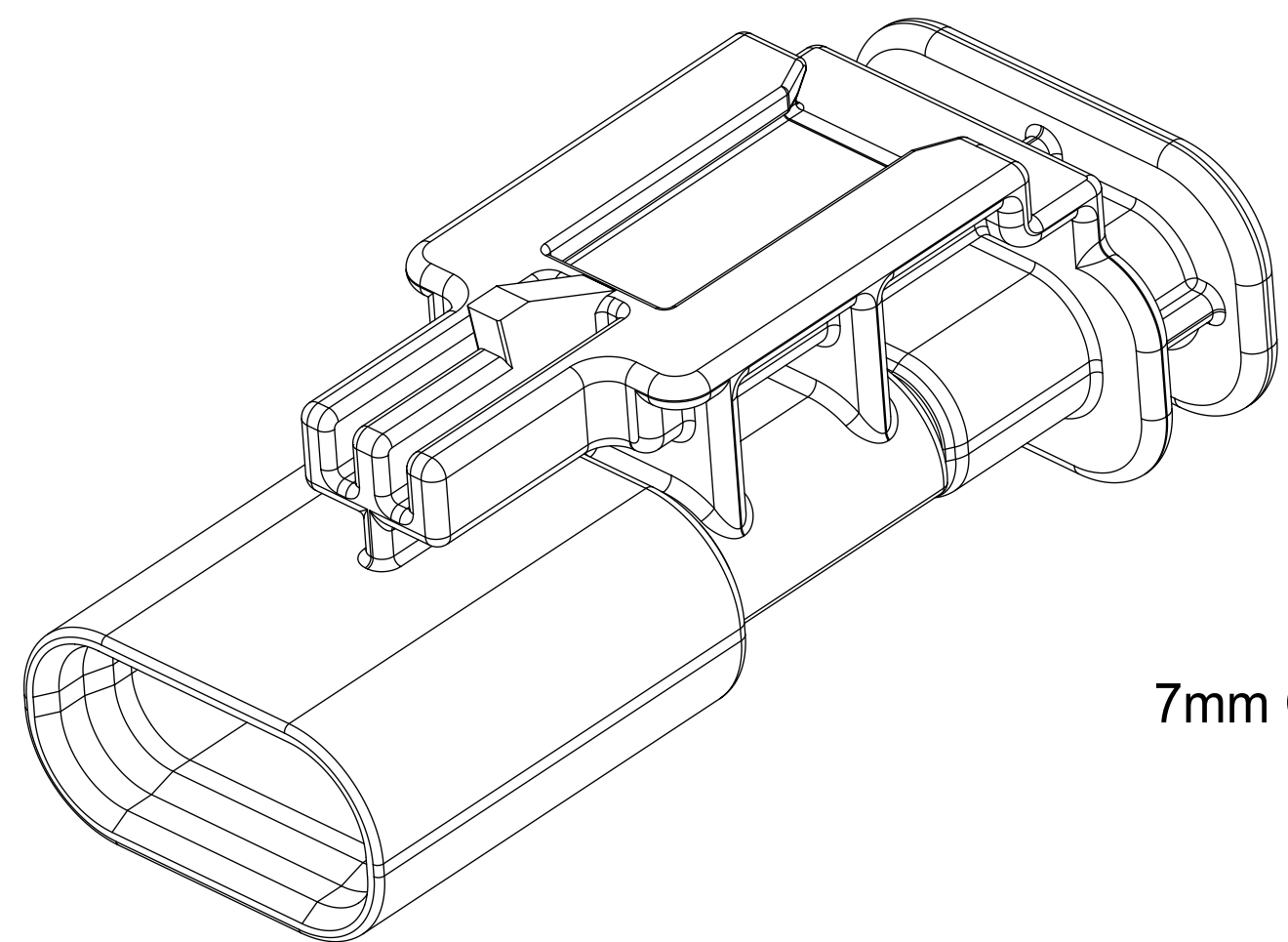
KEYING OPTION C



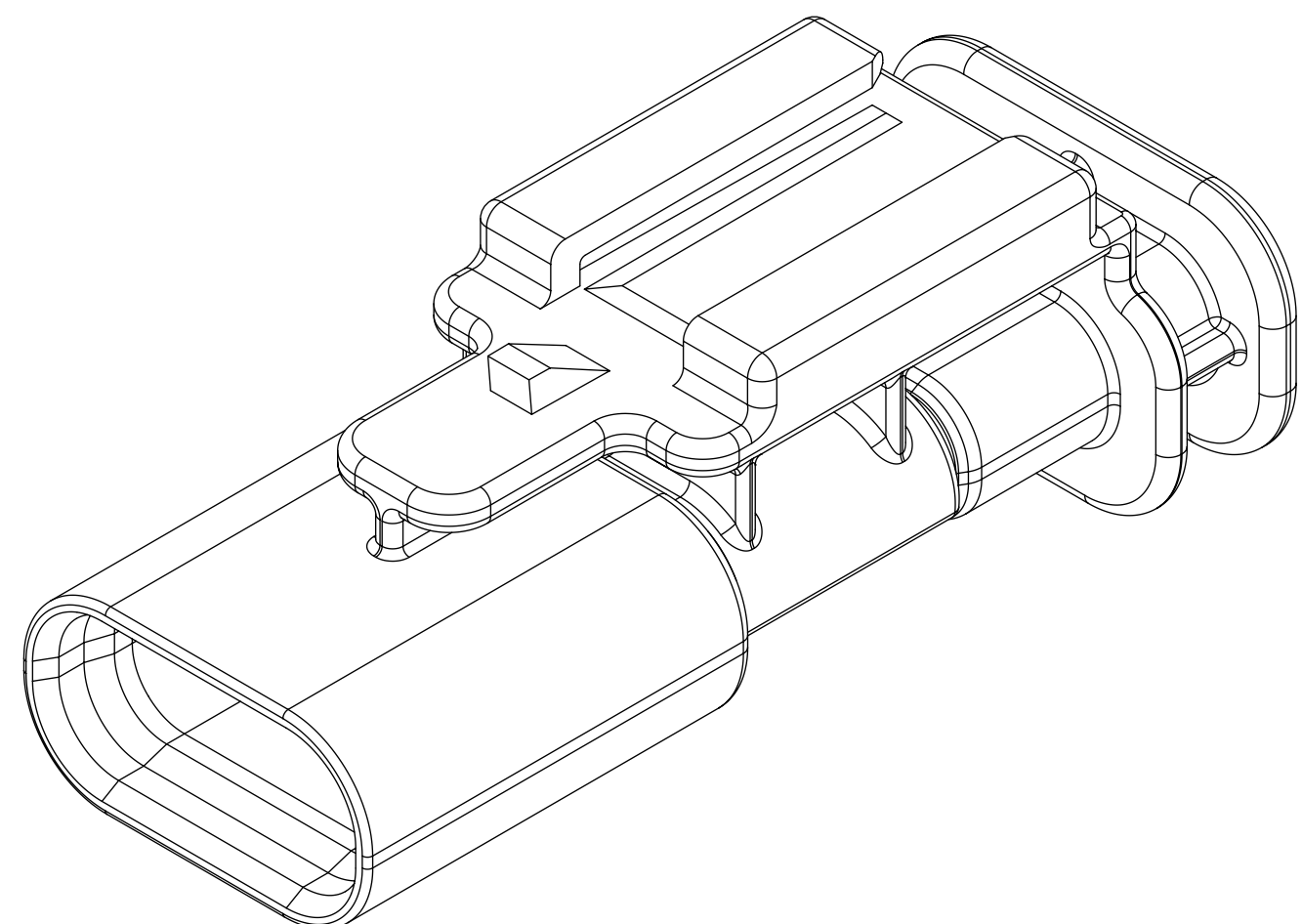
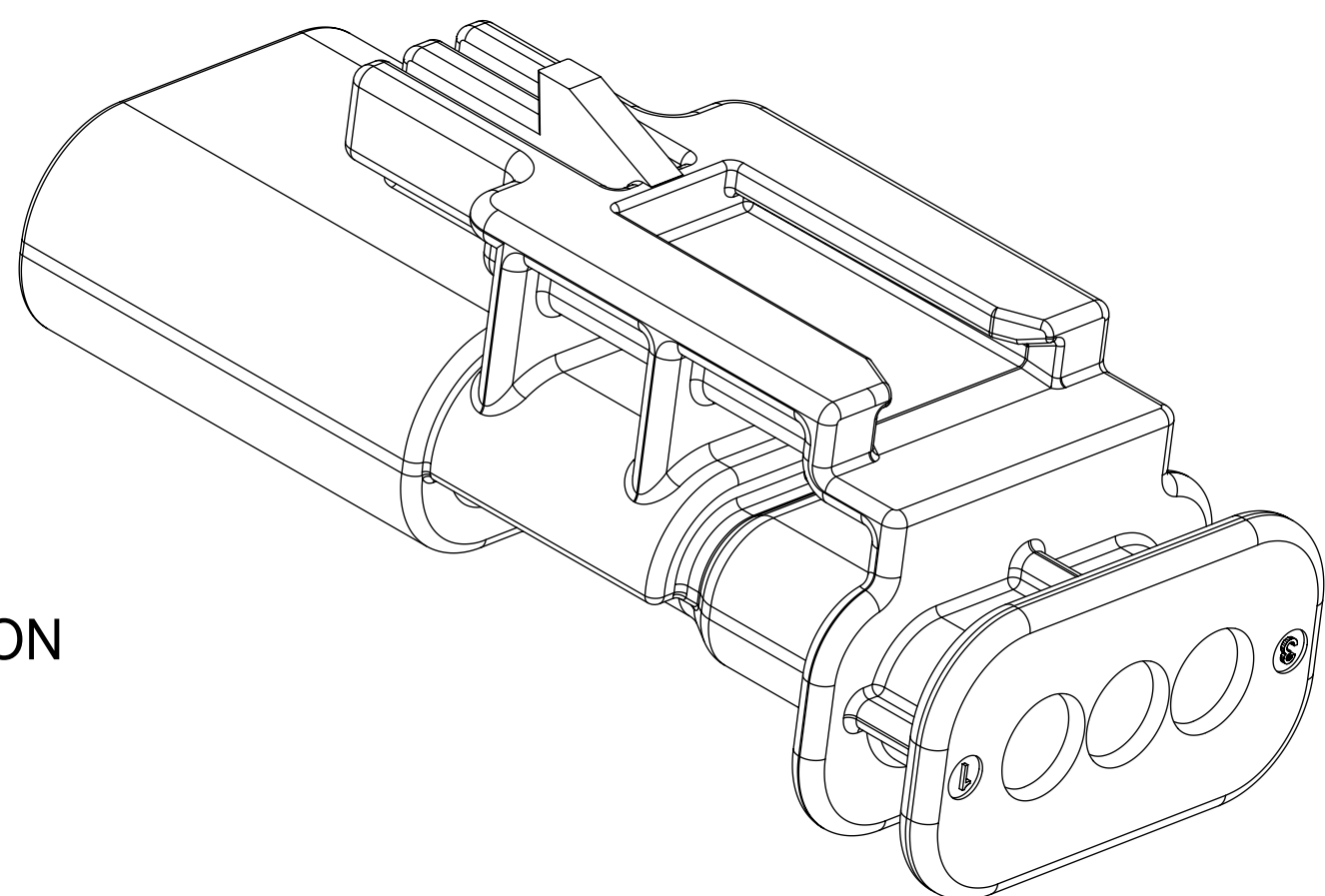
KEYING OPTION D

| | | | | | | | | | | | |
|----------------------------|---|------------|---------------------------------------|--|--|------------------------|---|-----------------|----------------|--------------|--|
| QUALITY SYMBOLS | THIS DRAWING CONTAINS INFORMATION THAT IS PROPRIETARY TO MOLEX ELECTRONIC TECHNOLOGIES, LLC AND SHOULD NOT BE USED WITHOUT WRITTEN PERMISSION | | | | | | | | | | |
| | 2017/04/11 | 2017/06/22 | GENERAL TOLERANCES (UNLESS SPECIFIED) | | DIMENSION UNITS | SCALE | | | | | |
| | | | | | MM | 5:1 | | | | | |
| | | | ANGULAR TOL ± 3.0 ° | | DRWN BY | DATE | 1.2MM 1X2, 1X3 BLADE SEALED ASSEMBLY CABLE SEAL | | | | |
| | | | 4 PLACES ± | | SKRAJENDRANA | 2013/11/06 | | | | | |
| | | | 3 PLACES ± | | CHKD BY | DATE | PRODUCT CUSTOMER DRAWING | | | | |
| | | | 2 PLACES ± 0.1 | | APPR BY | DATE | | | | | |
| | | | 1 PLACE ± 0.2 | | DRAWING SIZE | THIRD ANGLE PROJECTION | SERIES | MATERIAL NUMBER | CUSTOMER | | |
| | | | 0 PLACES ± 0.5 | | DRAFT WHERE APPLICABLE MUST REMAIN WITHIN DIMENSIONS | D | 34899 | SEE BOM | GENERAL MARKET | | |
| | | | | | | | DOCUMENT NUMBER | DOC TYPE | DOC PART | SHEET NUMBER | |
| | | | | | | SD-34899-2001 | PSD | 001 | 3 OF 11 | | |

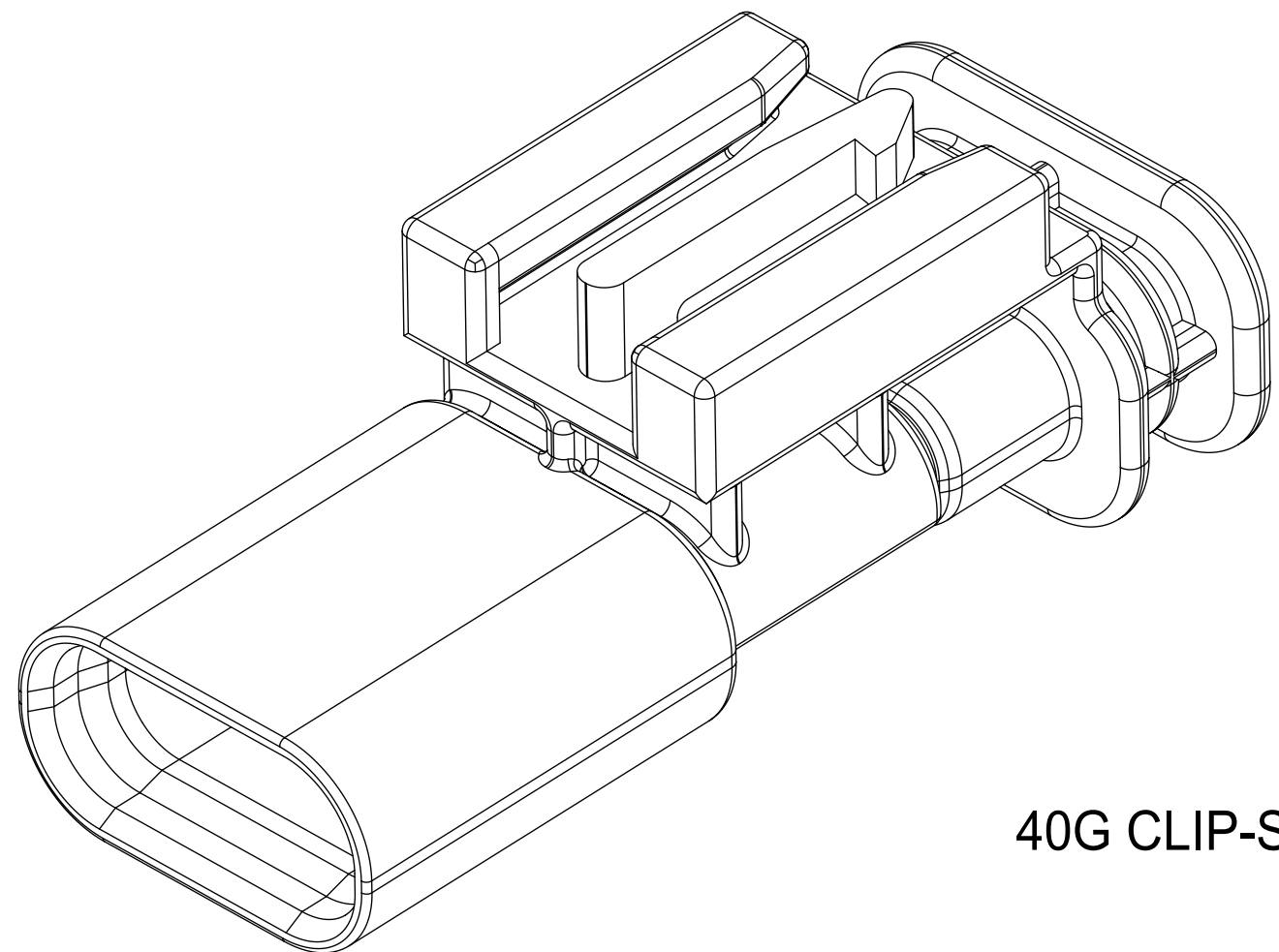
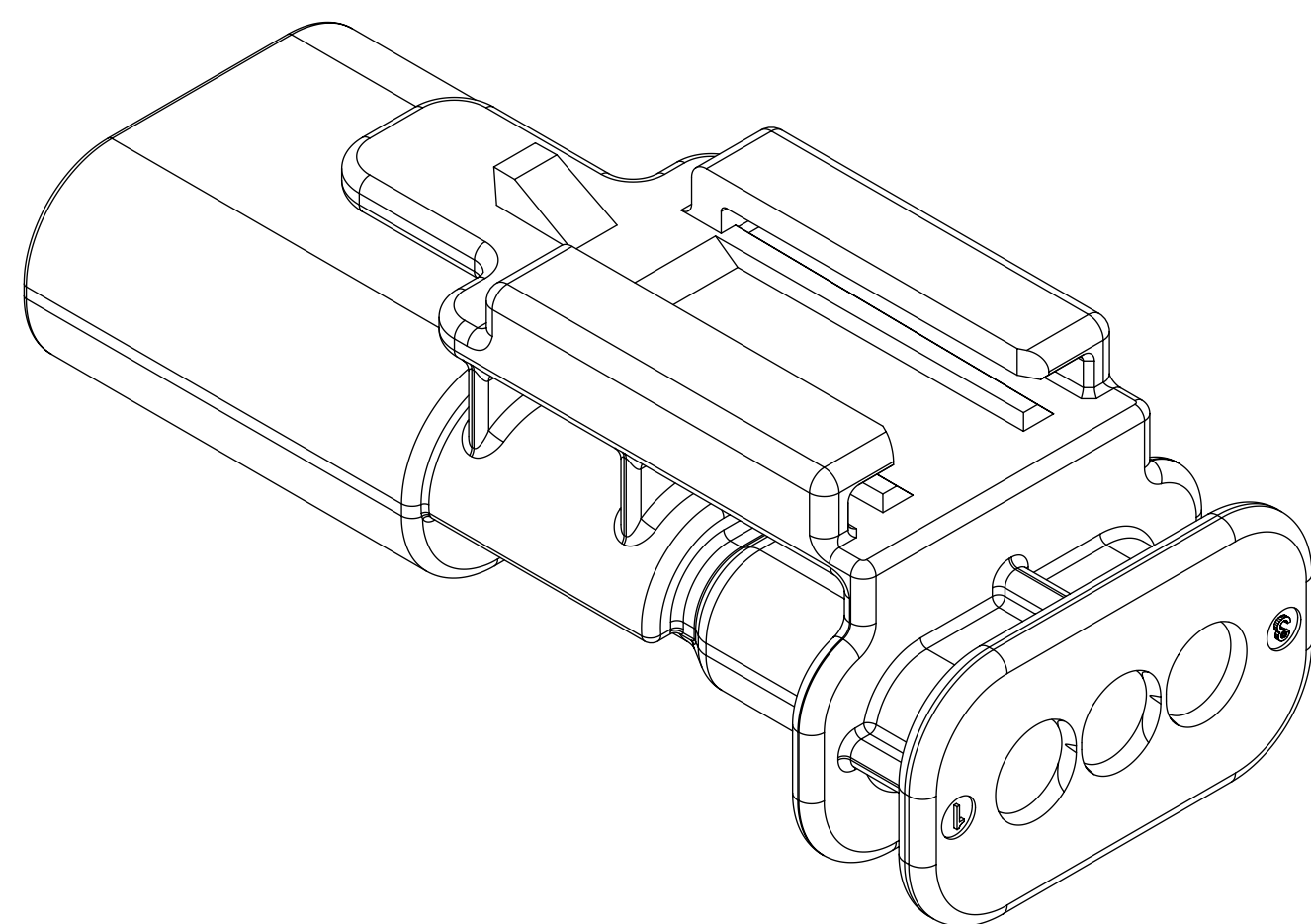
CLIP-SLOT CONFIGURATIONS. FOR PART NUMBERS REFER TO BOM SHEET.



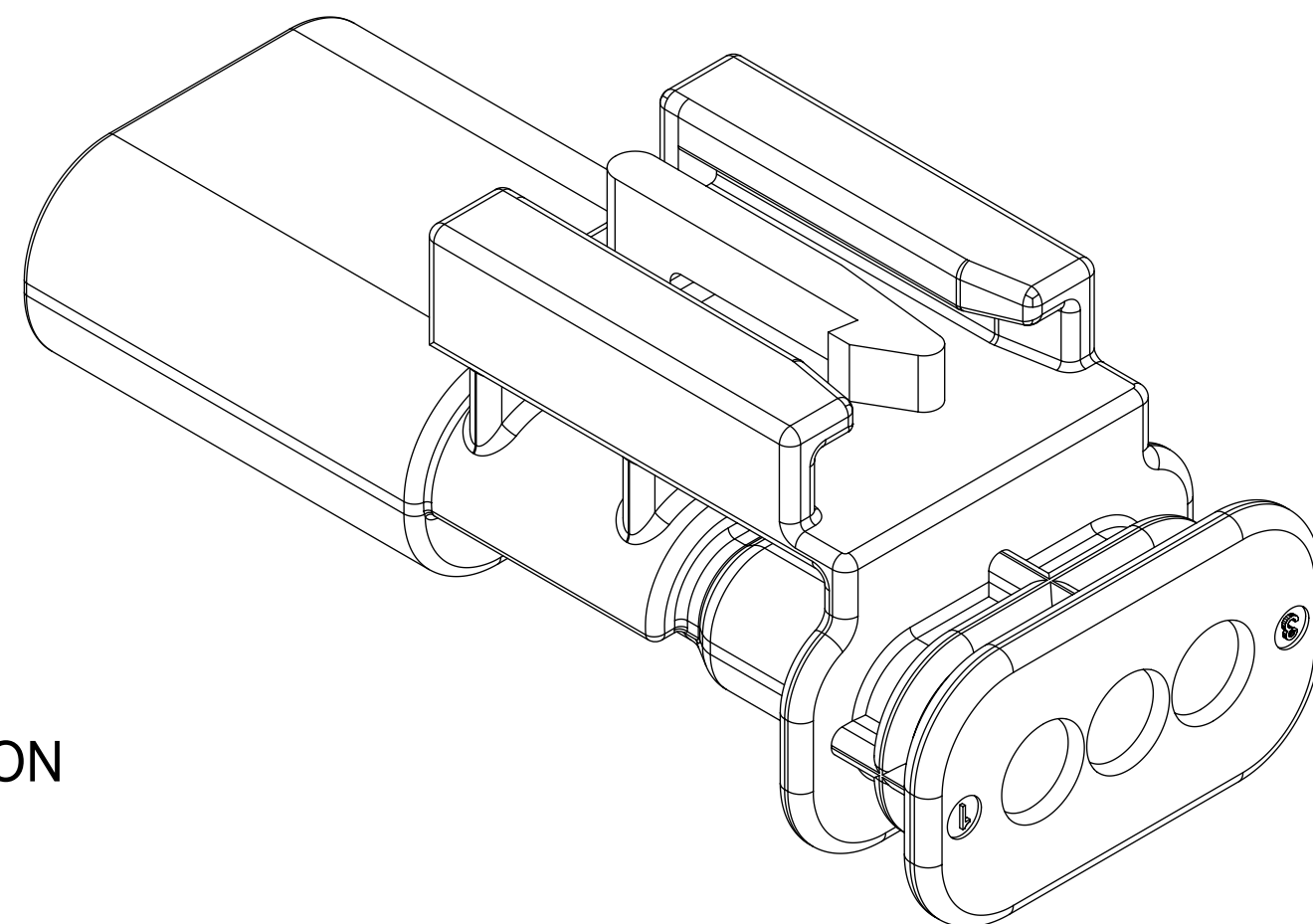
7mm CLIP-SLOT OPTION



11mm CLIP-SLOT OPTION

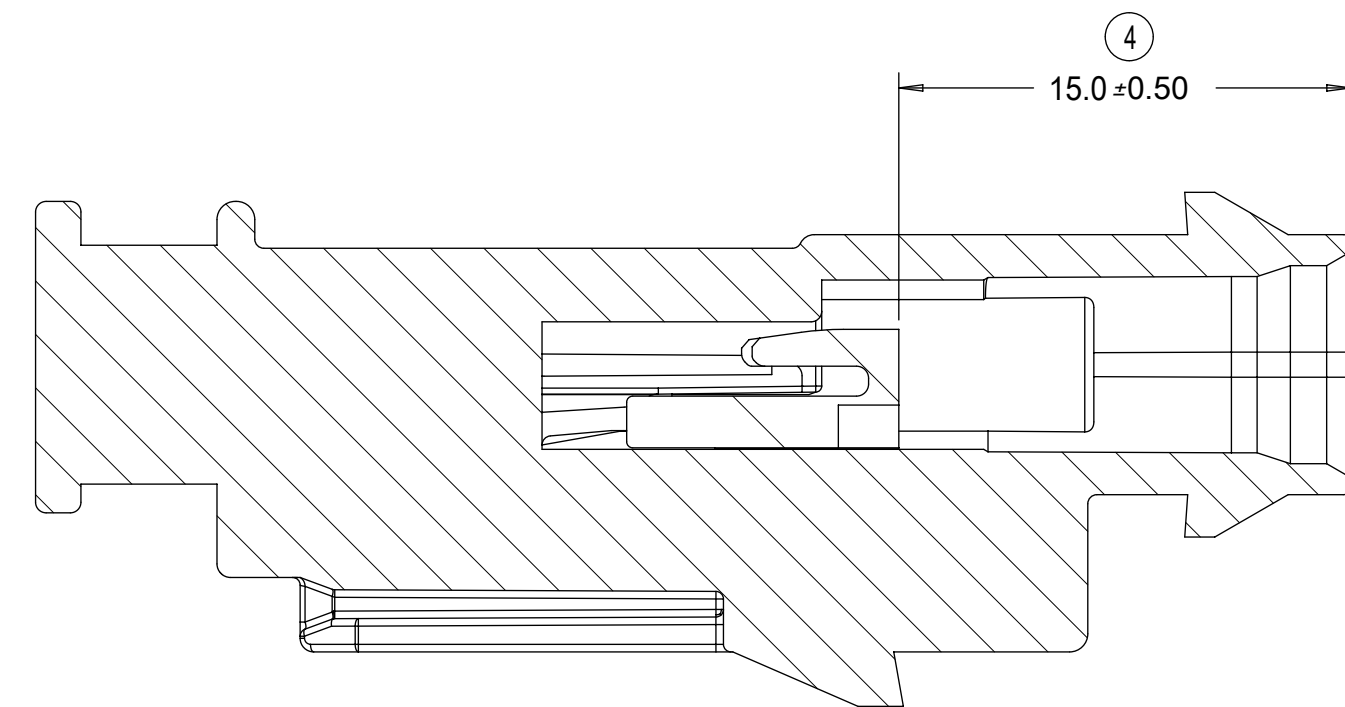
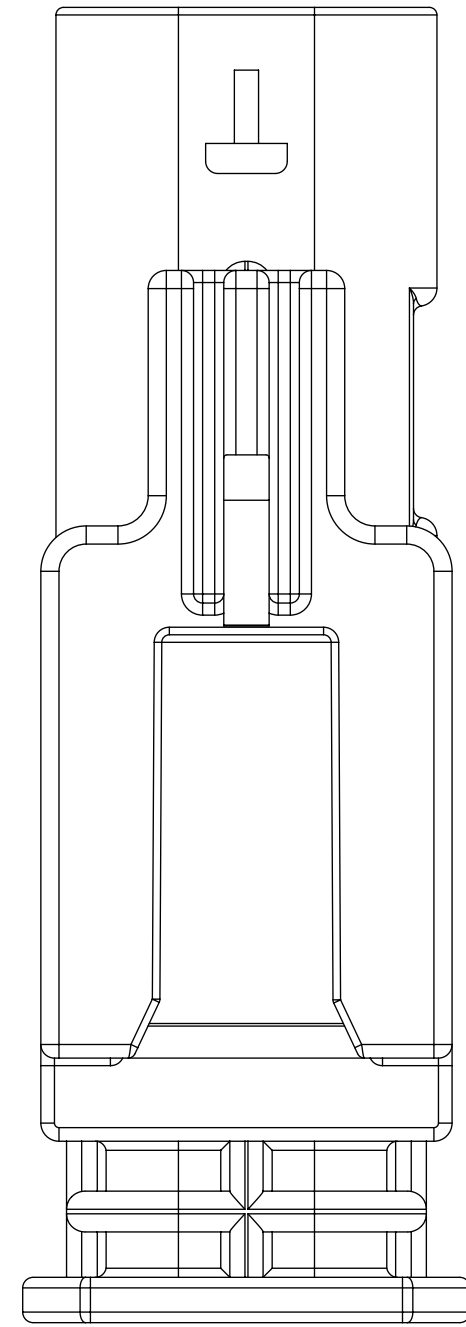
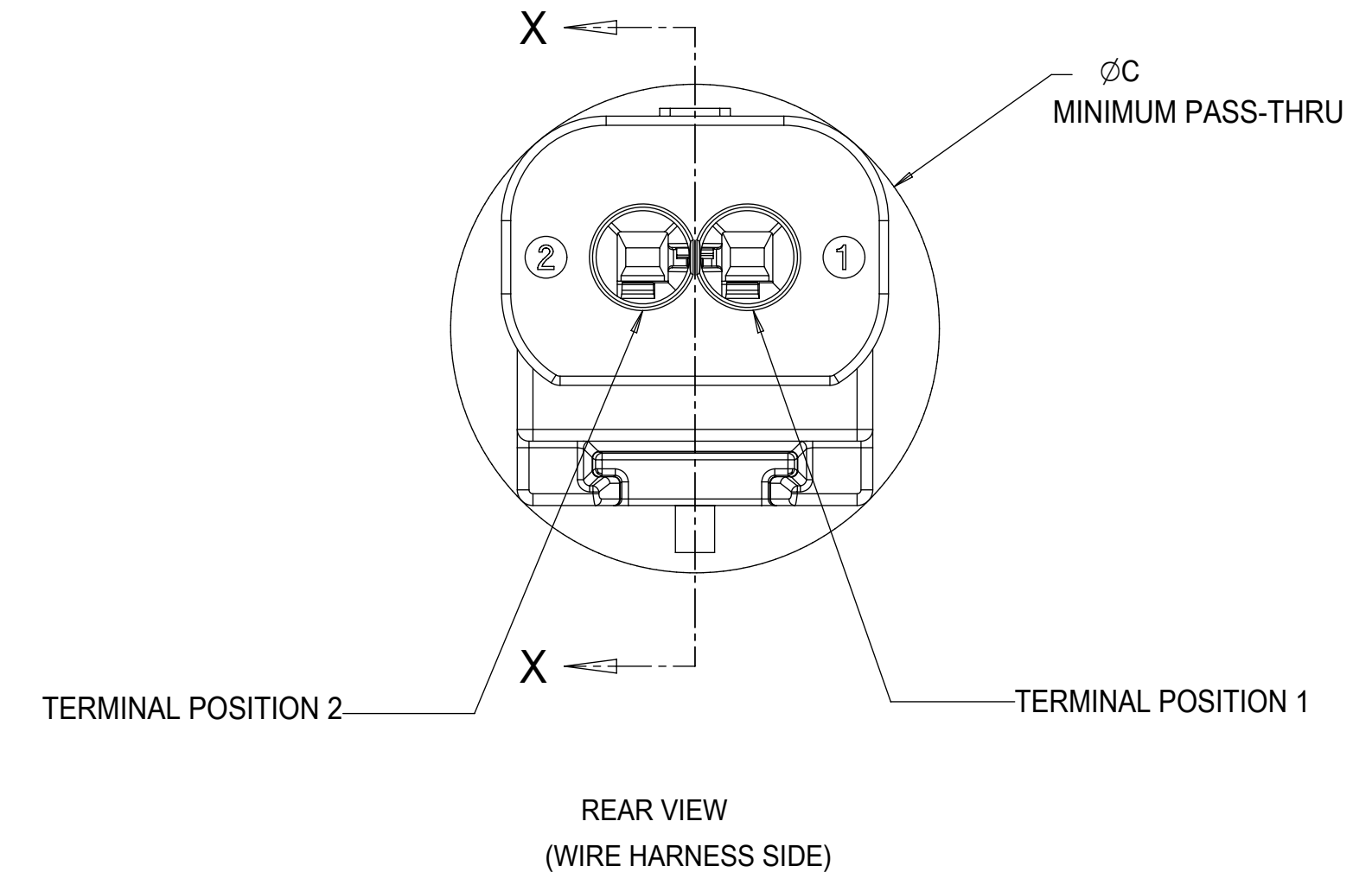
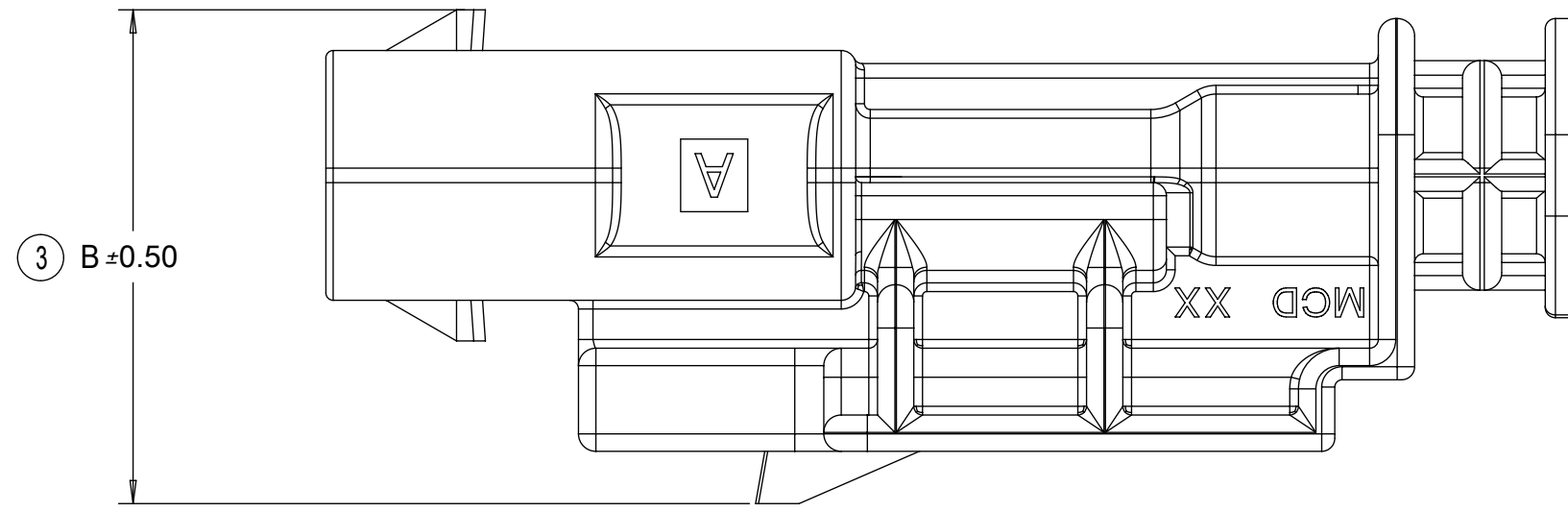
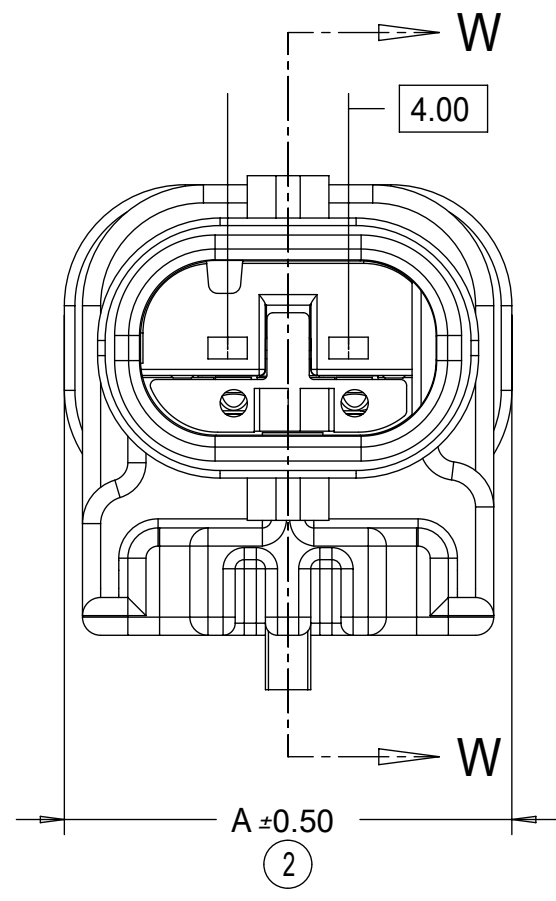
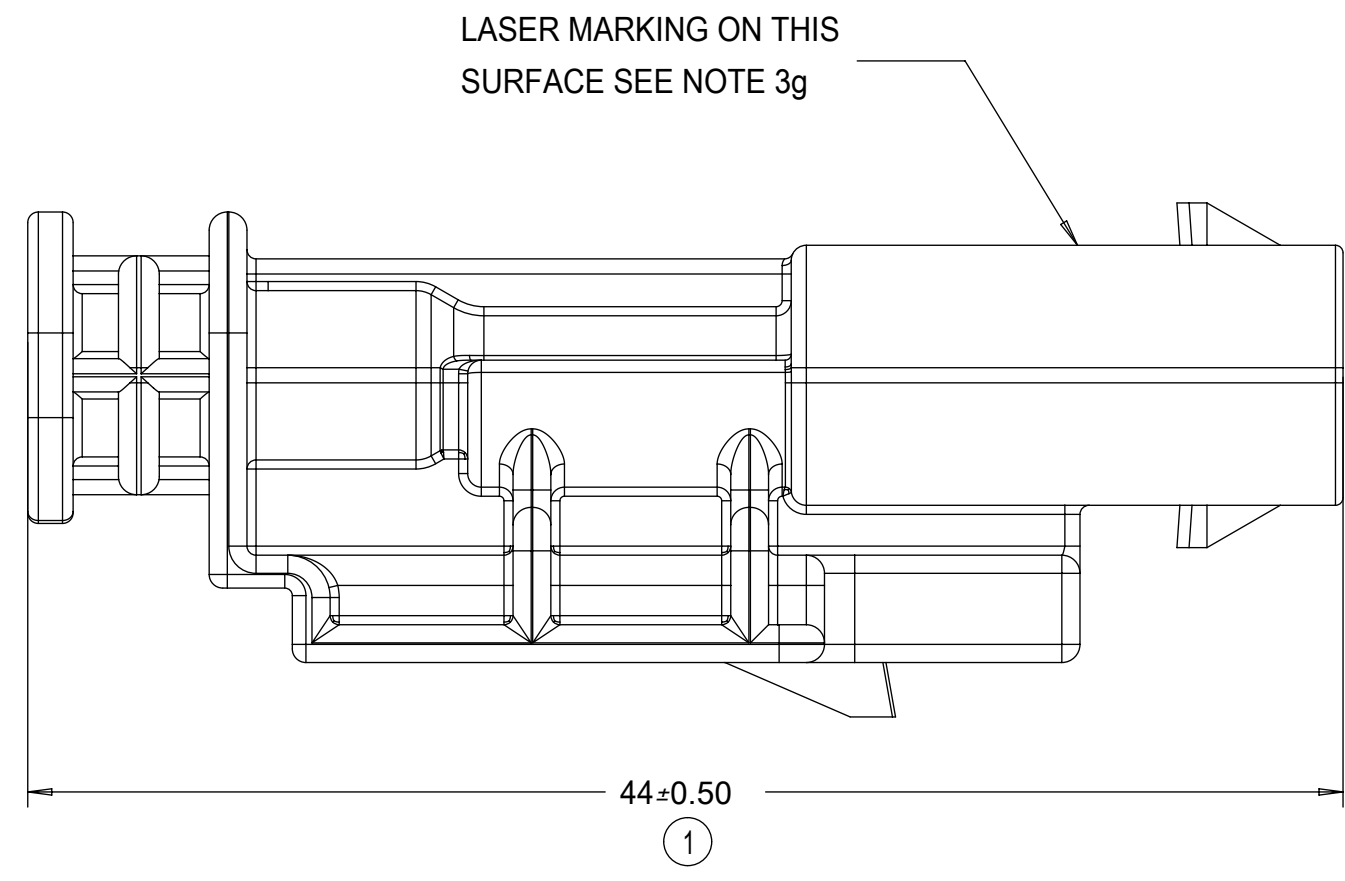


40G CLIP-SLOT OPTION

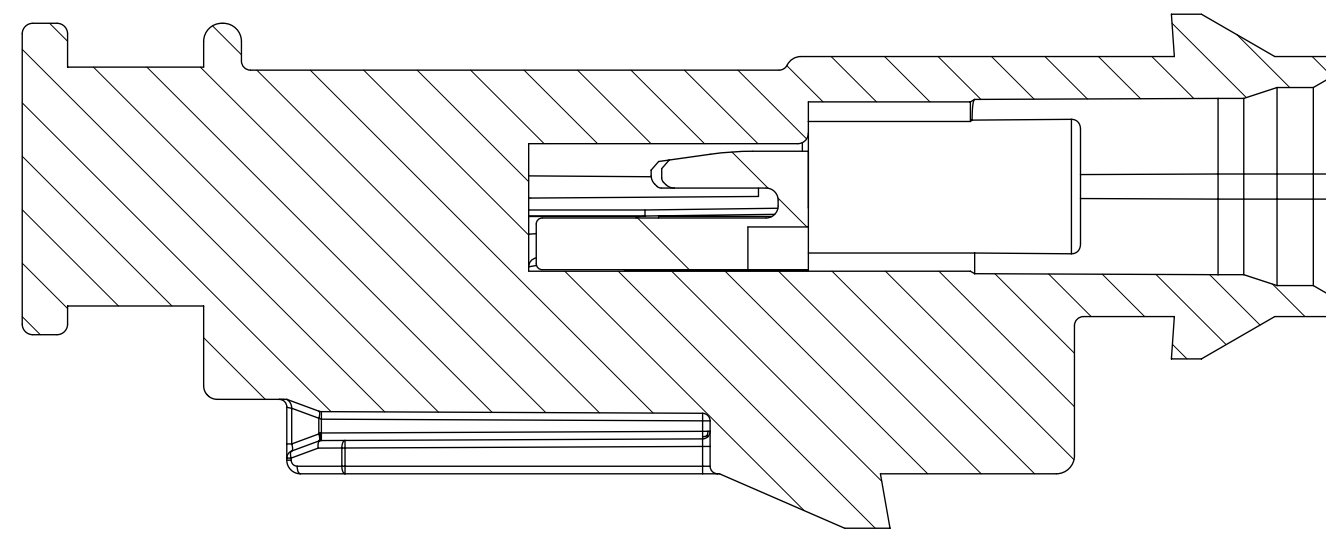


| | | | | | | | | | |
|--|--|---|--|--|--|-------------------------|--|--------------------------|--|
| QUALITY SYMBOLS ▽ = 0 ▽ = 0 ▽ = 0 ▽ = 0 ▽ = 0 ▽ = 0 ▽ = 0 ▽ = 0 ▽ = 0 | | THIS DRAWING CONTAINS INFORMATION THAT IS PROPRIETARY TO MOLEX ELECTRONIC TECHNOLOGIES, LLC AND SHOULD NOT BE USED WITHOUT WRITTEN PERMISSION | | DIMENSION UNITS MM | | SCALE 4:1 | | | |
| EC NO: 117908 DRWN: VYARAPPA CHK'D: REV APPR: KDEKOSKI | | 2017/04/11 2017/06/22 | | GENERAL TOLERANCES (UNLESS SPECIFIED) ANGULAR TOL ± 3.0 ° | | DRWN BY SKRAJENDRANA | | | |
| 4 PLACES ± 3 PLACES ± 2 PLACES ± 0.1 1 PLACE ± 0.2 0 PLACES ± 0.5 | | DRAFT WHERE APPLICABLE MUST REMAIN WITHIN DIMENSIONS | | APPR BY DATE | | CHKD BY DATE | | PRODUCT CUSTOMER DRAWING | |
| A15 | | D | | DRAWING SIZE D | | THIRD ANGLE PROJECTION | | SERIES 34899 | |
| RELEASE STATUS P1 | | RELEASE DATE 22.06.2017 19:25:24 | | DOCUMENT NUMBER SD-34899-2001 | | DOC TYPE PSD | | DOC PART 001 | |
| 19 | | 18 | | 17 | | 16 | | 15 | |
| 14 | | 13 | | 12 | | 11 | | 10 | |
| 9 | | 8 | | 7 | | 6 | | 5 | |
| 4 | | 3 | | 2 | | 1 | | 4 OF 11 | |

BLADE SEALED ASSEMBLY



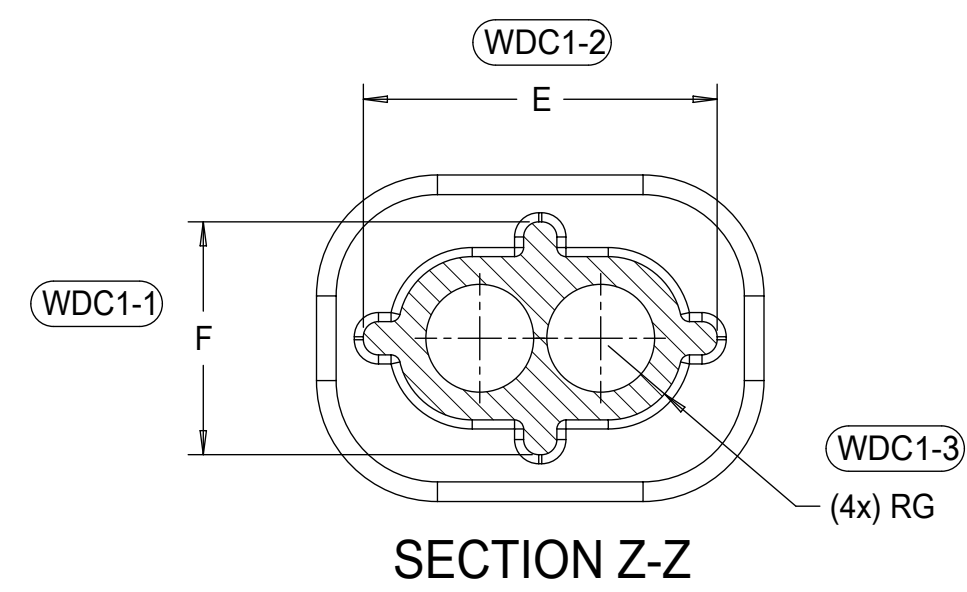
PRIMARY LOCK REINFORCEMENT (PLR) SHOWN
IN THE PRE-STAGED POSITION
SECTION W-W



PRIMARY LOCK REINFORCEMENT (PLR) SHOWN
IN THE FINAL-LOCK POSITION
SECTION X-X

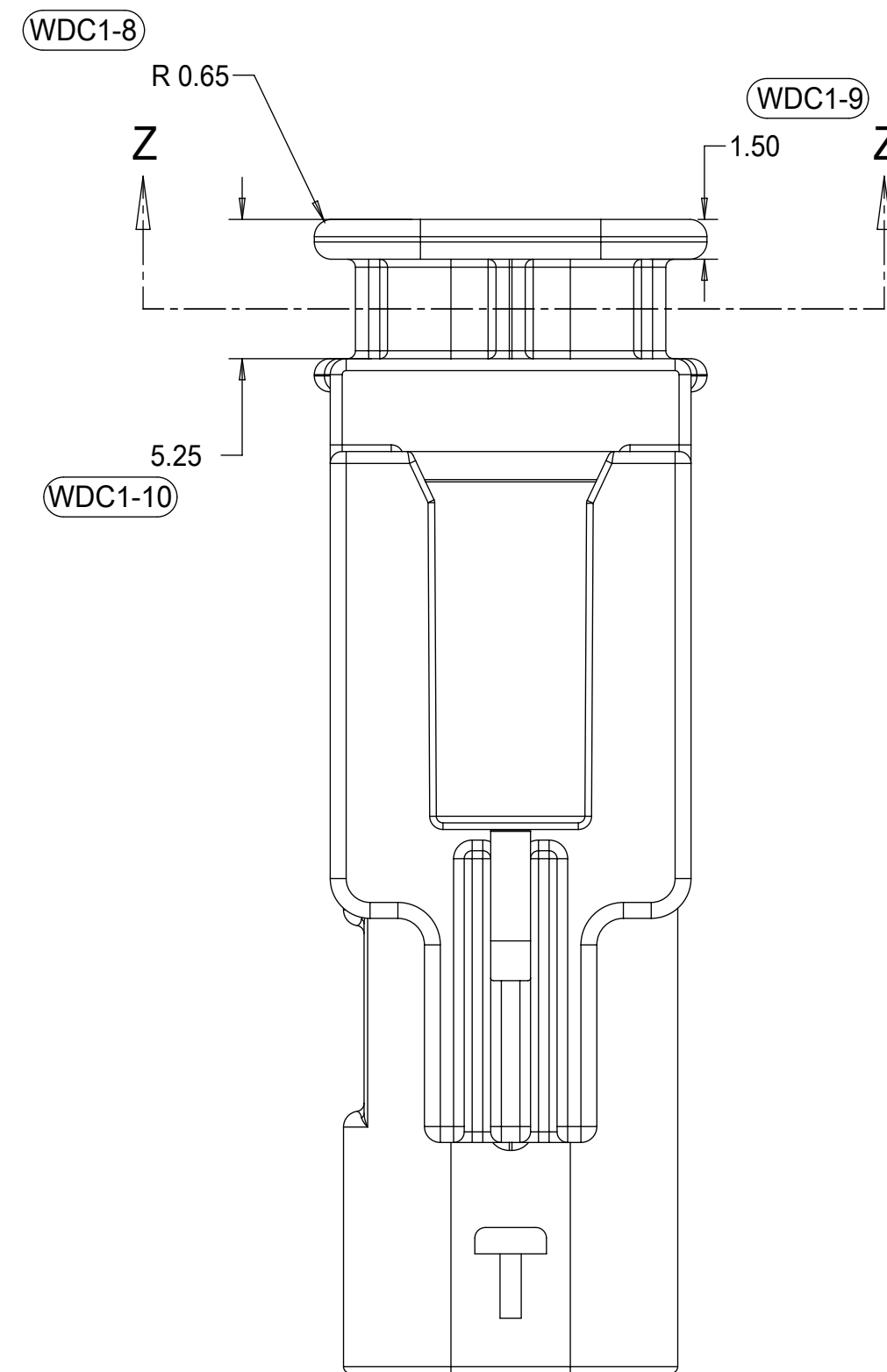
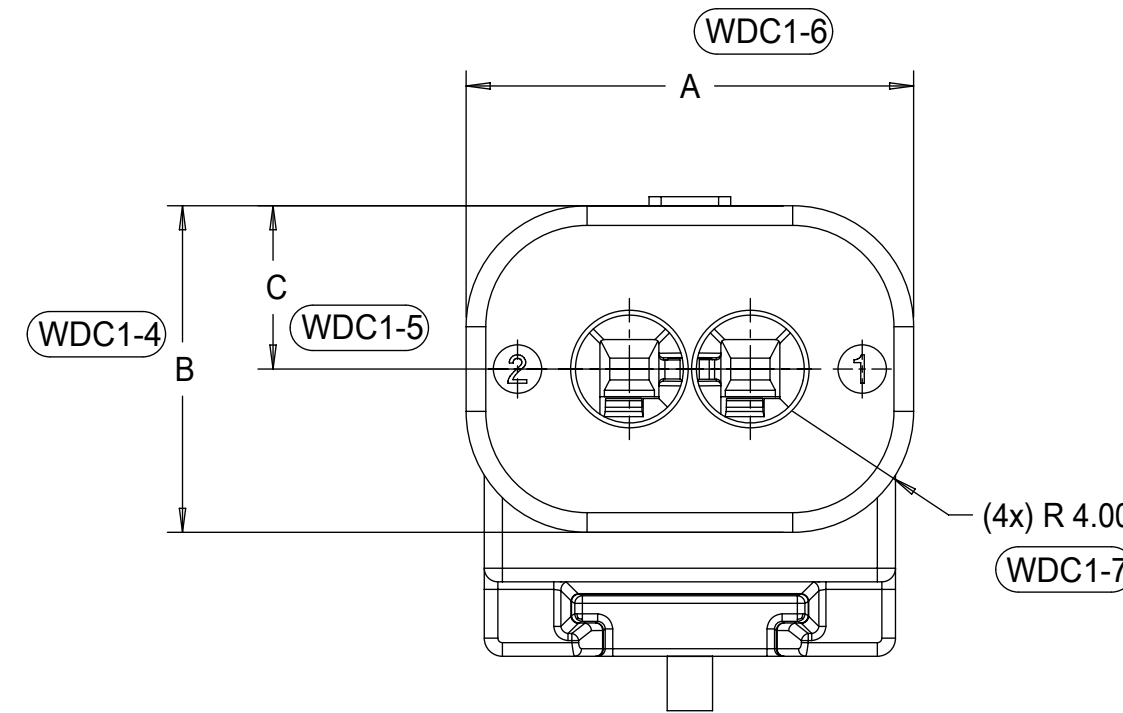
| | | | |
|---|----|-------|-------|
| 1x3 BLADE SEALED ASSEMBLY, 40G CLIP SLOT | 19 | 16.75 | 21.75 |
| 1x3 BLADE SEALED ASSEMBLY, 11mm CLIP SLOT | 19 | 14.6 | 20.75 |
| 1x3 BLADE SEALED ASSEMBLY, 7mm CLIP SLOT | 19 | 17 | 20.5 |
| 1x2 BLADE SEALED ASSEMBLY, 40G CLIP SLOT | 15 | 16.75 | 20.25 |
| 1x2 BLADE SEALED ASSEMBLY, 11mm CLIP SLOT | 15 | 15.5 | 19 |
| 1x2 BLADE SEALED ASSEMBLY, 7mm CLIP SLOT | 15 | 17 | 18.75 |
| CONFIGURATION | A | B | C |
| CHARTED DIMENSIONS | | | |

| THIS DRAWING CONTAINS INFORMATION THAT IS PROPRIETARY TO MOLEX ELECTRONIC TECHNOLOGIES, LLC AND SHOULD NOT BE USED WITHOUT WRITTEN PERMISSION | | | | | | | | | | |
|---|---|--------------------------|--|------|-------------------------|-------|--|--|--|--|
| QUALITY SYMBOLS | EC NO: 117908 DRWN: VYARAPPA CHK'D: REV APPR: KDEKOSKI | 2017/04/11 2017/06/22 | GENERAL TOLERANCES (UNLESS SPECIFIED) | | DIMENSION UNITS | SCALE | | | | |
| | | | ANGULAR TOL ± 3.0 ° | | MM | 4:1 | | | | |
| ▽ = 0 | 4 PLACES ± | | DRWN BY | DATE | SKRAJENDRANA 2013/11/06 | | | | | |
| ▽ = 0 | 3 PLACES ± | | CHK'D BY | DATE | | | | | | |
| ▽ = 0 | 2 PLACES ± 0.1 | | APPR BY | DATE | | | | | | |
| ▽ = 0 | 1 PLACE ± 0.2 | | DRAWING SIZE | | THIRD ANGLE PROJECTION | | PRODUCT CUSTOMER DRAWING | | | |
| ▽ = 0 | 0 PLACES ± 0.5 | | DRAFT WHERE APPLICABLE MUST REMAIN WITHIN DIMENSIONS | | D | | SERIES MATERIAL NUMBER CUSTOMER | | | |
| ▽ = 0 | A15 | | | | | | 34899 SEE BOM GENERAL MARKET | | | |
| | | | | | | | DOCUMENT NUMBER DOC TYPE DOC PART SHEET NUMBER | | | |
| | | | | | | | SD-34899-2001 PSD 001 5 OF 11 | | | |

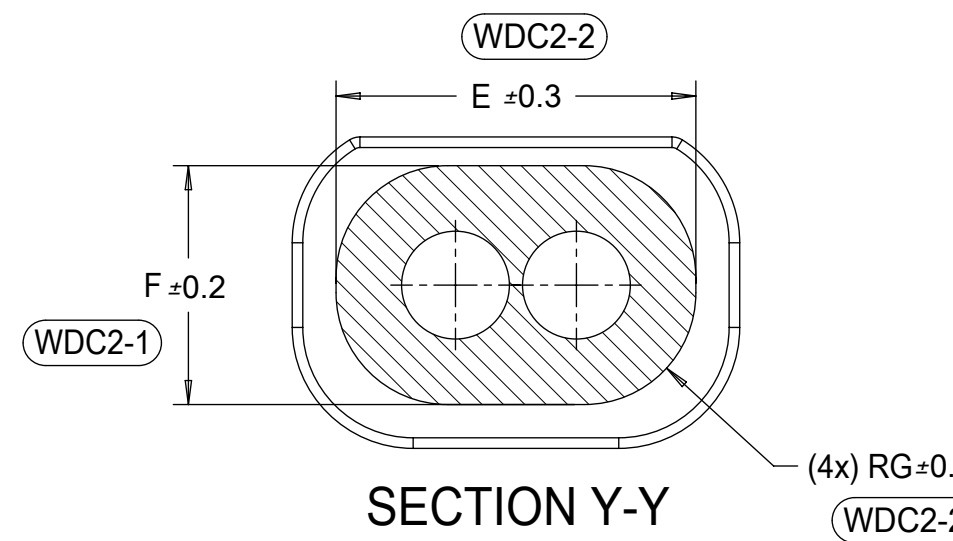


| | | | | | | |
|---------------|------|------|-----|------|-----|------|
| 3 CIRCUIT | 18.8 | 10.8 | 5.4 | 15.7 | 7.7 | 2.45 |
| 2 CIRCUIT | 14.8 | 10.8 | 5.4 | 11.7 | 7.7 | 2.45 |
| CONFIGURATION | A | B | C | E | F | G |

CHARTED DIMENSIONS

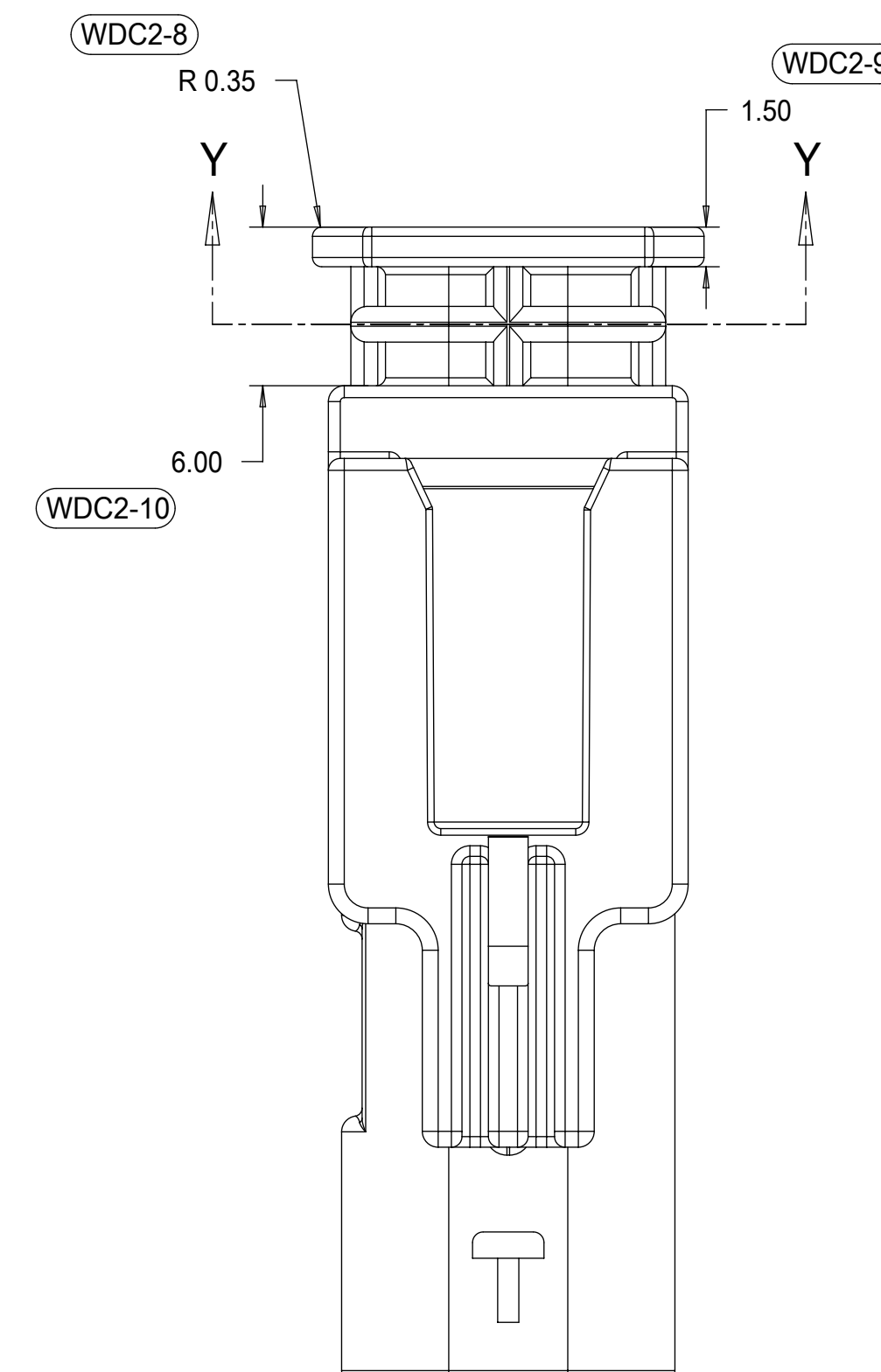
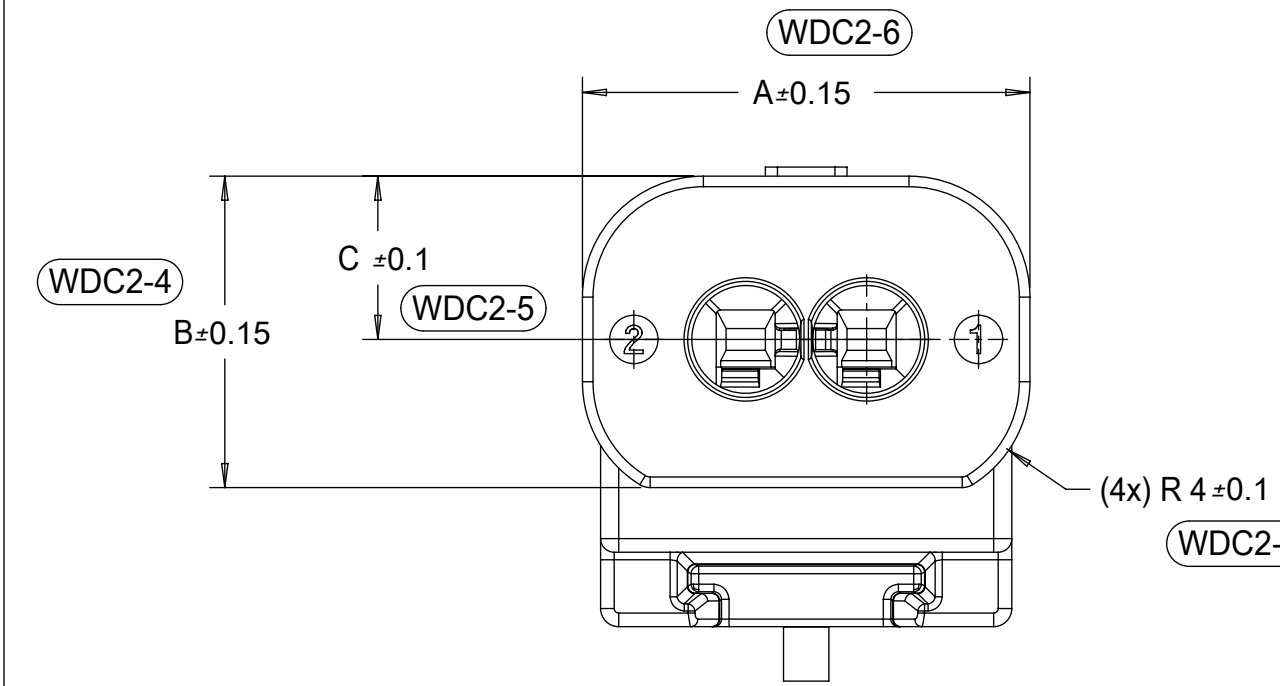


WIRE DRESS COVER
 INTERFACE OPTION 1
 WIRE DRESS COVERS
 NOT AVAILABLE



| | | | | | | |
|---------------|------|------|-----|------|-----|-----|
| 3 CIRCUIT | 18.8 | 10.8 | 5.4 | 15.9 | 7.9 | 3.7 |
| 2 CIRCUIT | 14.8 | 10.3 | 5.4 | 11.9 | 7.9 | 3.7 |
| CONFIGURATION | A | B | C | E | F | G |

CHARTED DIMENSIONS

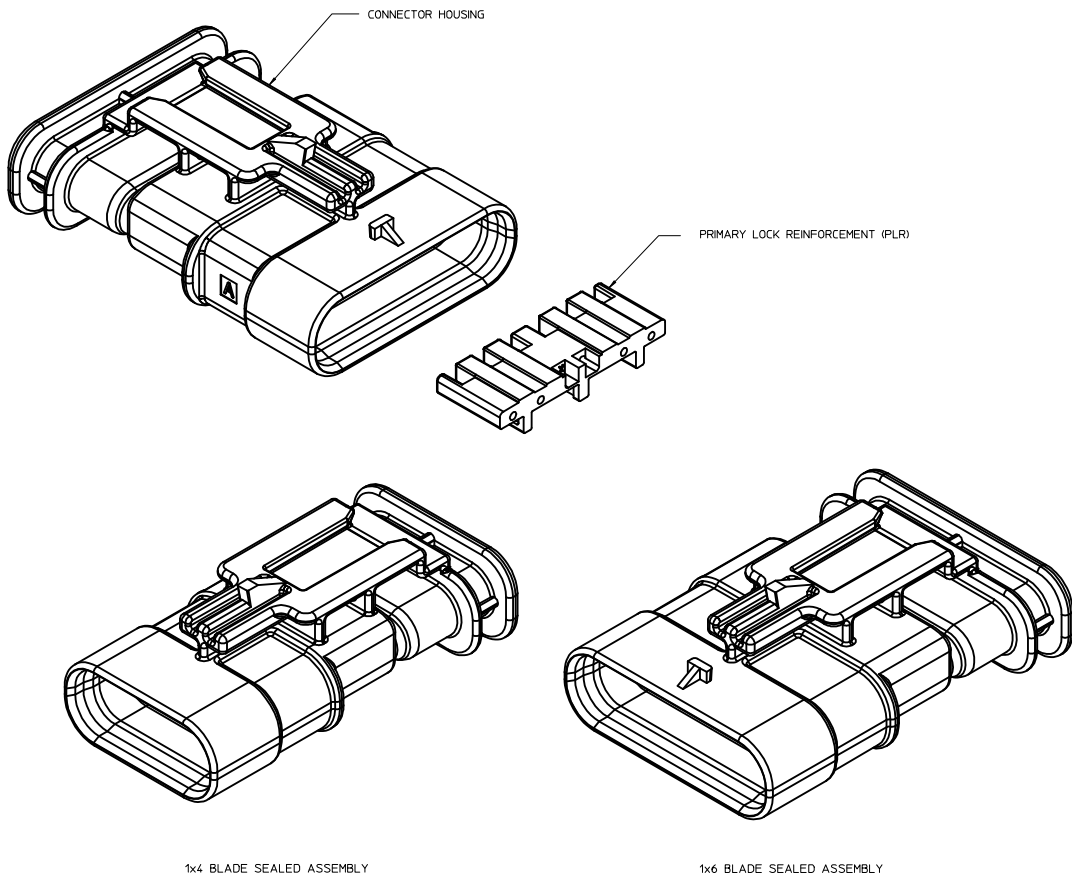


WIRE DRESS COVER
 INTERFACE OPTION 2
 BASED ON HIRSCHMANN INTERFACE
 DRAWING 808-012-xxx REV B5

| | | | | |
|--|---|----------------------------------|--|---|
| QUALITY SYMBOLS ▽ = 0 ▽ = 0 ▽ = 0 ▽ = 0 ▽ = 0 ▽ = 0 ▽ = 0 ▽ = 0 ▽ = 0 | THIS DRAWING CONTAINS INFORMATION THAT IS PROPRIETARY TO MOLEX ELECTRONIC TECHNOLOGIES, LLC AND SHOULD NOT BE USED WITHOUT WRITTEN PERMISSION | | GENERAL TOLERANCES (UNLESS SPECIFIED) DIMENSION UNITS: MM SCALE: 4:1 | <p>1.2MM 1X2, 1X3 BLADE SEALED ASSEMBLY CABLE SEAL</p> <p>PRODUCT CUSTOMER DRAWING</p> <p>SERIES: 34899 MATERIAL NUMBER: SEE TABLE CUSTOMER: GENERAL MARKET</p> <p>DOCUMENT NUMBER: SD-34899-2001 DOC TYPE: PSD DOC PART: 001 SHEET NUMBER: 7 OF 11</p> |
| | DRWN BY: 2017/04/11 CHKD: 2017/06/22 APPR: KDEKOSKI | DATE: 2013/11/06 SKRAJENDRANA | DATE: | |
| | 4 PLACES ± 3 PLACES ± 2 PLACES ± 0.1 1 PLACE ± 0.2 0 PLACES ± 0.5 | ANGULAR TOL ± 3.0 ° | DRAFT WHERE APPLICABLE MUST REMAIN WITHIN DIMENSIONS | |
| | DRAWING SIZE: D THIRD ANGLE PROJECTION | APPR BY: DATE: | | |

TABLE OF CONTENTS

| SHEET NO. | SHEET DESCRIPTION |
|-----------|--|
| 1 | NOTES |
| 2 | 1x4 BLADE SEALED ASSEMBLY KEYING CONFIGURATIONS |
| 3 | 1x6 BLADE SEALED ASSEMBLY KEYING CONFIGURATIONS |
| 4 | CLIP SLOT CONFIGURATIONS |
| 5 | BLADE SEALED ASSEMBLY |
| 6 | CONNECTION SYSTEM PACKAGING |
| 7 | WIRE DRESS COVER INTERFACE OPTIONS |
| 8 | 1x4 BLADE SEALED ASSEMBLY BOM INTERFACE OPTION 1 |
| 9 | 1x4 BLADE SEALED ASSEMBLY BOM INTERFACE OPTION 2 |
| 10 | 1x6 BLADE SEALED ASSEMBLY BOM INTERFACE OPTION 1 |
| 11 | 1x6 BLADE SEALED ASSEMBLY BOM INTERFACE OPTION 2 |



NOTES: VALID UNLESS OTHERWISE SPECIFIED

1. GENERAL:
 a. APPLICATION SPECIFICATION SEE: AS-34900-0001
 CONTAINS: PRODUCT INTRODUCTION, PRODUCT SUMMARY, CONNECTOR ASSEMBLY, PACKAGING INFORMATION, CONNECTOR MATING, SERVICE INSTRUCTIONS, ELECTRICAL CONTINUITY CHECKING, CRIMPING, AND TROUBLESHOOTING.
 b. PRODUCT SPECIFICATION SEE: PS-34900-0001
 CONTAINS: PRODUCT INTRODUCTION, PRODUCT SUMMARY, RATINGS (CURRENT, TEMPERATURE, SEALING, AND FLAMMABILITY), AND PRODUCT VALIDATION.
 c. PACKAGING SPECIFICATION PER MOLEX DRAWING: PK-31301-898
 d. PARTS MUST BE IN COMPLIANCE TO MOLEX CHEMICAL SUBSTANCES FOR PRODUCTS AND PACKAGING SPECIFICATION: QEHS-699000-301
 e. DATA MUST BE SUBMITTED UNDER THE MOLEX PART NUMBER TO IMDS (COMPANY ID#13255)

2. DESIGN - MATERIALS:
 a. SEE BOM TABLE

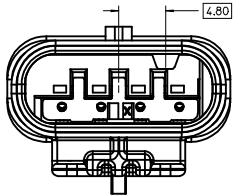
3. DESIGN - GEOMETRY:
 a. THIS IS A 100% CAD GENERATED PART. THE CAD MATHEMATICAL DATA IS THE MASTER FOR THIS PART. FOR DIMENSIONAL OR ANY INFORMATION NOT SHOWN ON THIS DRAWING, ANALYZE THE CAD MODEL.
 b. GEOMETRIC DIMENSIONS AND TOLERANCES PER ASME Y14.5M - 1994
 c. EDGES AND UNDIMENSIONED DETAILS PER ISO13715
 d. CORNERS SHOWN AS SHARP TO BE R 0.2 MAX.
 e. LETTERING SHALL BE 0.15 MAX RAISED IN 0.25 MAX RECESS PAD. THIS INCLUDES RECYCLING CODE, CAVITY ID, VENDOR IDENTIFICATION, AND CUSTOMER MATERIAL NUMBER.
 f. VISUAL DEFECTS SHALL MEET COSMETIC STANDARD PS-45499-002 (Class B)

g. LASER MARKING:
 1. PART NUMBER
 2. DAY OF THE YEAR
 3. SHIFT
 4. YEAR

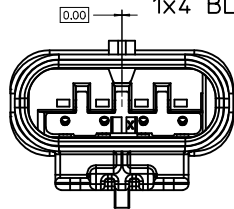
| | |
|-----|--|
| B15 | UPDATED BALLOONS 2-1 & 2-2 ON SHEET 7 |
| B14 | UPDATED PARTS TO SALEABLE |
| B13 | RELEASED PRIMARY KEYS NON-SIR SALEABLE |
| B12 | UPDATED PLR LOCK UP GEOMETRY |
| B11 | UPDATED WDC INTERFACE PART# TO TOOLED BUT NOT VALIDATED |
| B10 | UPDATED TOLERANCES WDC FEATURES |
| B9 | 1X4, 1X6 PART # WIRE DRESS COVER INTERFACE FEATURES OK TO TOOL |
| B8 | 1X4 40G CLIP-SLOT OK TO TOOL |
| B7 | 1X4 PART # UPDATED TO 'TOOLED BUT NOT VALIDATED' |
| B6 | ADDED 40G CLIP-SLOT PART NUMBERS |
| B5 | BOM CORRECTIONS AND UPDATES |
| B4 | BOM CORRECTIONS AND UPDATES |
| B3 | 1x4, 1x6 NON-SIR PART# OK TO TOOL |
| B2 | 1x6 11mm CLIP SLOT PART # OK TO TOOL |
| B1 | 1x6 11mm CLIP SLOT PART NUMBERS ADDED |
| B | ADDED 1x4 INFORMATION |
| A | OK TO TOOL |

| | | | | | | | |
|---|--|---------------------------------------|--|---|--|---|--|
| INSPECTION BALLOON NUMBER LOG | | SCALE: 4:1 | | DESIGN UNITS: METRIC | | THIRD ANGLE PROJECTION | |
| PER DRAWING REVISION: B12 | | DRAWN BY: MYANSLAMBROU | | DATE: 2012/07/13 | | TITLE: 12MM 1X4, 1X6 BLADE SEALED ASSEMBLY CABLE SEAL | |
| LAST BALLOON NUMBER USED: WDC2-10 | | CHECKED BY: YKOSHY | | DATE: 2012/07/19 | | molex | |
| ADDED BALLOON NUMBERS: WDC2-1 - WDC2-10 | | APPROVED BY: YKOSHY | | DATE: 2012/07/124 | | DOCUMENT NO. SD-34899-6001 | |
| REMOVED BALLOON NUMBERS: | | MATERIAL NO. SEE BOM | | SHEET NO. 1 OF 11 | | THIS DRAWING CONTAINS INFORMATION THAT IS PROPRIETARY TO MOLEX INCORPORATED AND SHOULD NOT BE USED WITHOUT WRITTEN PERMISSION | |
| CAD MODEL: 2016/06/15 ENTER DESCRIPTION: 2016/06/01 EC NO.: UAU2016-1803 DRAWN: KOWALSKY CHKD: APPR: KOSKOSKI | | QUALITY SYMBOLS: ∇=0 ∇=0 ∇=0 | | GENERAL TOLERANCES (UNLESS SPECIFIED): mm INCH 4 PLACES ±--- ±--- 3 PLACES ±--- ±--- 2 PLACES ±0.10 ±--- 1 PLACE ±0.20 ±--- 0 PLACE ±0.50 ± | | DIMENSION STYLE: MM ONLY ANGULAR ± 3 ° DRAFT WHERE APPLICABLE MUST REMAIN WITHIN DIMENSIONS | |

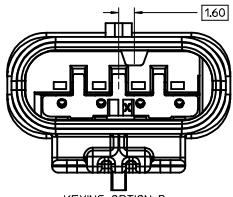
1x4 BLADE SEALED ASSEMBLY KEYING CONFIGURATIONS. FOR PART NUMBERS REFER TO BOM SHEET.



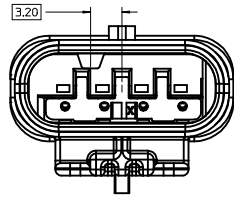
KEYING OPTION A



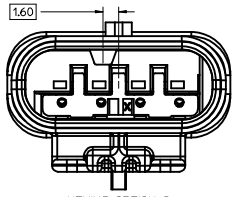
KEYING OPTION F



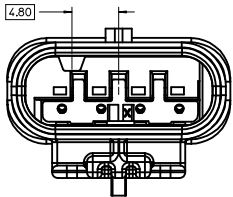
KEYING OPTION B



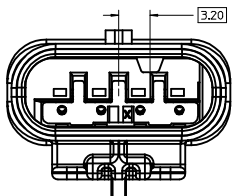
KEYING OPTION G



KEYING OPTION C



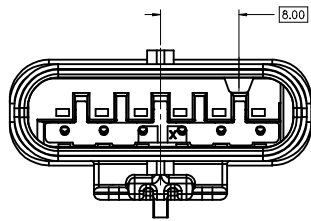
KEYING OPTION D



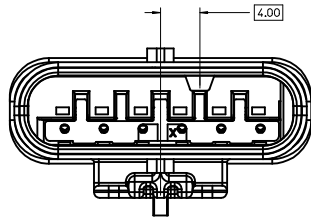
KEYING OPTION E

| | | | | | | | |
|--|-----------------|--|---|---------------|--------------|------------------------|--|
| ENTER DESCRIPTION EC NO: UAU2016-1803 DRAWN: KOWALSKI 2016/06/01 CHKD: CHYD APPR: KOJEKSKI 2016/06/15 REVISIONS: | QUALITY SYMBOLS | GENERAL TOLERANCES (UNLESS SPECIFIED) | DIMENSION STYLE | SCALE | DESIGN UNITS | THIRD ANGLE PROJECTION | |
| | ▽=0 | 4 PLACES ± mm ± INCH | MM ONLY | 4:1 | METRIC | ☉ | |
| | ▽=0 | 3 PLACES ± 0.10 ± 0.004 | | | | | |
| | ▽=0 | 1 PLACE ± 0.20 ± 0.008 | | | | | |
| | | ANGULAR ± 3 ° | | | | | |
| | | DRAFT WHERE APPLICABLE MUST REMAIN WITHIN DIMENSIONS | | | | | |
| | | | MATERIAL NO. | DOCUMENT NO. | | SHEET NO. | |
| | | | SEE BOM | SD-34899-6001 | | 2 OF 11 | |
| | | | THIS DRAWING CONTAINS INFORMATION THAT IS PROPRIETARY TO MOLEX INCORPORATED AND SHOULD NOT BE USED WITHOUT WRITTEN PERMISSION | | | | |

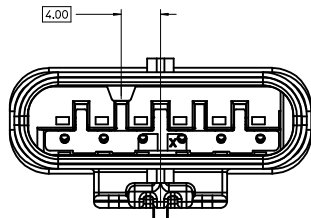
1x6 BLADE SEALED ASSEMBLY KEYING CONFIGURATIONS. FOR PART NUMBERS REFER TO BOM SHEET.



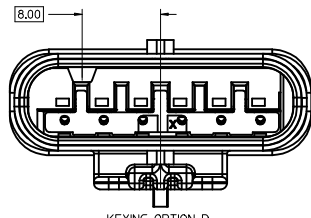
KEYING OPTION A



KEYING OPTION B



KEYING OPTION C

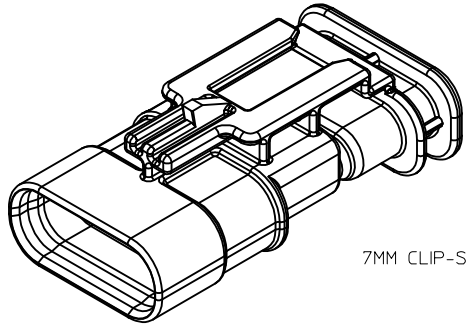


KEYING OPTION D

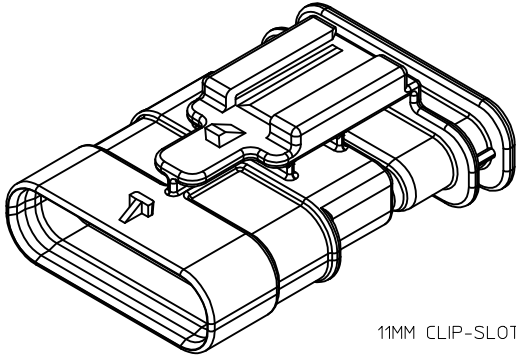
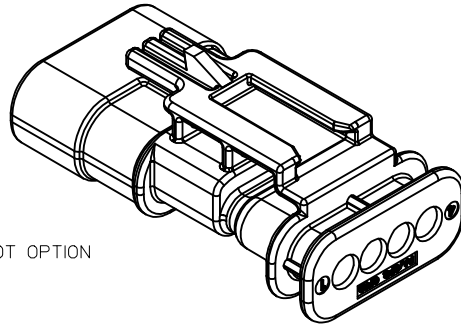
| | | | | | | | | | |
|--|--|--|---|--|-------------------------------------|--|---|------------------------|------------------------|
| ENTER DESCRIPTION EC NO: UAU2016-1803 DRAWN: KOKOMALSKY 2016/06/07 CHKD: CHYD APPR: KIEKOSKI 2016/06/15 REV: DESCRIPTION | QUALITY SYMBOLS ▽=0 ▽=0 ▽=0 | | GENERAL TOLERANCES (UNLESS SPECIFIED) mm INCH 4 PLACES ± --- ± --- 3 PLACES ± --- ± --- 2 PLACES ± 0.10 ± --- 1 PLACE ± 0.20 ± --- 0 PLACE ± 0.50 ± | | DIMENSION STYLE MM ONLY | | SCALE 4:1 | DESIGN UNITS METRIC | THIRD ANGLE PROJECTION |
| | DRAFT WHERE APPLICABLE MUST REMAIN WITHIN DIMENSIONS | | ANGULAR ± 3 ° | | DRAWN BY MYANSLAMBROU 2012/07/13 | | DATE 2012/07/13 | | |
| | MATERIAL NO. SEE BOM | | CHECKED BY VKOSHY 2012/07/19 | | DATE 2012/07/19 | | TITLE 12MM 1X4, 1X6 BLADE SEALED ASSEMBLY CABLE SEAL | | |
| | SIZE D | | APPROVED BY VKOSHY 2012/07/24 | | DATE 2012/07/24 | | DOCUMENT NO. SD-34899-6001 | | SHEET NO. 3 OF 11 |

molex

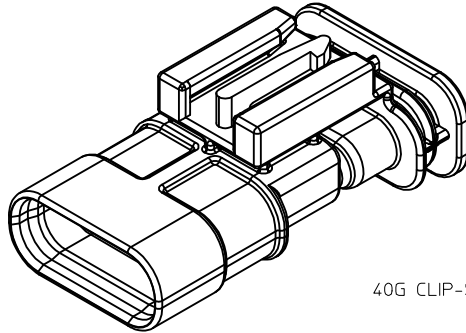
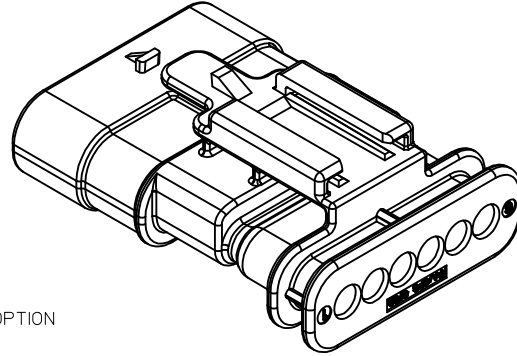
CLIP-SLOT CONFIGURATIONS. FOR PART NUMBERS REFER TO BOM SHEET.



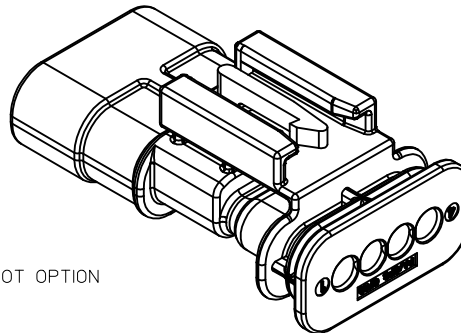
7MM CLIP-SLOT OPTION



11MM CLIP-SLOT OPTION

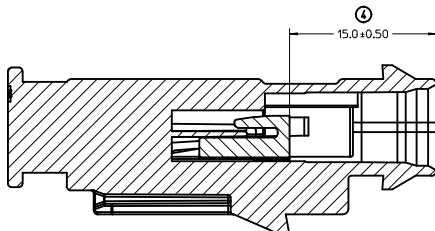
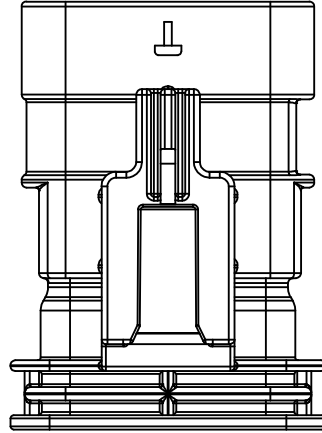
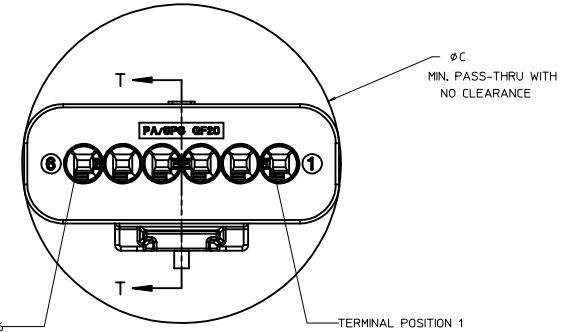
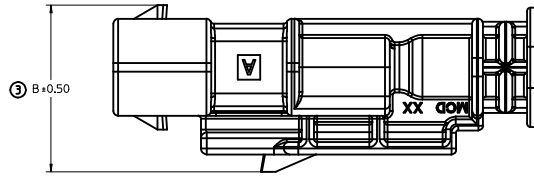
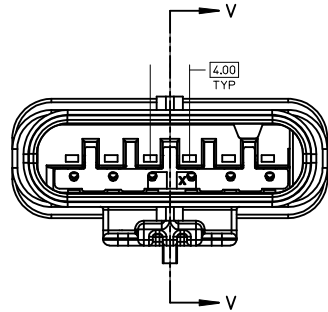
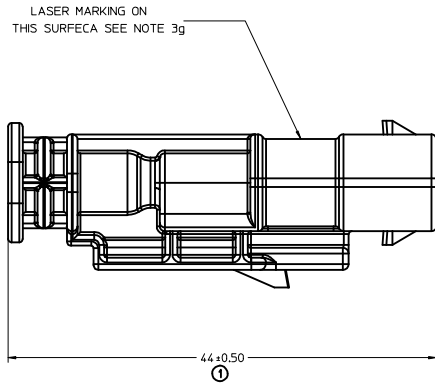


40G CLIP-SLOT OPTION

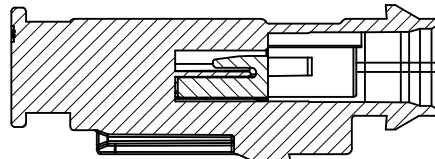


| | | | | | | | |
|---|-----------------|---------------------------------------|--|------------------------|---|----------------------|---|
| ENTER DESCRIPTION EC NO: UAU2016-1803 DRAWN BY: KOWALSKI CHKD: APPR: KIEGSKI 2016/06/01 2016/06/15 | QUALITY SYMBOLS | GENERAL TOLERANCES (UNLESS SPECIFIED) | | DIMENSION STYLE | SCALE | DESIGN UNITS | THIRD ANGLE PROJECTION |
| | ▽=0 | mm | INCH | MM ONLY | 4:1 | METRIC | ☉ |
| | ▽=0 | 4 PLACES ± --- | ± --- | DRAWN BY: MYANSLAMBROU | | DATE: 2012/07/13 | TITLE: 12MM 1X4, 1X6 BLADE SEALED ASSEMBLY CABLE SEAL |
| | ▽=0 | 3 PLACES ± 0.10 | ± --- | CHECKED BY: VKOSHY | | DATE: 2012/07/19 | molex |
| ▽=0 | 2 PLACES ± 0.20 | ± --- | APPROVED BY: VKOSHY | | DATE: 2012/07/24 | MATERIAL NO. SEE BOM | DOCUMENT NO. SD-34899-6001 |
| | 1 PLACE ± 0.50 | ± | ANGULAR ± 3 ° | | SIZE D | | SHEET NO. 4 OF 11 |
| | 0 PLACE ± 0.50 | ± | DRAFT WHERE APPLICABLE MUST REMAIN WITHIN DIMENSIONS | | THIS DRAWING CONTAINS INFORMATION THAT IS PROPRIETARY TO MOLEX INCORPORATED AND SHOULD NOT BE USED WITHOUT WRITTEN PERMISSION | | |

BLADE SEALED ASSEMBLY



SECTION V-V



SECTION T-T

PRIMARY LOCK REINFORCEMENT (PLR) SHOWN IN THE PRE-STAGED POSITION

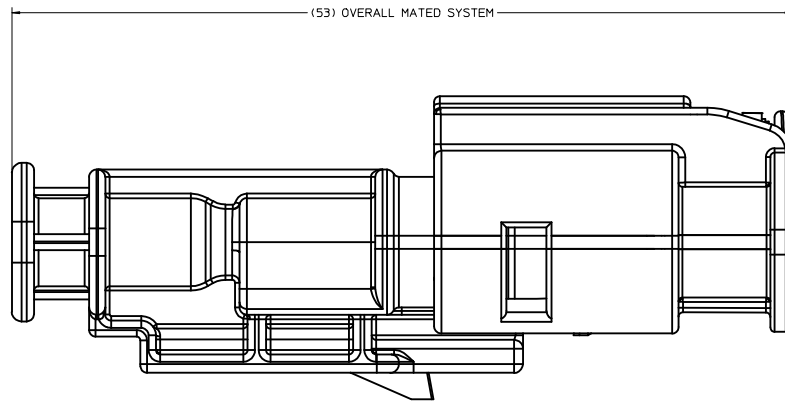
PRIMARY LOCK REINFORCEMENT (PLR) SHOWN IN THE FINAL-LOCK POSITION

| | | |
|---|-------|-------|
| 1x6 BLADE SEALED ASSEMBLY, 40G CLIP SLOT | 17.5 | 32.75 |
| 1x6 BLADE SEALED ASSEMBLY, 11mm CLIP SLOT | 16 | 32.75 |
| 1x6 BLADE SEALED ASSEMBLY, 7mm CLIP SLOT | 17.25 | 32.75 |
| 1x4 BLADE SEALED ASSEMBLY, 40G CLIP SLOT | 17.5 | 25.25 |
| 1x4 BLADE SEALED ASSEMBLY, 11mm CLIP SLOT | 16 | 24.75 |
| 1x4 BLADE SEALED ASSEMBLY, 7mm CLIP SLOT | 17.25 | 24.75 |
| CONFIGURATION | B | C |

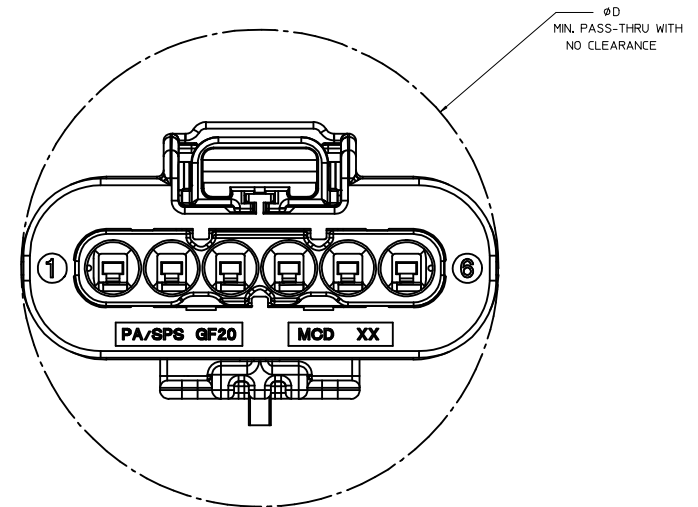
CHARTED DIMENSIONS

| | | | | | | | |
|--|---|--|-----------------|--------------|---------------|---|---|
| ENTER DESCRIPTION EC NO. UAU2016-1803 DRAWN: KOKALSKY 2016/06/01 CHKD: APPR: KOKOSKI 2016/06/15 | QUALITY SYMBOLS | GENERAL TOLERANCES (UNLESS SPECIFIED) | DIMENSION STYLE | SCALE | DESIGN UNITS | THIRD ANGLE PROJECTION | |
| | ∇=0 ∇=0 ∇=0 | mm INCH 4 PLACES ± --- ± --- 3 PLACES ± --- ± --- 2 PLACES ± 0.10 ± --- 1 PLACE ± 0.20 ± --- 0 PLACE ± 0.50 ± | MM ONLY | 4:1 | METRIC | DRAWN BY DATE MYANSLAMBROU 2012/07/13 CHECKED BY DATE VKOSHY 2012/07/19 APPROVED BY DATE VKOSHY 2012/07/24 | TITLE 12MM 1X4, 1X6 BLADE SEALED ASSEMBLY CABLE SEAL |
| | ANGULAR ± 3 ° DRAFT WHERE APPLICABLE MUST REMAIN WITHIN DIMENSIONS | MATERIAL NO. | SEE BOM | DOCUMENT NO. | SD-34899-6001 | SHEET NO. | 5 OF 11 |
| | SIZE D THIS DRAWING CONTAINS INFORMATION THAT IS PROPRIETARY TO MOLEX INCORPORATED AND SHOULD NOT BE USED WITHOUT WRITTEN PERMISSION | | | | | | |

CONNECTION SYSTEM PACKAGING



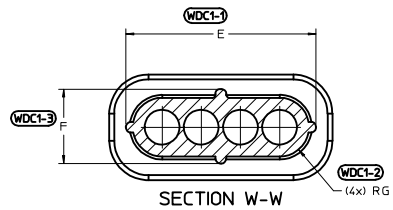
MODEL USED 'AM-120-S-006-1-Z01'



| | |
|---|-------|
| 1x6 RECEPTACLE MATED TO 1x6 BLADE, 40 CLIP SLOT | TBD |
| 1x6 RECEPTACLE MATED TO 1x6 BLADE, 11mm CLIP SLOT | 33.5 |
| 1x6 RECEPTACLE MATED TO 1x6 BLADE, 7mm CLIP SLOT | 33.5 |
| 1x4 RECEPTACLE MATED TO 1x4 BLADE, 40G CLIP SLOT | 25.50 |
| 1x4 RECEPTACLE MATED TO 1x4 BLADE, 11mm CLIP SLOT | 25.50 |
| 1x4 RECEPTACLE MATED TO 1x4 BLADE, 7mm CLIP SLOT | 25.50 |
| 1.2mm CONNECTION SYSTEM CONFIGURATION | D |

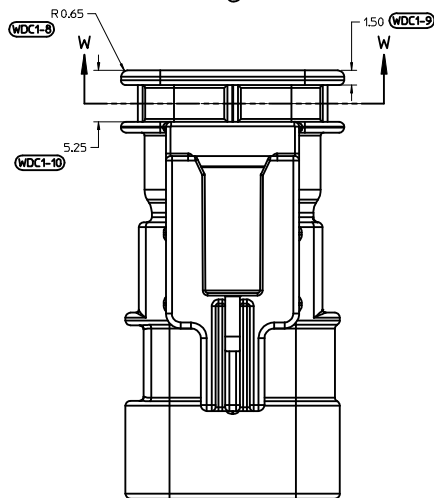
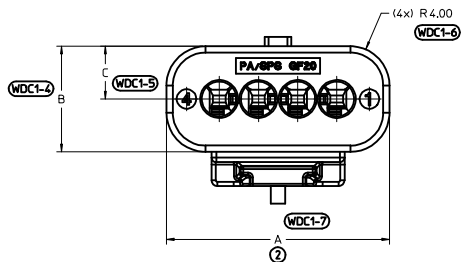
CHARTED DIMENSIONS

| | | | | | | |
|---|-----------------|--|----------------------------------|---|----------------------------|--|
| ENTER DESCRIPTION EC NO: UAU2016-1803 DRAWN: KOMALSKY 2016/06/01 CHKD: APPR: KOEKOGLI 2016/06/15 REV: DESCRIPTION | QUALITY SYMBOLS | GENERAL TOLERANCES (UNLESS SPECIFIED) | DIMENSION STYLE | SCALE | DESIGN UNITS | THIRD ANGLE PROJECTION |
| | ▽=0 | mm INCH | MM ONLY | 6:1 | METRIC | ☉ |
| | ▽=0 | 4 PLACES ± --- ± --- | DRAWN BY MYANSLAMBROU 2012/07/13 | DATE | TITLE | 12MM 1X4, 1X6 BLADE SEALED ASSEMBLY CABLE SEAL |
| | ▽=0 | 3 PLACES ± 0.10 ± --- | CHECKED BY VKOSHY 2012/07/19 | DATE | | |
| | | ANGULAR ± 3 ° | APPROVED BY VKOSHY 2012/07/24 | DATE | | |
| | | DRAFT WHERE APPLICABLE MUST REMAIN WITHIN DIMENSIONS | MATERIAL NO. SEE BOM | | DOCUMENT NO. SD-34899-6001 | SHEET NO. 6 OF 11 |
| | | | SIZE D | THIS DRAWING CONTAINS INFORMATION THAT IS PROPRIETARY TO MOLEX INCORPORATED AND SHOULD NOT BE USED WITHOUT WRITTEN PERMISSION | | |

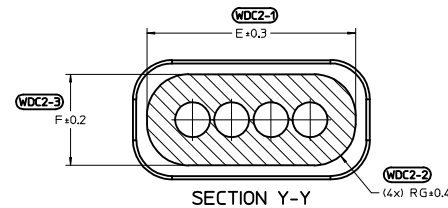


| | | | | | | |
|---------------|------|------|-----|------|-----|-----|
| 6 CIRCUIT | 30.8 | 10.8 | 5.4 | 27.4 | 7.6 | 3.0 |
| 4 CIRCUIT | 22.8 | 10.8 | 5.4 | 19.4 | 7.6 | 3.0 |
| CONFIGURATION | A | B | C | E | F | G |

CHARTED DIMENSIONS

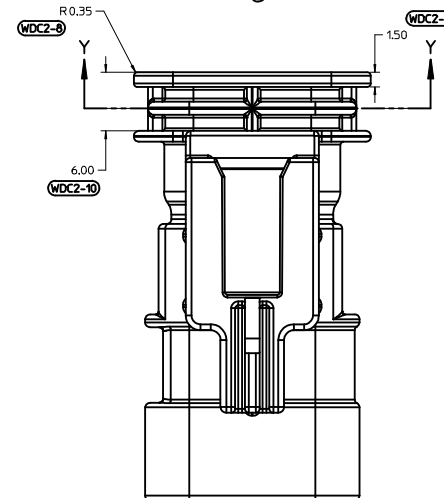
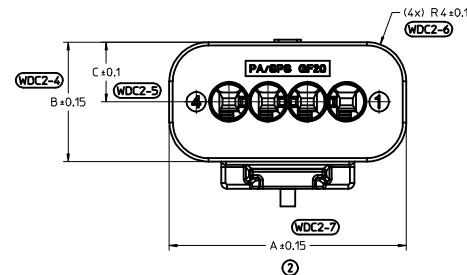


WIRE DRESS COVER
INTERFACE OPTION 1
WIRE DRESS COVERS
NOT AVAILABLE



| | | | | | | |
|---------------|------|------|-----|------|-----|-----|
| 6 CIRCUIT | 32.2 | 12.2 | 6.1 | 29.3 | 9.3 | 4.2 |
| 4 CIRCUIT | 24.2 | 12.2 | 6.1 | 21.3 | 9.3 | 4.2 |
| CONFIGURATION | A | B | C | E | F | G |

CHARTED DIMENSIONS



WIRE DRESS COVER
INTERFACE OPTION 2
BASED ON HIRSCHMANN INTERFACE
DRAWING 808-012-xxx REV B5

| | | | | | | | | | |
|--|---|--|------------|---|---|--|--------------------------------------|--|----------------------|
| ENTER DESCRIPTION EC NO. UAU2016-1803 DRAWN BY KOWALSKI 2016/06/01 CHKD: APPR: KOKOSKI 2016/06/15 | QUALITY SYMBOLS ∇=0 ∇=0 ∇=0 | GENERAL TOLERANCES (UNLESS SPECIFIED) | | DIMENSION STYLE MM ONLY | SCALE 4:1 | DESIGN UNITS METRIC | THIRD ANGLE PROJECTION | | |
| | | 4 PLACES ± --- ± --- 3 PLACES ± --- ± --- 2 PLACES ± 0.10 ± --- 1 PLACE ± 0.20 ± --- 0 PLACE ± 0.50 ± | mm INCH | DRAWN BY DATE MYANSLAMBROU 2012/07/13 | CHECKED BY DATE VKOSHY 2012/07/19 | TITLE 12MM 1X4, 1X6 BLADE SEALED ASSEMBLY CABLE SEAL | | | |
| | | ANGULAR ± 3 ° DRAFT WHERE APPLICABLE MUST REMAIN WITHIN DIMENSIONS | | APPROVED BY DATE VKOSHY 2012/07/24 | MATERIAL NO. SEE TABLE | | DOCUMENT NO. SD-34899-6001 | | SHEET NO. 7 OF 11 |
| | | SIZE D THIS DRAWING CONTAINS INFORMATION THAT IS PROPRIETARY TO MOLEX INCORPORATED AND SHOULD NOT BE USED WITHOUT WRITTEN PERMISSION | | | | | | | |

TABLE OF CONTENTS

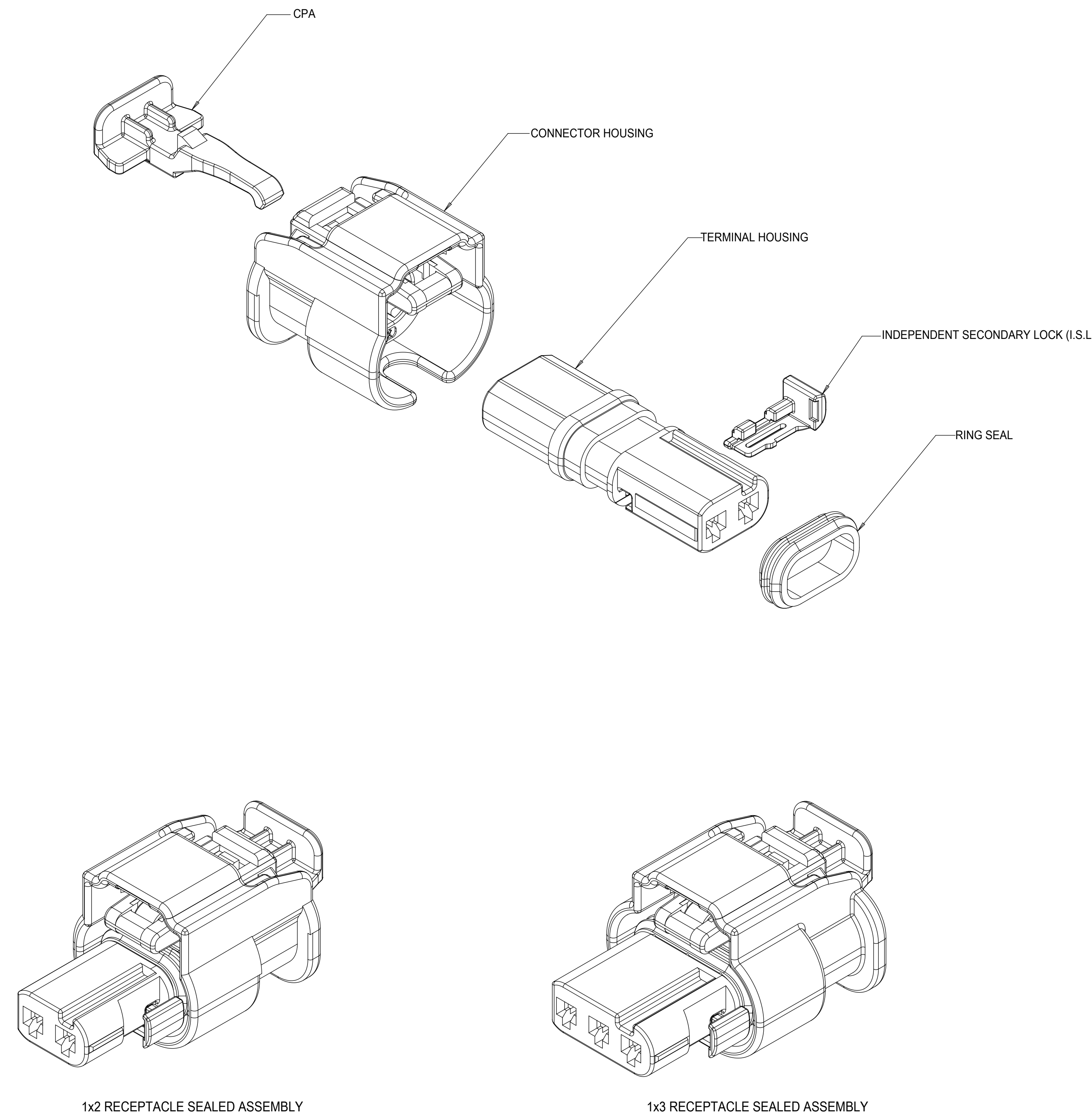
| SHEET NO. | SHEET DESCRIPTION |
|-----------|--|
| 1 | NOTES |
| 2 | 1x2 RECEPTACLE SEALED ASSEMBLY KEYING CONFIGURATIONS |
| 3 | 1x3 RECEPTACLE SEALED ASSEMBLY KEYING CONFIGURATIONS |
| 4 | RECEPTACLE SEALED ASSEMBLY |
| 5 | 1x2 RECEPTACLE SEALED ASSEMBLY BOM SHEET 1 |
| 6 | 1x3 RECEPTACLE SEALED ASSEMBLY BOM SHEET 1 |
| 7 | OBSOLETE PART NUMBERS |

NOTES: VALID UNLESS OTHERWISE SPECIFIED

1. GENERAL:
 - a. APPLICATION SPECIFICATION SEE: AS-34900-0001
CONTAINS: PRODUCT INTRODUCTION, PRODUCT SUMMARY, CONNECTOR ASSEMBLY, PACKAGING INFORMATION, CONNECTOR MATING, SERVICE INSTRUCTIONS, ELECTRICAL CONTINUITY CHECKING, CRIMPING, AND TROUBLESHOOTING.
 - b. PRODUCT SPECIFICATION SEE: PS-34900-0001
CONTAINS: PRODUCT INTRODUCTION, PRODUCT SUMMARY, RATINGS (CURRENT, TEMPERATURE, SEALING, AND FLAMMABILITY), AND PRODUCT VALIDATION.
 - c. PACKAGING SPECIFICATION PER MOLEX DRAWING: PK-31301-898
 - d. PARTS MUST BE IN COMPLIANCE TO MOLEX CHEMICAL SUBSTANCES FOR PRODUCTS AND PACKAGING SPECIFICATION: ES-40000-5016
 - e. DATA MUST BE SUBMITTED UNDER THE MOLEX PART NUMBER TO IMDS (COMPANY ID#13255)
 - f. DESIGNED TO MATE WITH DEVICE CONNECTION AS SPECIFIED IN BOM CHART
USCAR DRAWINGS AND MODELS ARE AVAILABLE AT <http://ewcap.uscarteams.org/>.

2. DESIGN - MATERIALS:
 - a. SEE BOM TABLE

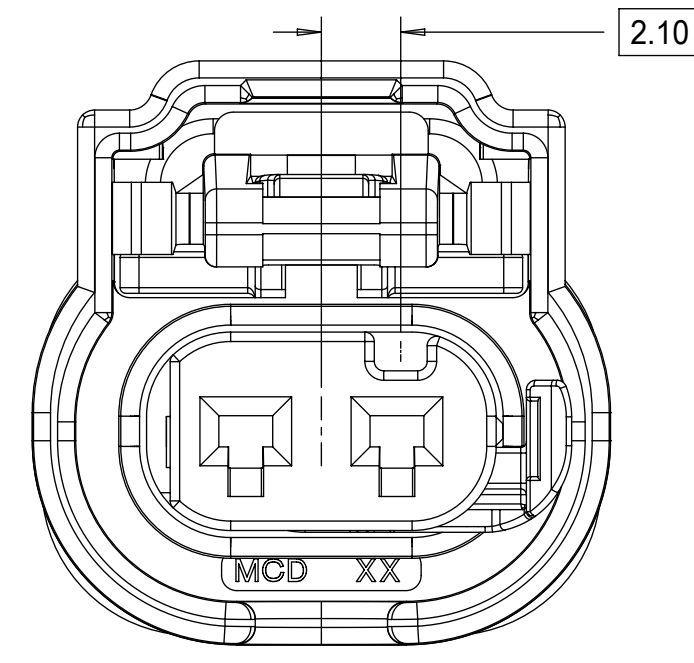
3. DESIGN - GEOMETRY:
 - a. THIS IS A 100% CAD GENERATED PART. THE CAD MATHEMATICAL DATA IS THE MASTER FOR THIS PART. FOR DIMENSIONAL OR ANY INFORMATION NOT SHOWN ON THIS DRAWING, ANALYZE THE CAD MODEL.
 - b. GEOMETRIC DIMENSIONS AND TOLERANCES PER ASME Y14.5M - 1994
 - c. EDGES AND UNDIMENSIONED DETAILS PER ISO13715
 - d. CORNERS SHOWN AS SHARP TO BE R 0.2 MAX.
 - e. LETTERING SHALL BE 0.15 MAX RAISED IN 0.25 MAX RECESS PAD.
THIS INCLUDES RECYCLING CODE, CAVITY ID, VENDOR IDENTIFICATION, AND CUSTOMER MATERIAL NUMBER.
 - f. VISUAL DEFECTS SHALL MEET COSMETIC STANDARD PS-45499-002 (Class B)
 - g. LASER MARKING:
 1. PART NUMBER
 2. DAY OF THE YEAR
 3. SHIFT
 4. YEAR



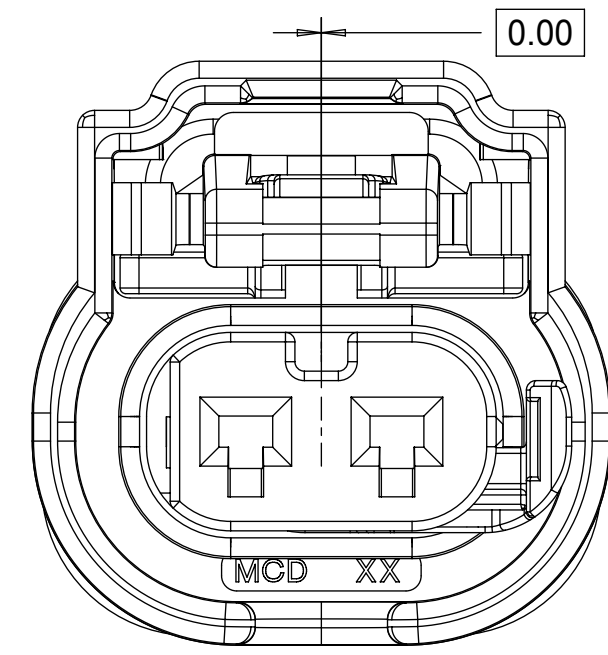
| | |
|-----|--|
| C3 | ADDED CPA2 PNs |
| C2 | UPDATED STATUS OF PNS |
| C1 | - NX-REMASTERING FROM MODEL MANAGER - 1X2 KEY C MADE SALEABLE |
| C | 34900-3127 RELEASED AS SALEABLE |
| B | PRIMARY KEYS (A,B) MOVED TO SALEABLE |
| A10 | ADDED 1X3 SEVERE VIBRATION PART NUMBER |
| A9 | 1X2 AND 1X3 PART # UPDATED DIMENSION 2 UPDATED |
| A8 | 1X2 PART # UPDATED TO "TOOLED BUT NOT VALIDATED" |
| A7 | 1X2 PART # UPDATED TO "TOOLED BUT NOT VALIDATED" |
| A6 | ADDED NEW PART NUMBERS FOR LATCH IMPROVEMENT |
| A5 | BOM CORRECTIONS AND UPDATES |
| A4 | BOM CORRECTIONS AND UPDATES |
| A3 | 1x2, 1x3 NON-SIR OK TO TOOL |
| A2 | MINOR BOM CORRECTIONS |
| A1 | ADDED COMPONENTS TO BOM |
| A | ADDED BLACK PART NUMBERS AND MINOR BOM UPDATES |
| 3 | ADDED 1x3 |
| 2 | MINOR BOM CORRECTIONS |
| 1 | INITIAL RELEASE |
| REV | DESCRIPTION |

| QUALITY SYMBOLS | THIS DRAWING CONTAINS INFORMATION THAT IS PROPRIETARY TO MOLEX ELECTRONIC TECHNOLOGIES, LLC AND SHOULD NOT BE USED WITHOUT WRITTEN PERMISSION | | DIMENSION UNITS | | SCALE |
|-----------------|---|------------------------|--|-----------------|--------------------------------|
| ▽ = 0 | 2019/08/05 | DRWN: GELLIOTTO1 | GENERAL TOLERANCES (UNLESS SPECIFIED) | mm | 4:1 |
| ▽ = 0 | 2019/08/06 | CHKD: KBORUSZEWSKI | ANGULAR TOL ± 3.0 ° | DRWN BY | DATE |
| ▽ = 0 | 2019/08/06 | REV APPR: KBORUSZEWSKI | 4 PLACES ± | MVANSLAMBROU | 2012/02/15 |
| ▽ = 0 | | | 3 PLACES ± | CHKD BY | DATE |
| ▽ = 0 | | | 2 PLACES ± 0.1 | | 2013/11/06 |
| ▽ = 0 | | | 1 PLACE ± 0.2 | APPR BY | DATE |
| ▽ = 0 | | | 0 PLACES ± 0.5 | GGA | 2012/12/13 |
| ▽ = 0 | | | DRAFT WHERE APPLICABLE MUST REMAIN WITHIN DIMENSIONS | DRAWING SIZE | THIRD ANGLE PROJECTION |
| ▽ = 0 | | | | D | |
| | EC NO: 621905 | | | SERIES | MATERIAL NUMBER |
| | | | | 34900 | SEE TABLE |
| | | | | CUSTOMER | GENERAL MARKET |
| | | | | DOCUMENT NUMBER | DOC TYPE DOC PART SHEET NUMBER |
| | | | | SD-34900-2001 | PSD 001 1 OF 7 |

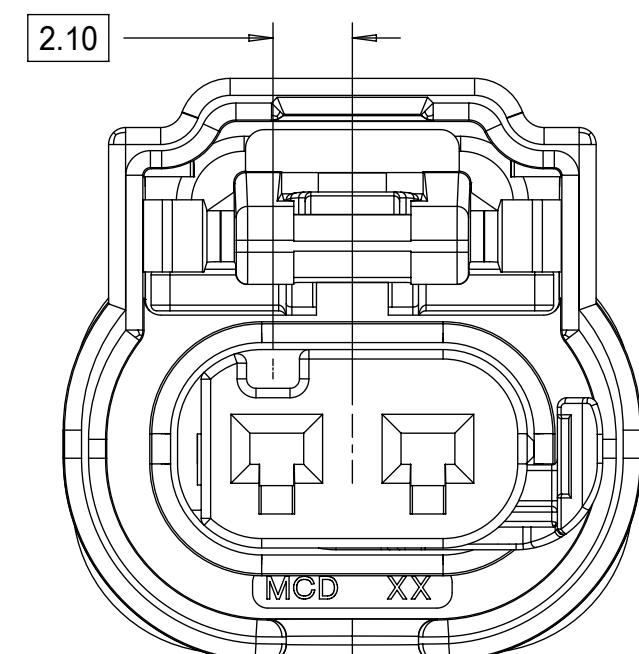
1x2 RECEPTACLE SEALED ASSEMBLY KEYING CONFIGURATIONS. FOR PART NUMBERS REFER TO BOM SHEET.



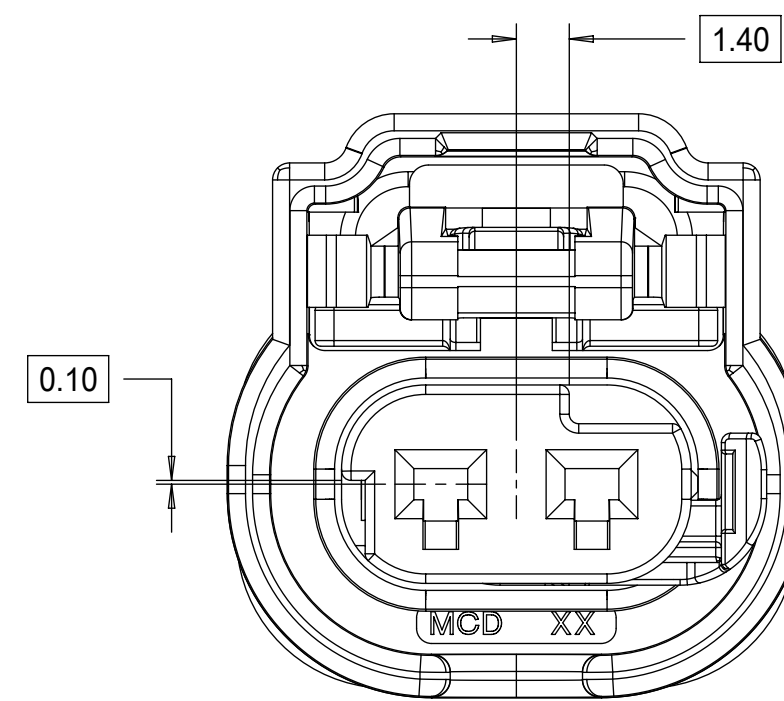
KEYING OPTION A



KEYING OPTION B



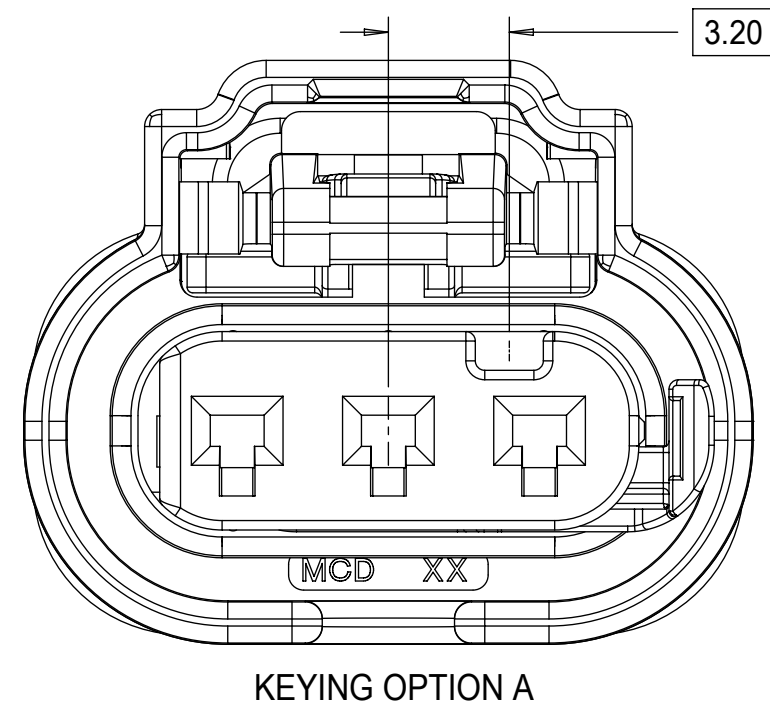
KEYING OPTION C



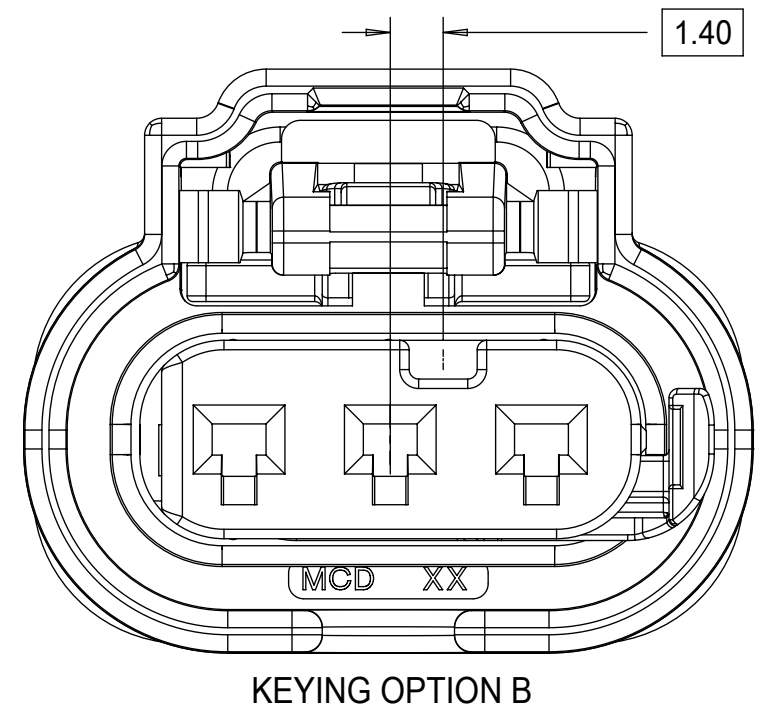
KEYING OPTION E

| | | | | | | | | | |
|--|--|---|--|--|--|---|--|---|--|
| QUALITY SYMBOLS ▽ = 0 ▽ = 0 ▽ = 0 ▽ = 0 ▽ = 0 ▽ = 0 ▽ = 0 ▽ = 0 ▽ = 0 | | THIS DRAWING CONTAINS INFORMATION THAT IS PROPRIETARY TO MOLEX ELECTRONIC TECHNOLOGIES, LLC AND SHOULD NOT BE USED WITHOUT WRITTEN PERMISSION | | GENERAL TOLERANCES (UNLESS SPECIFIED) DIMENSION UNITS: mm SCALE: 5:1 ANGULAR TOL ± 3.0 ° DRWN BY: MVANSLAMBROU DATE: 2012/02/15 CHKD BY: GGA DATE: 2013/11/06 APPR BY: GGA DATE: 2012/12/13 | | molex 1.2MM 1X2, 1X3 RECPT. SEALED ASSEMBLY CABLE SEAL 621905: ADDED CPA2 PNS, RE-ADDED PNS USING TERMINAL H | | PRODUCT CUSTOMER DRAWING SERIES: 34900 MATERIAL NUMBER: SEE BOM CUSTOMER: GENERAL MARKET | |
| EC NO: 621905 DRWN: GELLIOTTO1 CHKD: KBORUSZEWSKI REV: APPR: KBORUSZEWSKI | | DRAFT WHERE APPLICABLE MUST REMAIN WITHIN DIMENSIONS | | DRAUGHTING SYMBOLS D: DRAFTING SYMBOL THIRD ANGLE PROJECTION | | DOCUMENT NUMBER: SD-34900-2001 DOC TYPE: PSD DOC PART: 001 SHEET NUMBER: 2 OF 7 | | C3 | |

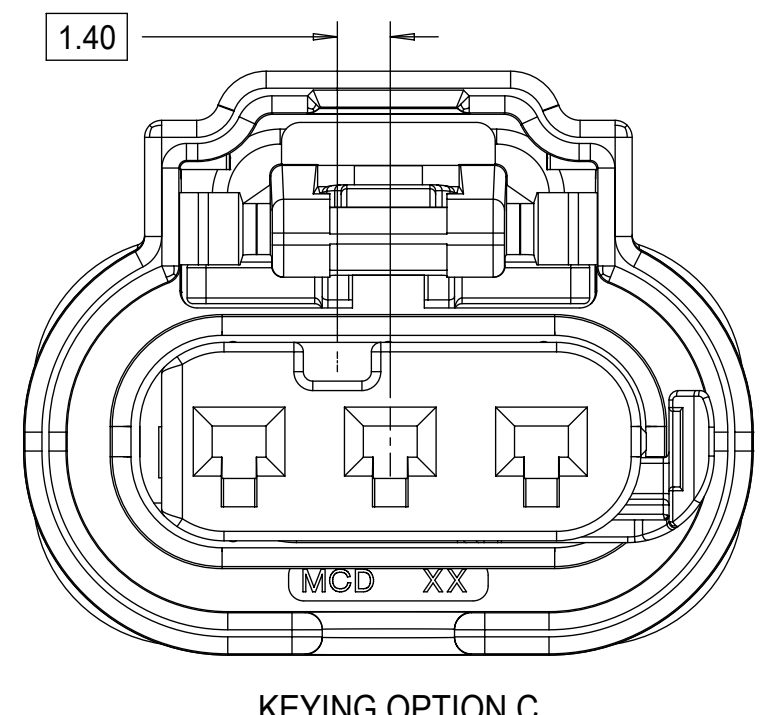
1x3 RECEPTACLE SEALED ASSEMBLY KEYING CONFIGURATIONS. FOR PART NUMBERS REFER TO BOM SHEET.



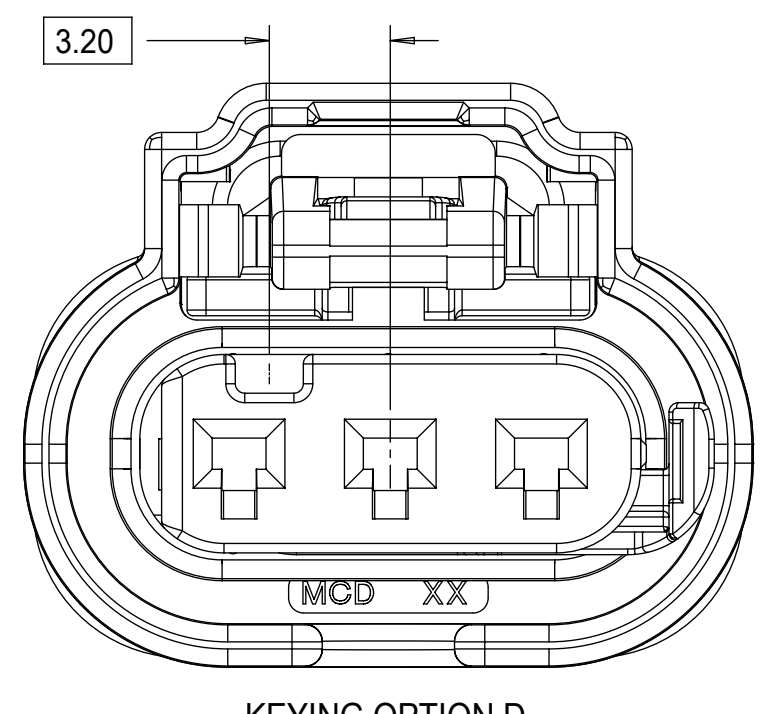
KEYING OPTION A



KEYING OPTION B

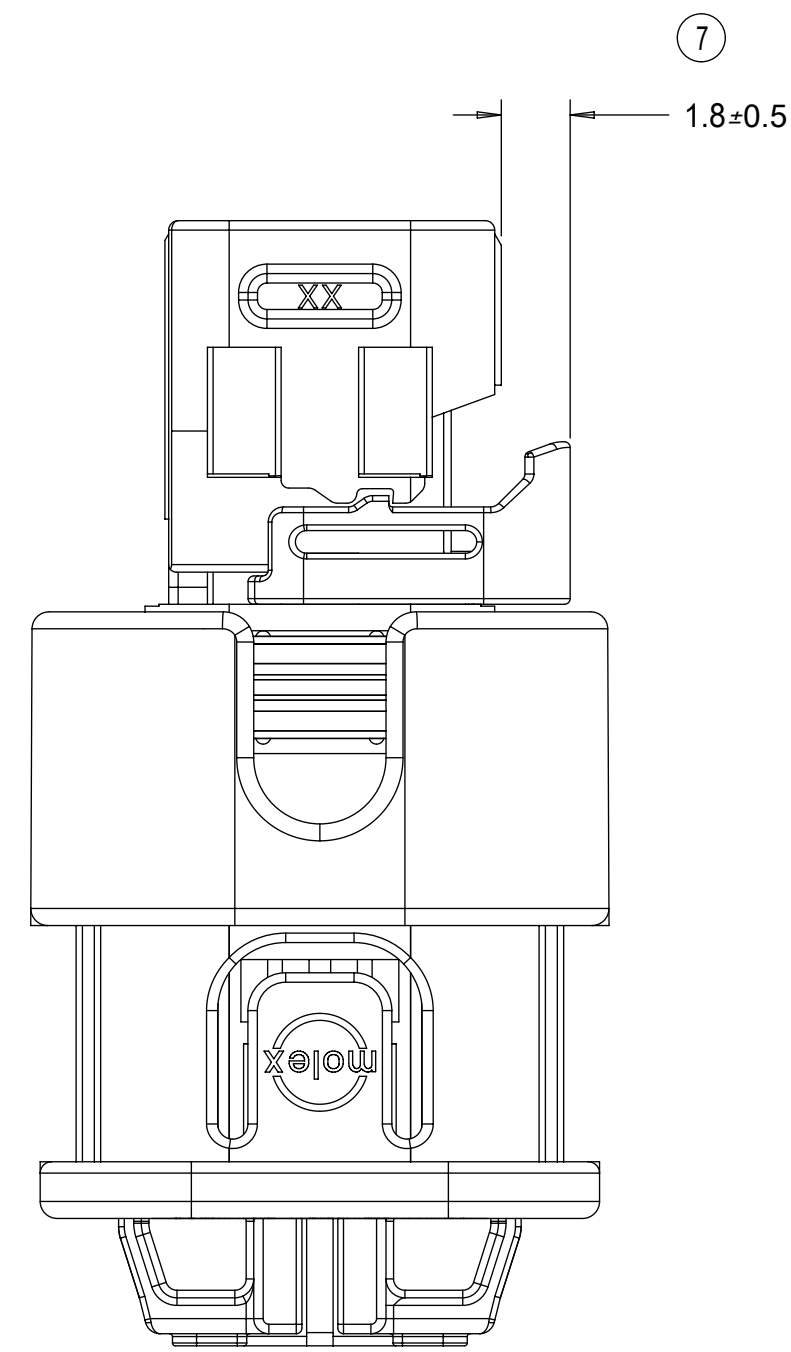
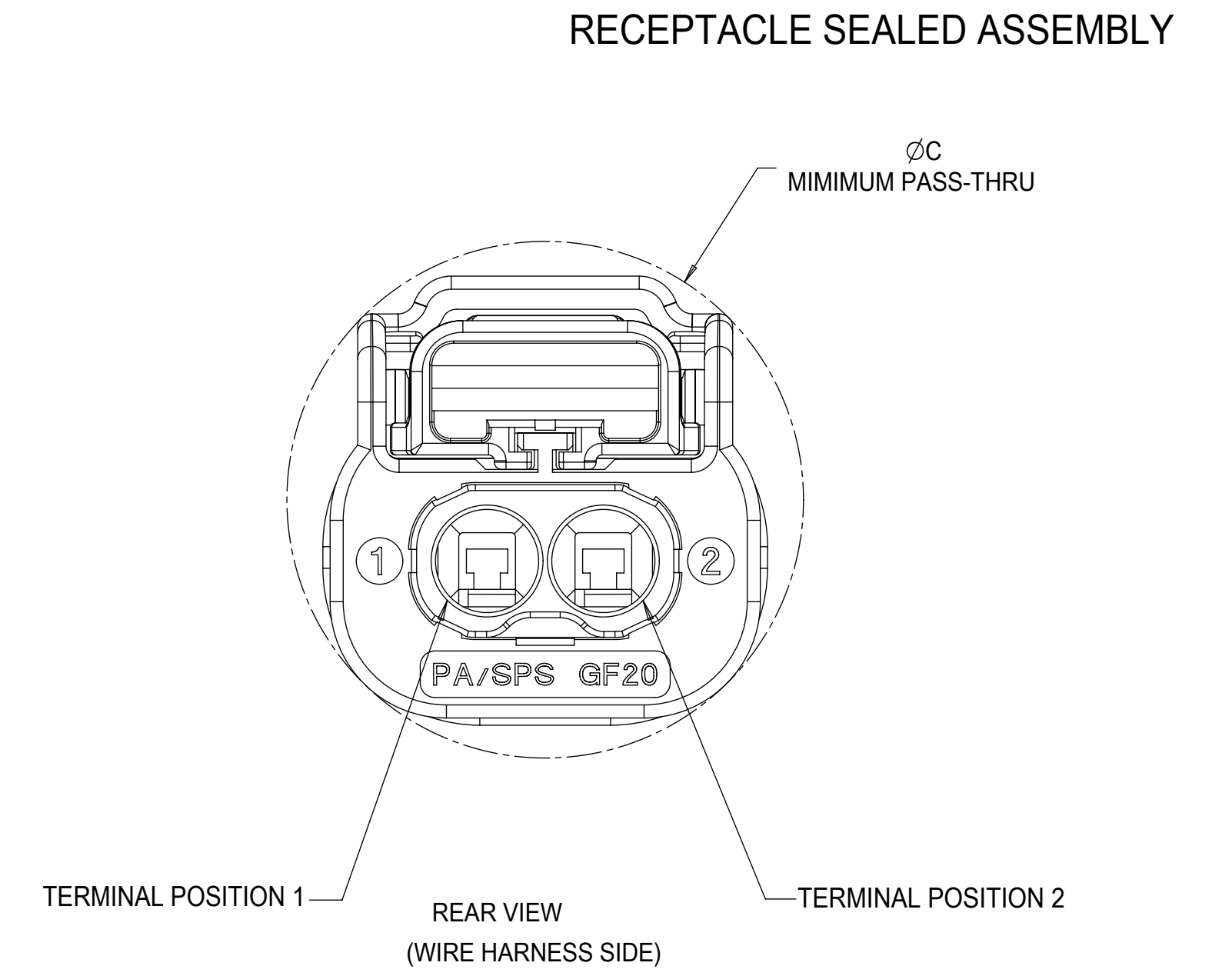
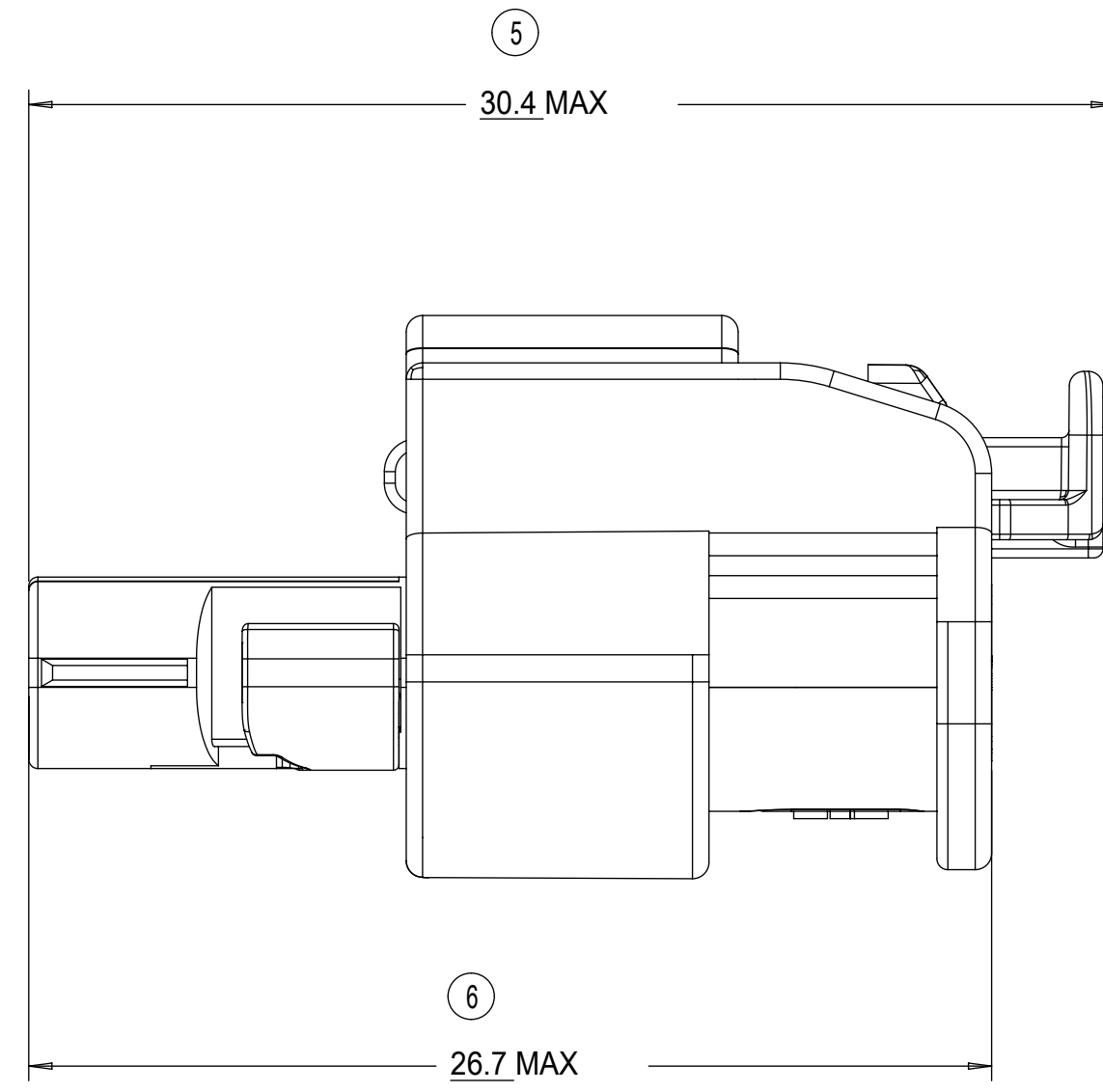
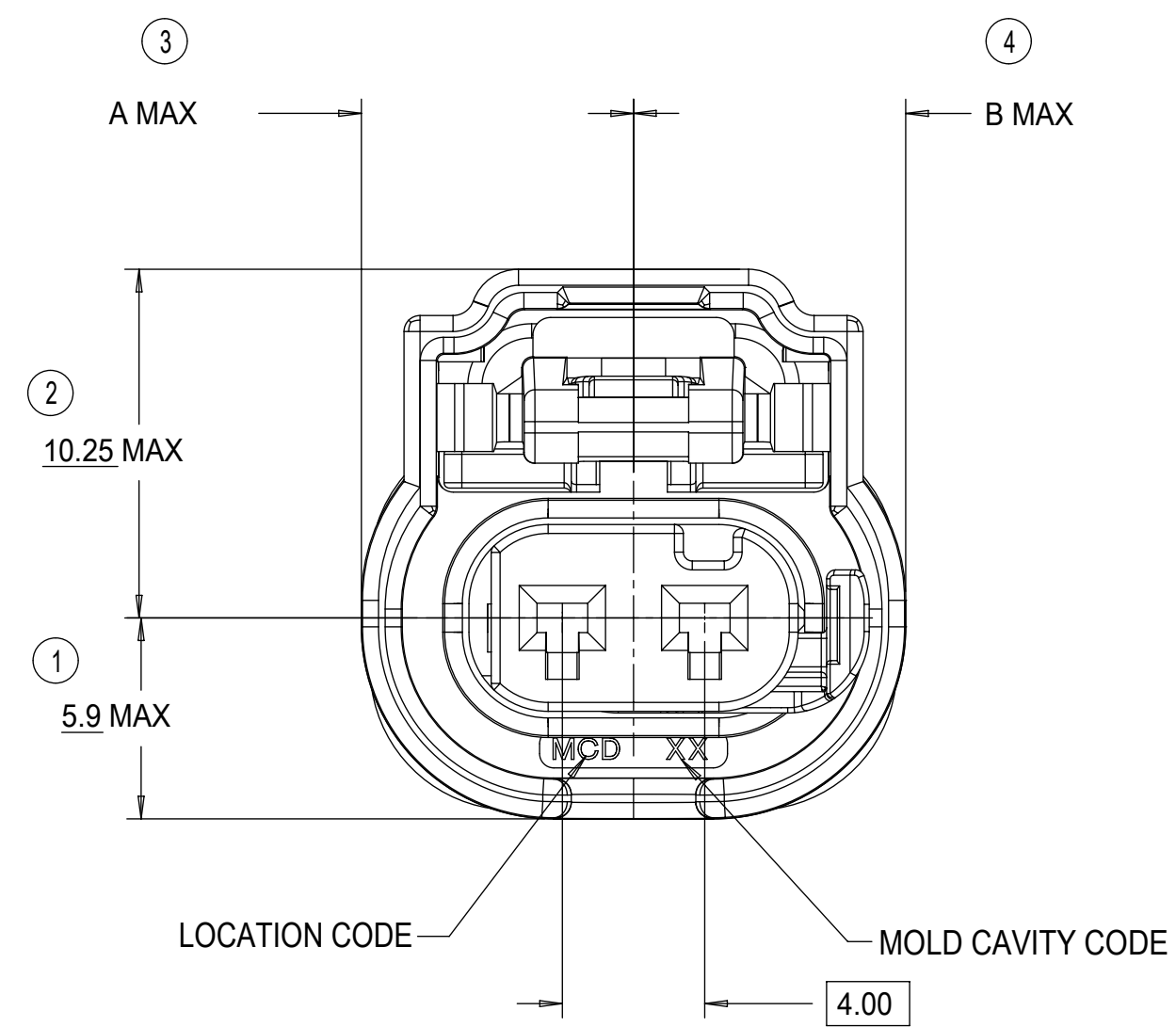
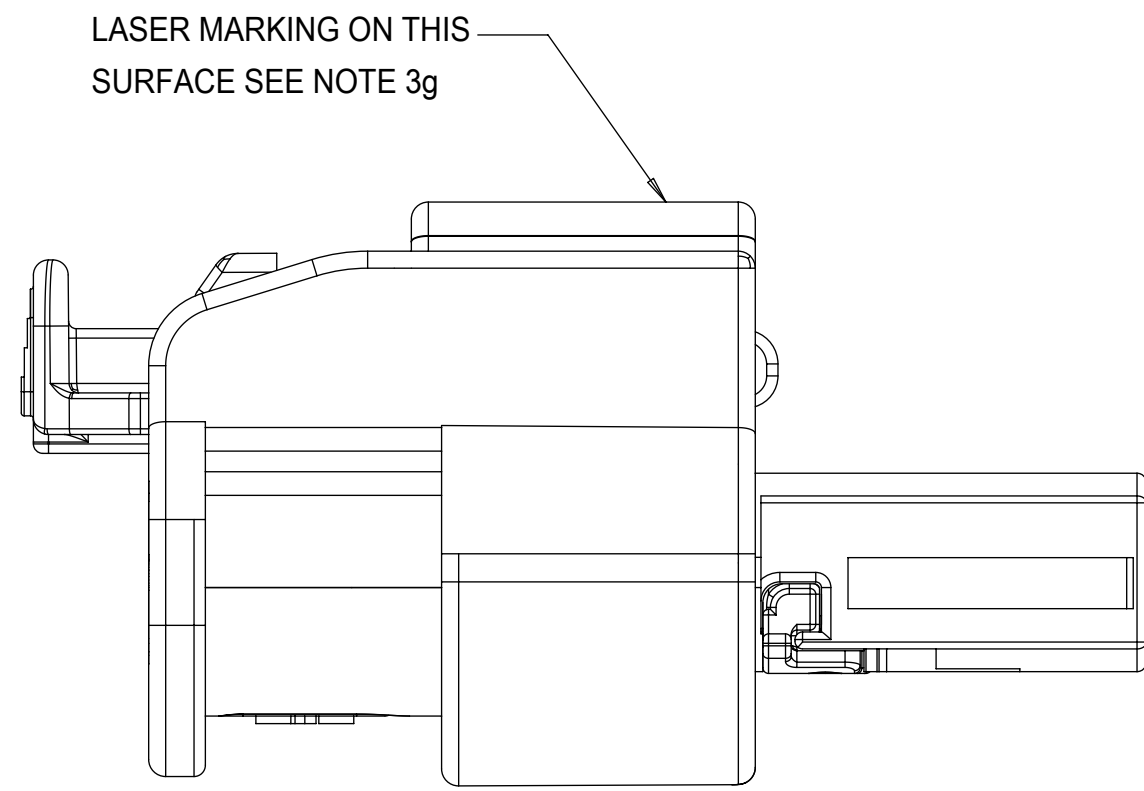


KEYING OPTION C

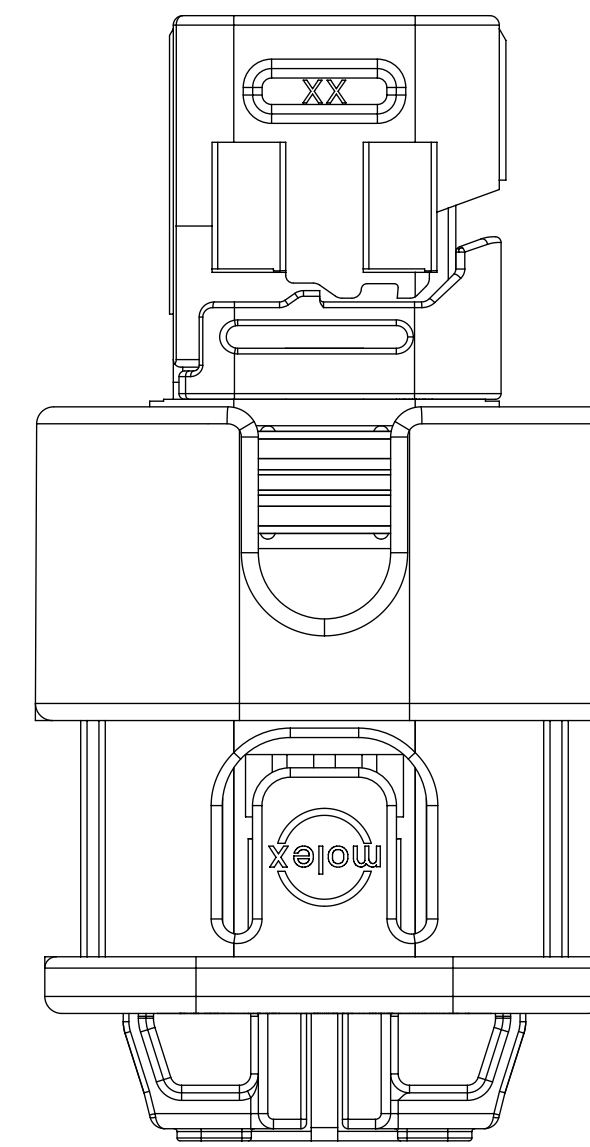


KEYING OPTION D

| | | | | | | | | | | | |
|--|---|------------|------------|--------------|------------------------|--|--|------------|------------|------------|------------|
| QUALITY SYMBOLS □ = 0 ▽ = 0 ▽ = 0 ▽ = 0 ▽ = 0 ▽ = 0 ▽ = 0 ▽ = 0 ▽ = 0 ▽ = 0 | THIS DRAWING CONTAINS INFORMATION THAT IS PROPRIETARY TO MOLEX ELECTRONIC TECHNOLOGIES, LLC AND SHOULD NOT BE USED WITHOUT WRITTEN PERMISSION | | | | | | | | | | |
| | 2019/08/05 | 2019/08/06 | 2019/08/06 | 2019/08/06 | 2019/08/06 | 2019/08/06 | 2019/08/06 | 2019/08/06 | 2019/08/06 | 2019/08/06 | 2019/08/06 |
| | GENERAL TOLERANCES (UNLESS SPECIFIED) | | | | DIMENSION UNITS | SCALE | | | | | |
| | ANGULAR TOL ± 3.0 ° | | | | mm | 5:1 | | | | | |
| | 4 PLACES ± | | | | DRWN BY | DATE | 1.2MM 1X2, 1X3 RECPT. SEALED ASSEMBLY CABLE SEAL 621905: ADDED CPA2 PNS, RE-ADDED PNS USING TERMINAL H | | | | |
| | 3 PLACES ± | | | | MVANSLAMBROU | 2012/02/15 | | | | | |
| | 2 PLACES ± 0.1 | | | | CHKD BY | DATE | PRODUCT CUSTOMER DRAWING | | | | |
| | 1 PLACE ± 0.2 | | | | | 2013/11/06 | | | | | |
| | 0 PLACES ± 0.5 | | | | APPR BY | DATE | SERIES MATERIAL NUMBER CUSTOMER 34900 SEE BOM GENERAL MARKET | | | | |
| | DRAFT WHERE APPLICABLE MUST REMAIN WITHIN DIMENSIONS | | | | GGA | 2012/12/13 | | | | | |
| DRAFT WHERE APPLICABLE MUST REMAIN WITHIN DIMENSIONS | | | | DRAWING SIZE | THIRD ANGLE PROJECTION | DOCUMENT NUMBER DOC TYPE DOC PART SHEET NUMBER SD-34900-2001 PSD 001 3 OF 7 | | | | | |
| DRAFT WHERE APPLICABLE MUST REMAIN WITHIN DIMENSIONS | | | | D | | | | | | | |



INDEPENDENT SECONDARY LOCK (ISL)
SHOWN IN THE PRE-STAGED POSITION



INDEPENDENT SECONDARY LOCK (ISL)
SHOWN IN THE FINAL-LOCK POSITION

| | | | |
|--------------------------------|------|------|-------|
| 1x3 RECEPTACLE SEALED ASSEMBLY | 10.0 | 10.0 | 20.75 |
| 1x2 RECEPTACLE SEALED ASSEMBLY | 8.0 | 8.0 | 18.75 |
| CONFIGURATION | A | B | C |

CHARTED DIMENSIONS

| | | | | |
|---|---|--|---|---|
| QUALITY SYMBOLS | THIS DRAWING CONTAINS INFORMATION THAT IS PROPRIETARY TO MOLEX ELECTRONIC TECHNOLOGIES, LLC AND SHOULD NOT BE USED WITHOUT WRITTEN PERMISSION | | | |
| | EC NO: 621905 DRWN: GELLIOTTO1 CHKD: KBORUSZEWSKI REV APPR: KBORUSZEWSKI | 2019/08/05 2019/08/06 2019/08/06 | GENERAL TOLERANCES (UNLESS SPECIFIED) ANGULAR TOL ± 3.0 ° 4 PLACES ± 3 PLACES ± 2 PLACES ± 0.1 1 PLACE ± 0.2 0 PLACES ± 0.5 DRAFT WHERE APPLICABLE MUST REMAIN WITHIN DIMENSIONS | DIMENSION UNITS: mm SCALE: 5:1 DRWN BY: MVANSLAMBROU DATE: 2012/02/15 CHKD BY: [blank] DATE: 2013/11/06 APPR BY: GGA DATE: 2012/12/13 DRAWING SIZE: D THIRD ANGLE PROJECTION |
| RELEASE STATUS: P1 RELEASE DATE: 2019/08/06 16:09:04 | 1.2MM 1X2, 1X3 RECPT. SEALED ASSEMBLY CABLE SEAL 621905: ADDED CPA2 PNS, RE-ADDED PNS USING TERMINAL H | | | PRODUCT CUSTOMER DRAWING |
| SERIES: 34900 MATERIAL NUMBER: SEE BOM CUSTOMER: GENERAL MARKET | | DOCUMENT NUMBER: SD-34900-2001 DOC TYPE: PSD DOC PART: 001 SHEET NUMBER: 4 OF 7 | | |

1X2 RECEPTACLE SEALED ASSEMBLY BOM SHEET 1

| | | | | | | | | | | | | | | | | | | | | |
|-------------------------|-------------|-----------------------|---------------------------------------|--|--|--|--|-----|-----|---|---|---|------|------|--------|--------------------------|---|---|---|---|
| KEYING OPTION E, BLACK | 34900-2223 | -40 TO 155 | 4 | | | | | | CHB | | | | E | | CPA2 | TOOLED BUT NOT VALIDATED | | 1 | 2 | 3 |
| KEYING OPTION C, BLACK | 34900-2222 | -40 TO 155 | 4 | | | | | | CHB | | | | C | | CPA2 | TOOLED BUT NOT VALIDATED | | 1 | 2 | 3 |
| KEYING OPTION B, BLACK | 34900-2221 | -40 TO 155 | 4 | | | | | | CHB | | B | | | | CPA2 | TOOLED BUT NOT VALIDATED | | 1 | 2 | 3 |
| KEYING OPTION A, BLACK | 34900-2220 | -40 TO 155 | 4 | | | | | | CHB | A | | | | | CPA2 | TOOLED BUT NOT VALIDATED | | 1 | 2 | 3 |
| KEYING OPTION E, YELLOW | 34900-2204 | -40 TO 125 | 2 | | | | | | CHY | | | | | E | CPA2 | TOOLED BUT NOT VALIDATED | | 1 | 2 | 3 |
| KEYING OPTION C, YELLOW | 34900-2203 | -40 TO 125 | 2 | | | | | | CHY | | | | C | | CPA2 | TOOLED BUT NOT VALIDATED | | 1 | 2 | 3 |
| KEYING OPTION B, YELLOW | 34900-2202 | -40 TO 125 | 2 | | | | | | CHY | | B | | | | CPA2 | TOOLED BUT NOT VALIDATED | | 1 | 2 | 3 |
| KEYING OPTION A, YELLOW | 34900-2201 | -40 TO 125 | 2 | | | | | | CHY | A | | | | | CPA2 | TOOLED BUT NOT VALIDATED | | 1 | 2 | 3 |
| KEYING OPTION E, BLACK | 34900-2123 | -40 TO 155 | 4 | | | | | | CHB | | | | E | CPA1 | | TOOLED BUT NOT VALIDATED | | 1 | 2 | 3 |
| KEYING OPTION C, BLACK | 34900-2122 | -40 TO 155 | 4 | | | | | | CHB | | | | C | CPA1 | | SALEABLE | | 1 | 2 | 3 |
| KEYING OPTION B, BLACK | 34900-2121 | -40 TO 155 | 4 | | | | | | CHB | | B | | | CPA1 | | SALEABLE | | 1 | 2 | 3 |
| KEYING OPTION A, BLACK | 34900-2120 | -40 TO 155 | 4 | | | | | | CHB | A | | | | CPA1 | | SALEABLE | | 1 | 2 | 3 |
| KEYING OPTION E, YELLOW | 34900-2104 | -40 TO 125 | 2 | | | | | | CHY | | | | E | CPA1 | | TOOLED BUT NOT VALIDATED | | 1 | 2 | 3 |
| KEYING OPTION C, YELLOW | 34900-2103 | -40 TO 125 | 2 | | | | | | CHY | | | | C | CPA1 | | SALEABLE | | 1 | 2 | 3 |
| KEYING OPTION B, YELLOW | 34900-2102 | -40 TO 125 | 2 | | | | | | CHY | | B | | | CPA1 | | SALEABLE | | 1 | 2 | 3 |
| KEYING OPTION A, YELLOW | 34900-2101 | -40 TO 125 | 2 | | | | | | CHY | A | | | | CPA1 | | SALEABLE | | 1 | 2 | 3 |
| KEYING OPTION B, YELLOW | 34900-2002 | -40 TO 125 | 2 | | | | | CHY | | | B | | | CPA1 | | SALEABLE | | 1 | 2 | 3 |
| KEYING OPTION A, YELLOW | 34900-2001 | -40 TO 125 | 2 | | | | | CHY | | | A | | | CPA1 | | SALEABLE | | 1 | 2 | 3 |
| ASSEMBLY DESCRIPTION | PART NUMBER | OPERATING TEMPERATURE | VIBRATION CLASS PER GMW3191 DEC. 2007 | | | | | | A | B | C | E | CPA1 | CPA2 | STATUS | COMMENTS | DESIGNED TO MATE WITH DEVICE CONNECTION | | | |

| DESCRIPTION | COLOR | MATERIAL | COMMENTS |
|----------------------------------|------------|--------------------------------|---------------|
| RING SEAL | BURNT RED | INHERENTLY LUBRICATED SILICONE | |
| ISL | NATURAL | SPS/NYLON GF20 | |
| CPA2 | RED | PBT GF30 | |
| CPA1 | RED | PBT GF30 | |
| TERMINAL HOUSING KEYING OPTION E | STONE GRAY | SPS/NYLON GF20 | |
| TERMINAL HOUSING KEYING OPTION C | DARK GRAY | SPS/NYLON GF20 | |
| TERMINAL HOUSING KEYING OPTION B | LT. GRAY | SPS/NYLON GF20 | |
| TERMINAL HOUSING KEYING OPTION A | BLACK | SPS/NYLON GF20 | |
| CONNECTOR HOUSING | BLACK | SPS/NYLON GF20 | UPDATED LATCH |
| CONNECTOR HOUSING | YELLOW | SPS/NYLON GF20 | UPDATED LATCH |
| CONNECTOR HOUSING | BLACK | SPS/NYLON GF20 | |
| CONNECTOR HOUSING | YELLOW | SPS/NYLON GF20 | |

BOM / APPLICABLE COMPONENTS TABLE

| ABBREVIATION | COMPONENT |
|--------------|---|
| CHY | CONNECTOR HOUSING YELLOW |
| CHB | CONNECTOR HOUSING BLACK |
| A | TERMINAL HOUSING KEY A |
| B | TERMINAL HOUSING KEY B |
| C | TERMINAL HOUSING KEY C |
| E | TERMINAL HOUSING KEY E |
| CPA1 | CPA VERSION 1 |
| CPA2 | CPA VERSION 2 |
| ISL | ISL |
| R | RING SEAL |
| 1 | USCAR INTERFACE 120-S-003-1-Z01 SEE NOTE 1f FOR WEBSITE |
| 2 | MOLEX INLINE BLADE CONNECTOR E-34899-2001 |
| 3 | USCAR INTERFACE 120-S-003-1-Z02 SEE NOTE 1f FOR WEBSITE |

| | | | | | | | | | | |
|---|------------------|--------------------|-------------------------|--|-----------------|------------------------|--|--|--|--|
| THIS DRAWING CONTAINS INFORMATION THAT IS PROPRIETARY TO MOLEX ELECTRONIC TECHNOLOGIES, LLC AND SHOULD NOT BE USED WITHOUT WRITTEN PERMISSION | | | | | | | | | | |
| QUALITY SYMBOLS | 2019/08/05 | 2019/08/06 | 2019/08/06 | GENERAL TOLERANCES (UNLESS SPECIFIED) | DIMENSION UNITS | SCALE | molex® | | | |
| ▽ = 0 | DRWN: GELLIOTTO1 | CHKD: KBORUSZEWSKI | REV: APPR: KBORUSZEWSKI | ANGULAR TOL ± 3.0 ° | mm | 2:1 | 1.2MM 1X2, 1X3 RECPT. | | | |
| ▽ = 0 | | | | 4 PLACES ± | DRWN BY | DATE | SEALED ASSEMBLY CABLE SEAL 621905: ADDED CPA2 PNS, RE-ADDED PNS USING TERMINAL H | | | |
| ▽ = 0 | | | | 3 PLACES ± | MVANSLAMBROU | 2012/02/15 | PRODUCT CUSTOMER DRAWING | | | |
| ▽ = 0 | | | | 2 PLACES ± 0.1 | CHKD BY | DATE | SERIES | | | |
| ▽ = 0 | | | | 1 PLACE ± 0.2 | | 2013/11/06 | MATERIAL NUMBER | | | |
| ▽ = 0 | | | | 0 PLACES ± 0.5 | APPR BY | DATE | CUSTOMER | | | |
| ▽ = 0 | | | | DRAFT WHERE APPLICABLE MUST REMAIN WITHIN DIMENSIONS | GGA | 2012/12/13 | GENERAL MARKET | | | |
| ▽ = 0 | | | | | DRAWING SIZE | THIRD ANGLE PROJECTION | DOCUMENT NUMBER | | | |
| | EC NO: 621905 | | | | D | | 34900 | | | |
| | | | | | | | 9999999999 | | | |
| | | | | | | | SD-34900-2001 | | | |
| | | | | | | | PSD 001 | | | |
| | | | | | | | 5 OF 7 | | | |

1X3 RECEPTACLE SEALED ASSEMBLY BOM SHEET 1

| | | | | | | | | | | | | | | | | |
|-----------------------------|-------------|-----------------------|---------------------------------------|--|-----|---|---|---|------|---|--------------------------|--------------------------|--------|----------|---|---|
| KEYING OPTION D, STONE GRAY | 34900-3223 | -40 TO 125 | 2 | | CHB | | | D | | | CPA2 | TOOLED BUT NOT VALIDATED | | 1 | 2 | 3 |
| KEYING OPTION C, DARK GRAY | 34900-3222 | -40 TO 125 | 2 | | CHB | | C | | | | CPA2 | TOOLED BUT NOT VALIDATED | | 1 | 2 | 3 |
| KEYING OPTION B, LIGHT GRAY | 34900-3221 | -40 TO 125 | 2 | | CHB | B | | | | | CPA2 | TOOLED BUT NOT VALIDATED | | 1 | 2 | 3 |
| KEYING OPTION A, BLACK | 34900-3220 | -40 TO 125 | 2 | | CHB | A | | | | | CPA2 | TOOLED BUT NOT VALIDATED | | 1 | 2 | 3 |
| KEYING OPTION D, YELLOW | 34900-3204 | -40 TO 125 | 2 | | CHY | | | D | | | CPA2 | TOOLED BUT NOT VALIDATED | | 1 | 2 | 3 |
| KEYING OPTION C, YELLOW | 34900-3203 | -40 TO 125 | 2 | | CHY | | C | | | | CPA2 | TOOLED BUT NOT VALIDATED | | 1 | 2 | 3 |
| KEYING OPTION B, YELLOW | 34900-3202 | -40 TO 125 | 2 | | CHY | B | | | | | CPA2 | TOOLED BUT NOT VALIDATED | | 1 | 2 | 3 |
| KEYING OPTION A, YELLOW | 34900-3201 | -40 TO 125 | 2 | | CHY | A | | | | | CPA2 | TOOLED BUT NOT VALIDATED | | 1 | 2 | 3 |
| KEYING OPTION D, STONE GRAY | 34900-3127 | -40 TO 125 | CONTACT MOLEX FOR INFO | | CHB | | | D | CPA1 | | SALEABLE | RESTRICTED | | 1 | 2 | 3 |
| KEYING OPTION A, BLACK | 34900-3124 | -40 TO 125 | CONTACT MOLEX FOR INFO | | CHB | | A | | CPA1 | | SALEABLE | RESTRICTED | | 1 | 2 | 3 |
| KEYING OPTION D, STONE GRAY | 34900-3123 | -40 TO 125 | 2 | | CHB | | D | | CPA1 | | TOOLED BUT NOT VALIDATED | | | 1 | 2 | 3 |
| KEYING OPTION C, DARK GRAY | 34900-3122 | -40 TO 125 | 2 | | CHB | C | | | CPA1 | | TOOLED BUT NOT VALIDATED | | | 1 | 2 | 3 |
| KEYING OPTION B, LIGHT GRAY | 34900-3121 | -40 TO 125 | 2 | | CHB | B | | | CPA1 | | SALEABLE | | | 1 | 2 | 3 |
| KEYING OPTION A, BLACK | 34900-3120 | -40 TO 125 | 2 | | CHB | A | | | CPA1 | | SALEABLE | | | 1 | 2 | 3 |
| KEYING OPTION D, YELLOW | 34900-3104 | -40 TO 125 | 2 | | CHY | | D | | CPA1 | | TOOLED BUT NOT VALIDATED | | | 1 | 2 | 3 |
| KEYING OPTION C, YELLOW | 34900-3103 | -40 TO 125 | 2 | | CHY | C | | | CPA1 | | TOOLED BUT NOT VALIDATED | | | 1 | 2 | 3 |
| KEYING OPTION B, YELLOW | 34900-3102 | -40 TO 125 | 2 | | CHY | B | | | CPA1 | | SALEABLE | | | 1 | 2 | 3 |
| KEYING OPTION A, YELLOW | 34900-3101 | -40 TO 125 | 2 | | CHY | A | | | CPA1 | | SALEABLE | | | 1 | 2 | 3 |
| ASSEMBLY DESCRIPTION | PART NUMBER | OPERATING TEMPERATURE | VIBRATION CLASS PER GMW3191 DEC. 2007 | | A | B | C | D | A | D | CPA1 | CPA2 | STATUS | COMMENTS | DESIGNED TO MATE WITH DEVICE CONNECTION | |

| | | | |
|--|------------|--------------------------------|---------------|
| RING SEAL | LIGHT BLUE | INHERENTLY LUBRICATED SILICONE | |
| ISL | NATURAL | SPS/NYLON GF20 | |
| CPA2 | RED | PBT GF30 | |
| CPA1 | RED | PBT GF30 | |
| TERMINAL HOUSING KEYING OPTION D, Alt. | STONE GRAY | SPS/NYLON GF20 | RESTRICTED |
| TERMINAL HOUSING KEYING OPTION A, Alt. | BLACK | SPS/NYLON GF20 | RESTRICTED |
| TERMINAL HOUSING KEYING OPTION D | STONE GRAY | SPS/NYLON GF20 | |
| TERMINAL HOUSING KEYING OPTION C | DARK GRAY | SPS/NYLON GF20 | |
| TERMINAL HOUSING KEYING OPTION B | LT. GRAY | SPS/NYLON GF20 | |
| TERMINAL HOUSING KEYING OPTION A | BLACK | SPS/NYLON GF20 | |
| CONNECTOR HOUSING | BLACK | SPS/NYLON GF20 | UPDATED LATCH |
| CONNECTOR HOUSING | YELLOW | SPS/NYLON GF20 | UPDATED LATCH |
| CONNECTOR HOUSING | BLACK | SPS/NYLON GF20 | |
| CONNECTOR HOUSING | YELLOW | SPS/NYLON GF20 | |
| DESCRIPTION | COLOR | MATERIAL | COMMENTS |

BOM / APPLICABLE COMPONENTS TABLE

| ABBREVIATION | COMPONENT |
|--------------|---|
| CHY | CONNECTOR HOUSING YELLOW |
| CHB | CONNECTOR HOUSING BLACK |
| A | TERMINAL HOUSING KEY A |
| B | TERMINAL HOUSING KEY B |
| C | TERMINAL HOUSING KEY C |
| D | TERMINAL HOUSING KEY D |
| CPA1 | CPA VERSION 1 |
| CPA2 | CPA VERSION 2 |
| ISL | ISL |
| R | RING SEAL |
| 1 | USCAR INTERFACE 120-S-002-1-Z01 SEE NOTE 1f FOR WEBSITE |
| 2 | MOLEX INLINE BLADE CONNECTOR E-34899-2001 |
| 3 | USCAR INTERFACE 120-S-002-1-Z02 SEE NOTE 1f FOR WEBSITE |

| | | | |
|---|--|--|--|
| THIS DRAWING CONTAINS INFORMATION THAT IS PROPRIETARY TO MOLEX ELECTRONIC TECHNOLOGIES, LLC AND SHOULD NOT BE USED WITHOUT WRITTEN PERMISSION | | | |
| QUALITY SYMBOLS | 2019/08/05 2019/08/06 2019/08/06 | GENERAL TOLERANCES (UNLESS SPECIFIED) | DIMENSION UNITS SCALE |
| ▽ = 0 | DRWN: GELLIOTTO1 | ANGULAR TOL ± 3.0 ° | mm 5:1 |
| ▽ = 0 | CHKD: KBORUSZEWSKI | 4 PLACES ± | DRWN BY DATE |
| ▽ = 0 | REV APPR: KBORUSZEWSKI | 3 PLACES ± | MVANSLAMBROU 2012/02/15 |
| ▽ = 0 | | 2 PLACES ± 0.1 | CHKD BY DATE |
| ▽ = 0 | | 1 PLACE ± 0.2 | 2013/11/06 |
| ▽ = 0 | | 0 PLACES ± 0.5 | APPR BY DATE |
| ▽ = 0 | | DRAFT WHERE APPLICABLE MUST REMAIN WITHIN DIMENSIONS | GGA 2012/12/13 |
| ▽ = 0 | | | DRAWING SIZE THIRD ANGLE PROJECTION |
| | EC NO: 621905 | | SERIES MATERIAL NUMBER CUSTOMER |
| | | | 34900 9999999999 GENERAL MARKET |
| | | | DOCUMENT NUMBER DOC TYPE DOC PART SHEET NUMBER |
| | | | SD-34900-2001 PSD 001 6 OF 7 |


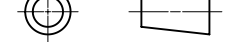
OBSOLETE PART NUMBERS

| | |
|-----------------------|----------|
| 34900-2023 | OBSOLETE |
| 34900-2022 | OBSOLETE |
| 34900-2021 | OBSOLETE |
| 34900-2020 | OBSOLETE |
| 34900-2004 | OBSOLETE |
| 34900-2003 | OBSOLETE |
| ASSEMBLY PART NUMBERS | STATUS |

1X2

| | |
|-----------------------|----------|
| 34900-3023 | OBSOLETE |
| 34900-3022 | OBSOLETE |
| 34900-3021 | OBSOLETE |
| 34900-3020 | OBSOLETE |
| 34900-3004 | OBSOLETE |
| 34900-3003 | OBSOLETE |
| 34900-3002 | OBSOLETE |
| 34900-3001 | OBSOLETE |
| ASSEMBLY PART NUMBERS | STATUS |

1X3

| | | | | | | | | | |
|---|---|---|--------|-----------------|--|--|--------------|--|--|
| THIS DRAWING CONTAINS INFORMATION THAT IS PROPRIETARY TO MOLEX ELECTRONIC TECHNOLOGIES, LLC AND SHOULD NOT BE USED WITHOUT WRITTEN PERMISSION | | | | | | | | | |
| DIMENSION UNITS | SCALE | Material: | | |  | | | | |
| mm | 1:1 | Heat treat: | | | | | | | |
| GENERAL TOLERANCES (UNLESS SPECIFIED) | | Finish: | | | 1.2MM 1X2, 1X3 RECPT. SEALED ASSEMBLY CABLE SEAL 621905: ADDED CPA2 PNS, RE-ADDED PNS USING TERMINAL H | | | | |
| ANGULAR TOL ± 3.0 ° | | CURRENT REV DESC: | | | | | | | |
| 4 PLACES | ± | EC NO: 621905 DRWN: GELLIOTT01 2019/08/05 CHK'D: KBORUSZEWSKI 2019/08/06 APPR: KBORUSZEWSKI 2019/08/06 ORIG DRWN BY: MVANSLAMBROU 2012/02/15 | | | PRODUCT CUSTOMER DRAWING | | | | |
| 3 PLACES | ± | | | | DOCUMENT NUMBER | | | | |
| 2 PLACES | ± 0.1 | | | | SD-34900-2001 | | | | |
| 1 PLACE | ± 0.2 | | | | DOC TYPE DOC PART REVISION | | | | |
| 0 PLACES | ± 0.5 | | | | PSD 001 C3 | | | | |
| TOOL NUMBER | THIRD ANGLE PROJECTION | DRAWING | SERIES | MATERIAL NUMBER | CUSTOMER | | SHEET NUMBER | | |
| |  | D-SIZE | 34900 | | GENERAL MARKET | | 7 OF 7 | | |