

MATERIALS AND FINISHES

OUTER CONTACT: BRASS
PLATED NICKEL OR GOLD

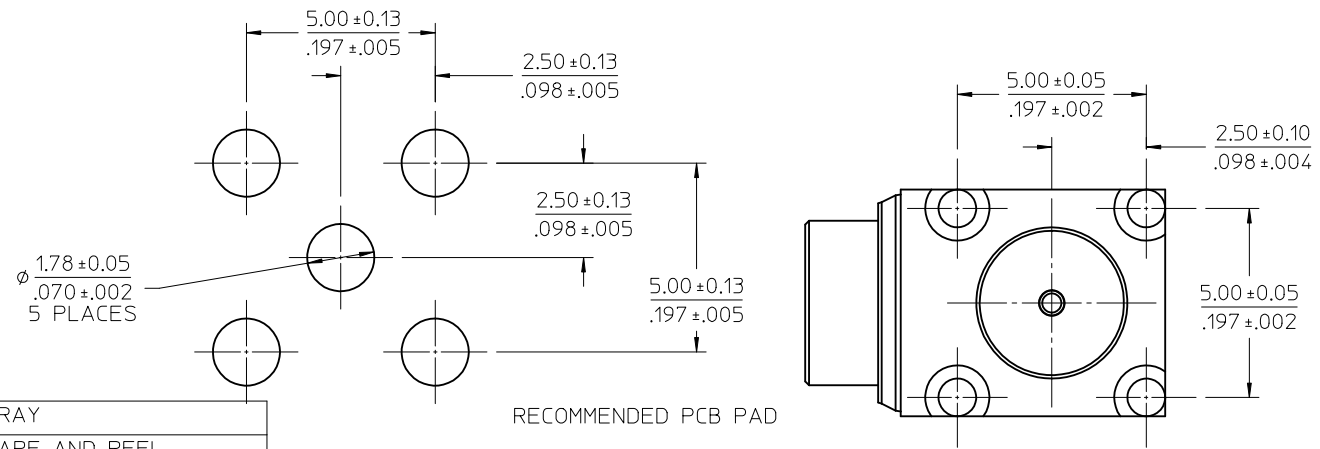
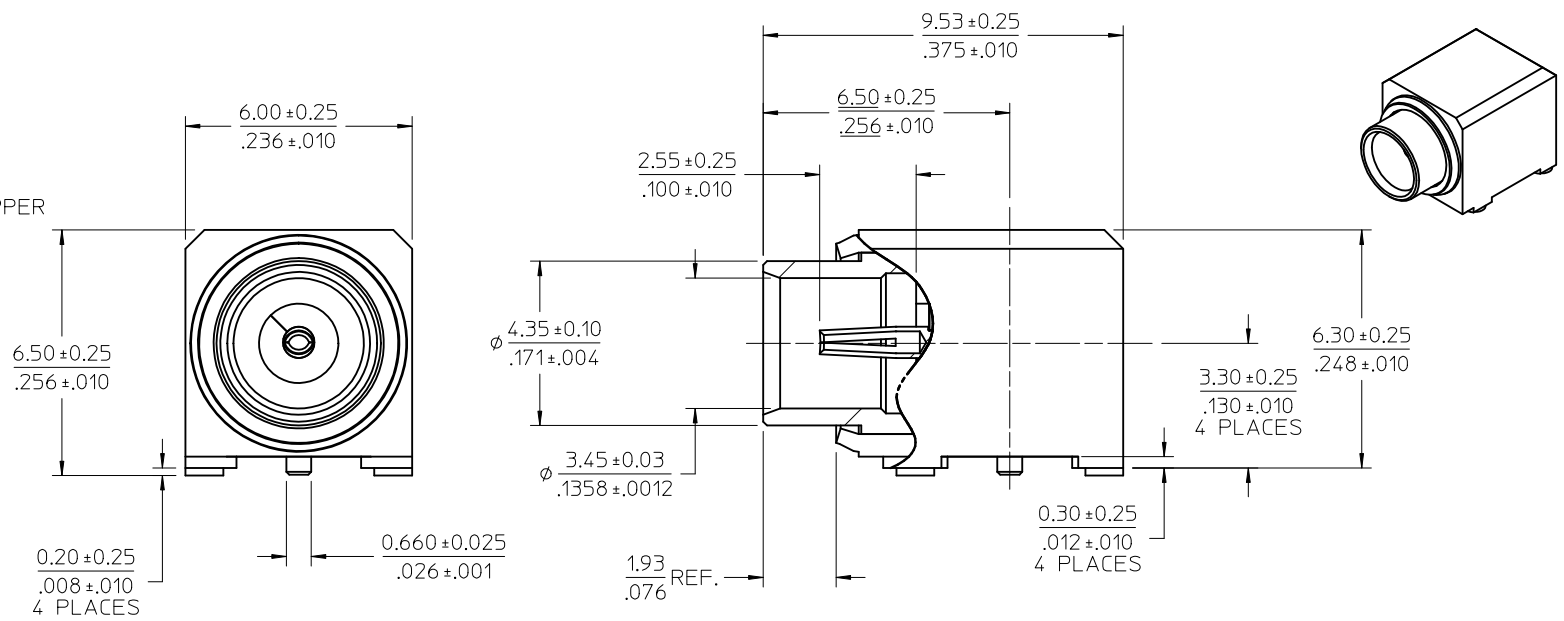
CENTER CONTACT: BERYLLIUM COPPER
PLATED GOLD

INSULATOR
TEFLON & ULTEM

HOUSING
ZINC ALLOY,
PLATED TRI-M OR GOLD

SPECIFICATION
PS-73598-0132

PACKAGING
TRAY OR TAPE AND REEL



73415-4335 (GOLD FLASH)	TRAY
73415-4334 (GOLD FLASH)	TAPE AND REEL
73415-4333 (GOLD PLATING)	TAPE AND REEL
73415-4332 (GOLD PLATING)	TRAY
73415-4331 (Ni/TRI-M)	TAPE AND REEL
73415-4330 (Ni/TRI-M)	TRAY
PART NUMBER	PACKAGING

RECOMMENDED PCB PAD

ADDED P/N: 73415-4334/-4335 PER PDR110912	EC NO: URF2012-0192	DRWNLIN 2011/10/11
CHKD: APPR:MHUANG	2011/10/25	DESCRIPTION
REV: A6		

QUALITY SYMBOLS	GENERAL TOLERANCES (UNLESS SPECIFIED)
▽=0	mm INCH
▽=0	4 PLACES ± --- ± ---
	3 PLACES ± --- ± ---
	2 PLACES ± --- ± ---
	1 PLACE ± --- ± ---
	ANGULAR ± 2 °

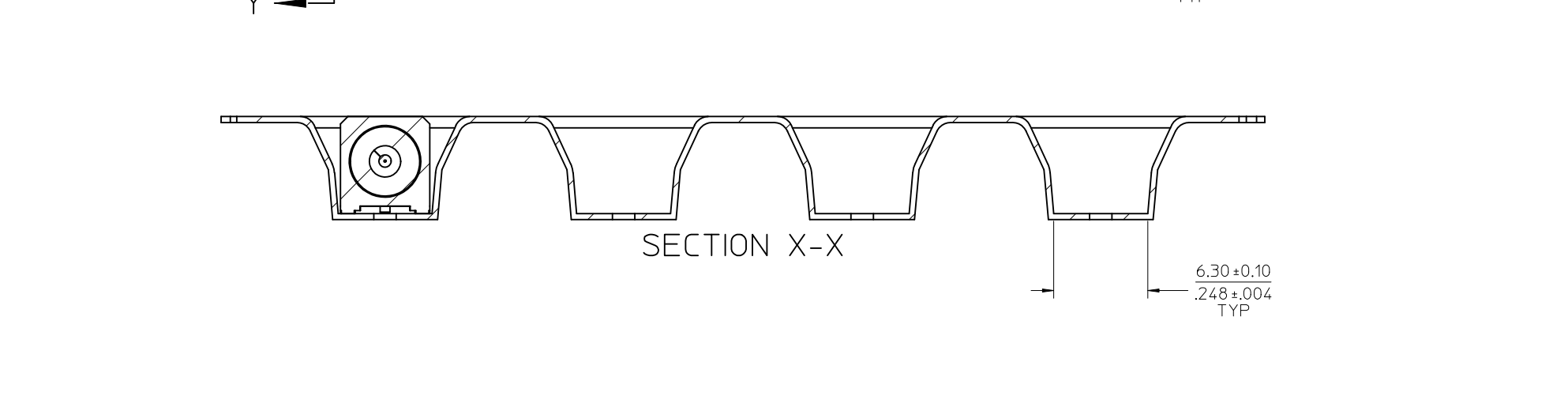
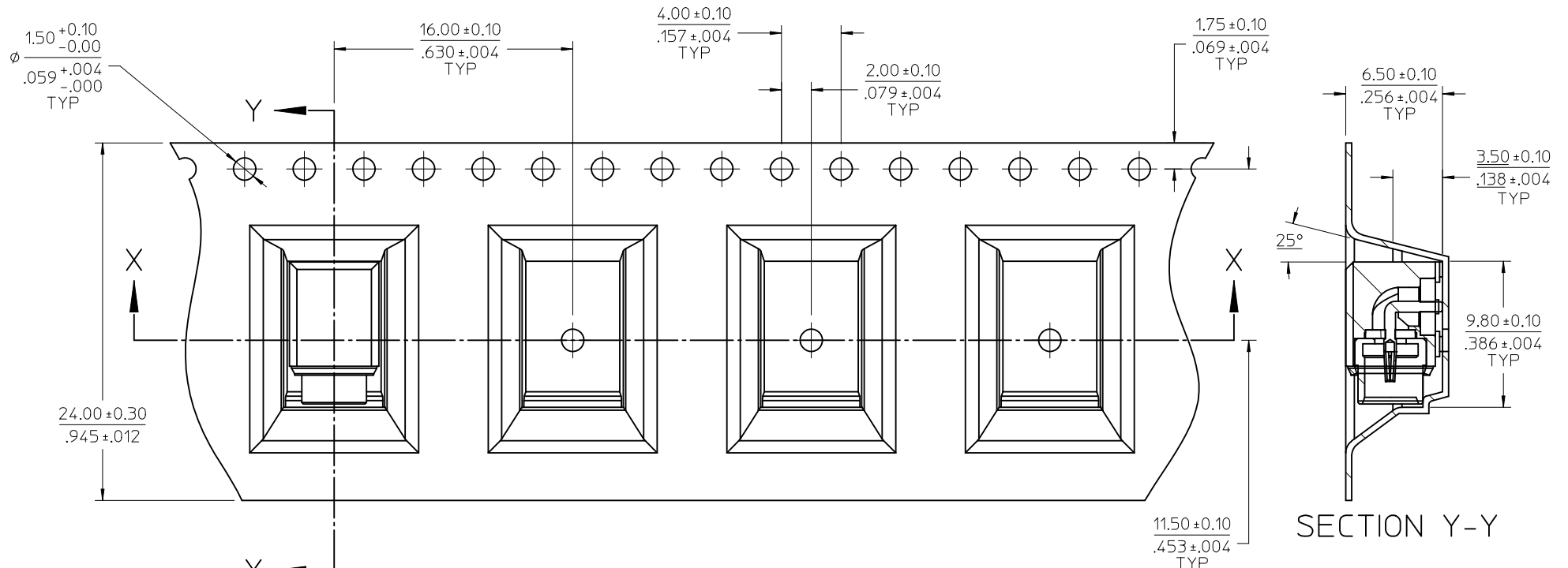
DRAWN BY	DATE
SSS	2004/04/30
CHECKED BY	DATE
TEF	2004/04/30
APPROVED BY	DATE
SSS	2004/04/30
MATERIAL NO.	DOCUMENT NO.
SEE TABLE	SD-73415-433

DIMENSION STYLE	SCALE	DESIGN UNITS	THIRD ANGLE PROJECTION
MM/IN		METRIC	
TITLE	MCOLEX INCORPORATED		
SD-73415-433			

MCOLEX INCORPORATED		SHEET NO.
SD-73415-433		1 OF 2
THIS DRAWING CONTAINS INFORMATION THAT IS PROPRIETARY TO MOLEX INCORPORATED AND SHOULD NOT BE USED WITHOUT WRITTEN PERMISSION		

13 12 11 10 9 8 7 6 5 4 3 2 1

J I H G F E D C B A



CHG: SEE SHEET 1 EC NO: URF2012-0192 DRAWN: DRWNLIN 2011/10/11 CHKD: APPR: MHIUANG 2011/10/25	DESCRIPTION REV	QUALITY SYMBOLS ▽=0 ▽=0	GENERAL TOLERANCES (UNLESS SPECIFIED)		DIMENSION STYLE MM/IN		SCALE	DESIGN UNITS	THIRD ANGLE PROJECTION	
			mm	INCH	DRAWN BY	DATE	TITLE	METRIC		
A6	REV	▽=0 ▽=0	4 PLACES	± ---	SSS	2004/04/30	MCOLEX	MOLEX INCORPORATED	SHEET NO. 2 OF 2	
			3 PLACES	± ---	CHECKED BY	DATE				
			2 PLACES	± ---	TEF	2004/04/30				
			1 PLACE	± ---	APPROVED BY	DATE				
			ANGULAR ± 2 °		SSS	2004/04/30				
			DRAFT WHERE APPLICABLE MUST REMAIN WITHIN DIMENSIONS		SEE TABLE		DOCUMENT NO.	SD-73415-433		
			THIS DRAWING CONTAINS INFORMATION THAT IS PROPRIETARY TO MOLEX INCORPORATED AND SHOULD NOT BE USED WITHOUT WRITTEN PERMISSION							

MATERIALS AND FINISHES

OUTER CONTACT: BRASS
PLATED NICKEL OR GOLD

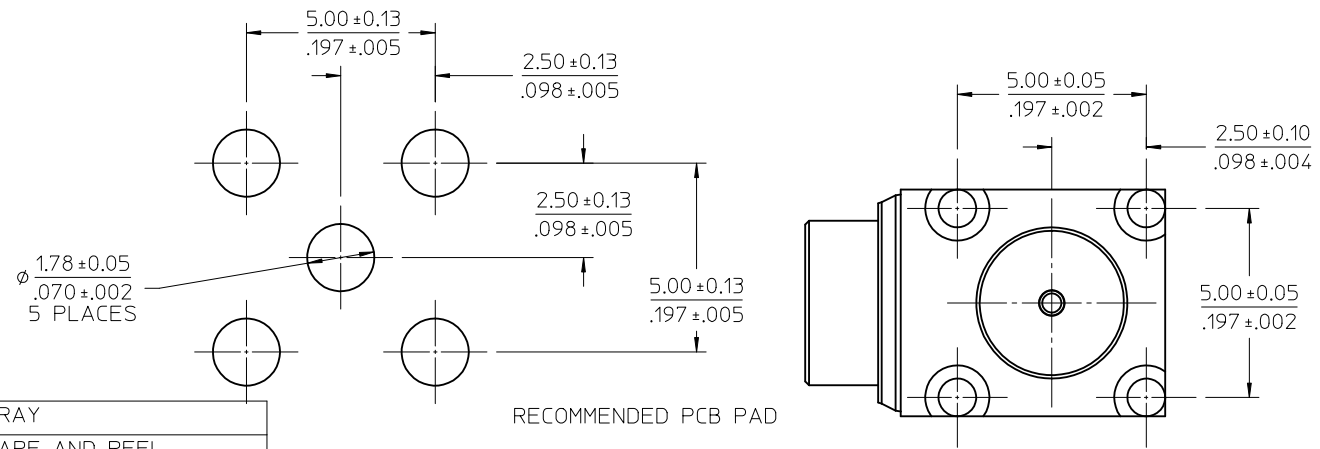
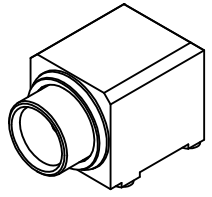
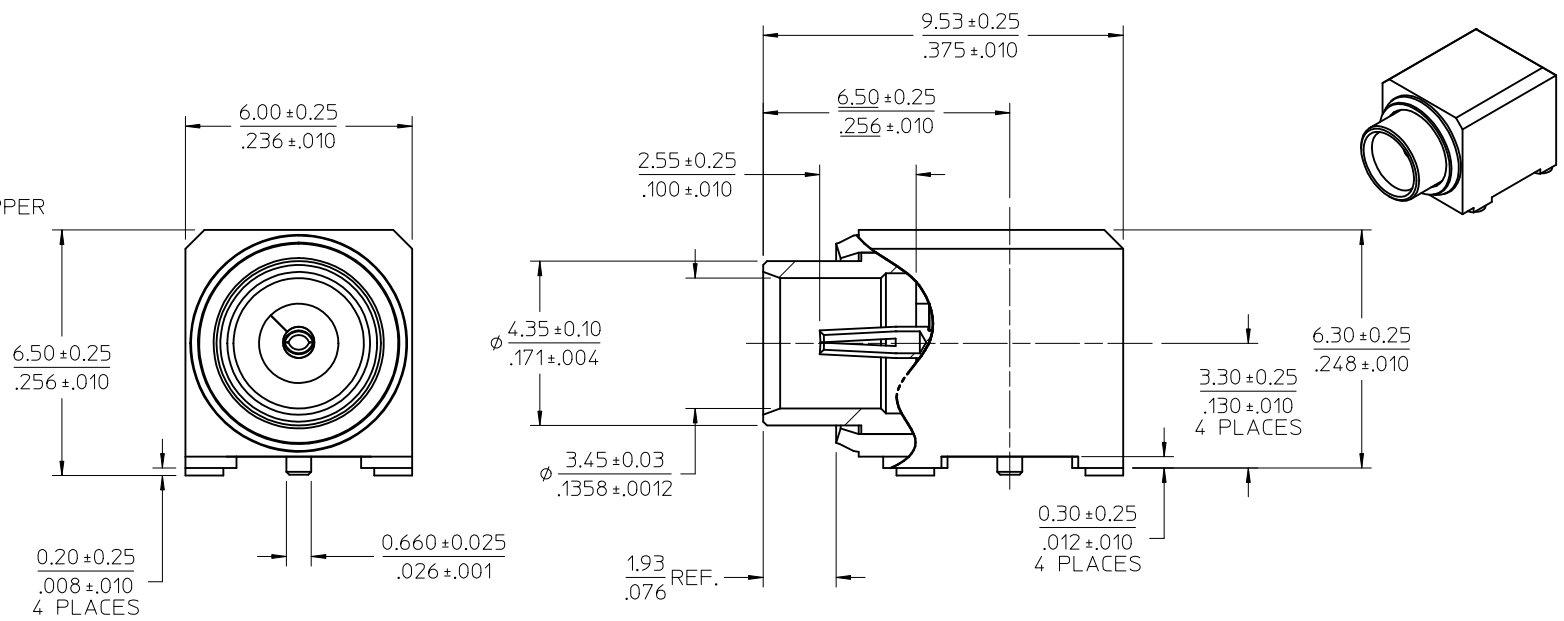
CENTER CONTACT: BERYLLIUM COPPER
PLATED GOLD

INSULATOR
TEFLON & ULTEM

HOUSING
ZINC ALLOY,
PLATED TRI-M OR GOLD

SPECIFICATION
PS-73598-0132

PACKAGING
TRAY OR TAPE AND REEL



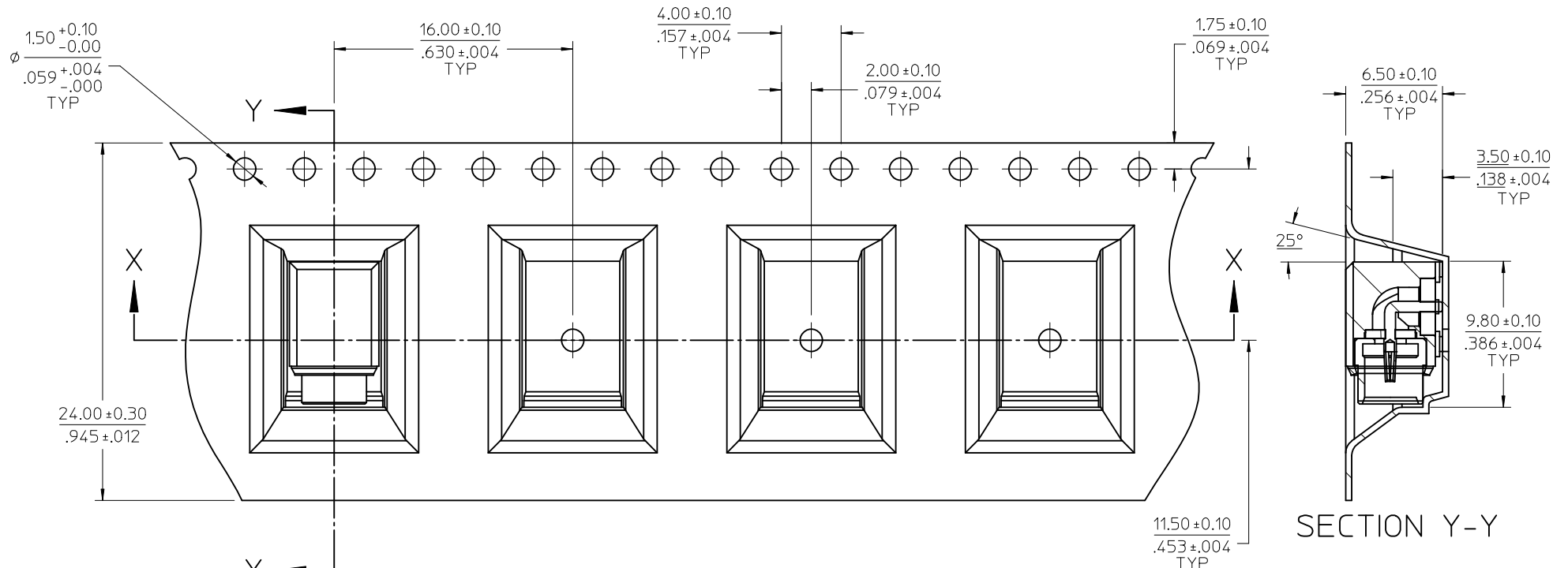
RECOMMENDED PCB PAD

73415-4335 (GOLD FLASH)	TRAY
73415-4334 (GOLD FLASH)	TAPE AND REEL
73415-4333 (GOLD PLATING)	TAPE AND REEL
73415-4332 (GOLD PLATING)	TRAY
73415-4331 (Ni/TRI-M)	TAPE AND REEL
73415-4330 (Ni/TRI-M)	TRAY
PART NUMBER	PACKAGING

A6 ADD'D P/N: 73415-4334/-4335 PER PDR110912 IEC NO: URF2012-0192 DRWNLIN 2011/10/11 CHKD: APPR:MHUANG 2011/10/25 DESCRIPTION	QUALITY SYMBOLS ▽=0 ▽=0	GENERAL TOLERANCES (UNLESS SPECIFIED) mm INCH 4 PLACES ± --- ± --- 3 PLACES ± --- ± --- 2 PLACES ± --- ± --- 1 PLACE ± --- ± --- ANGULAR ± 2 °	DIMENSION STYLE MM/IN DRAWN BY DATE SSS 2004/04/30 CHECKED BY DATE TEF 2004/04/30 APPROVED BY DATE SSS 2004/04/30	SCALE DESIGN UNITS METRIC THIRD ANGLE PROJECTION	TITLE MCX JACK, R/A SMT TYPE 75 OHMS MCX-J/RA/PCB	MATERIAL NO. SEE TABLE	DOCUMENT NO. SD-73415-433	SHEET NO. 1 OF 2
	DRAFT WHERE APPLICABLE MUST REMAIN WITHIN DIMENSIONS		THIS DRAWING CONTAINS INFORMATION THAT IS PROPRIETARY TO MOLEX INCORPORATED AND SHOULD NOT BE USED WITHOUT WRITTEN PERMISSION					

13 12 11 10 9 8 7 6 5 4 3 2 1

J I H G F E D C B A



SECTION X-X

SECTION Y-Y

CHG: SEE SHEET 1 EC NO: URF2012-0192 DRWNLIN 2011/10/11 CHKD: APPR: MHIUANG 2011/10/25 DESCRIPTION	QUALITY SYMBOLS	GENERAL TOLERANCES (UNLESS SPECIFIED)	DIMENSION STYLE	SCALE	DESIGN UNITS	THIRD ANGLE PROJECTION	
	$\nabla=0$ $\nabla=0$	mm INCH 4 PLACES \pm --- \pm --- 3 PLACES \pm --- \pm --- 2 PLACES \pm --- \pm --- 1 PLACE \pm --- \pm --- ANGULAR $\pm 2^\circ$	MM/IN	DRAWN BY DATE SSS 2004/04/30 CHECKED BY DATE TEF 2004/04/30 APPROVED BY DATE SSS 2004/04/30	METRIC	TITLE MCX JACK, R/A SMT TYPE 75 OHMS MCX-J/RA/PCB	SHEET NO. 2 OF 2
		DRAFT WHERE APPLICABLE MUST REMAIN WITHIN DIMENSIONS	SEE TABLE	MATERIAL NO. SEE TABLE	DOCUMENT NO. SD-73415-433	MOLEX INCORPORATED	
	A6			SIZE C	THIS DRAWING CONTAINS INFORMATION THAT IS PROPRIETARY TO MOLEX INCORPORATED AND SHOULD NOT BE USED WITHOUT WRITTEN PERMISSION		