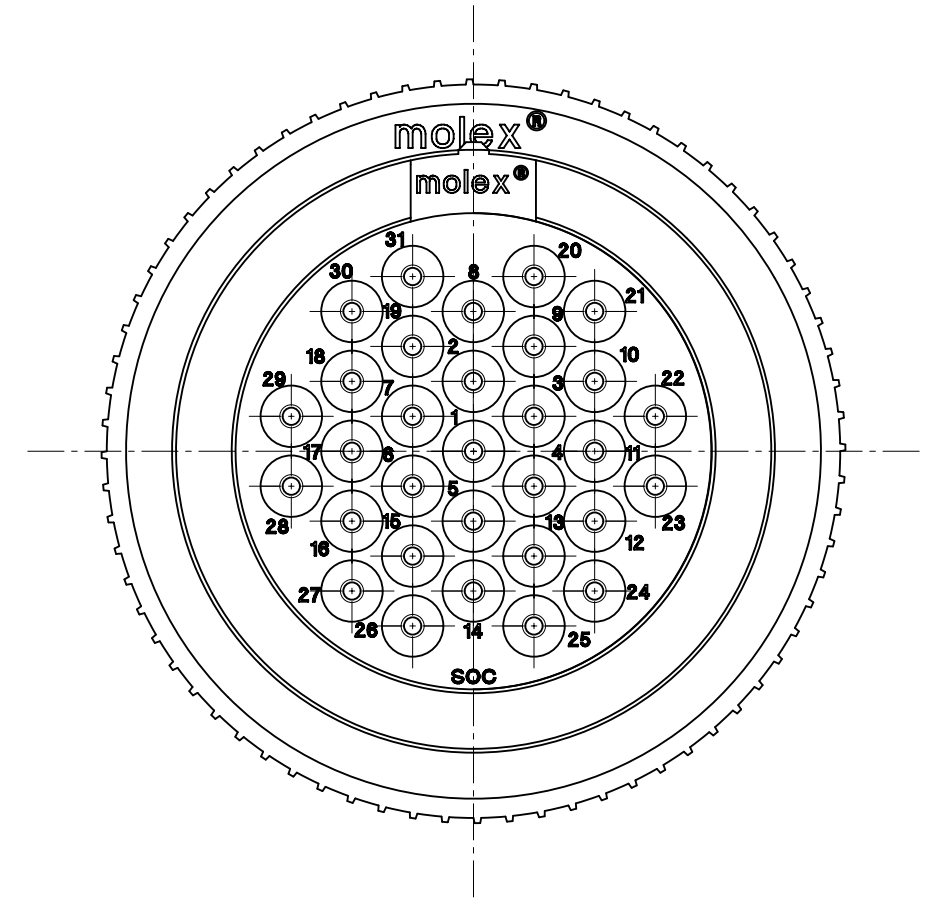
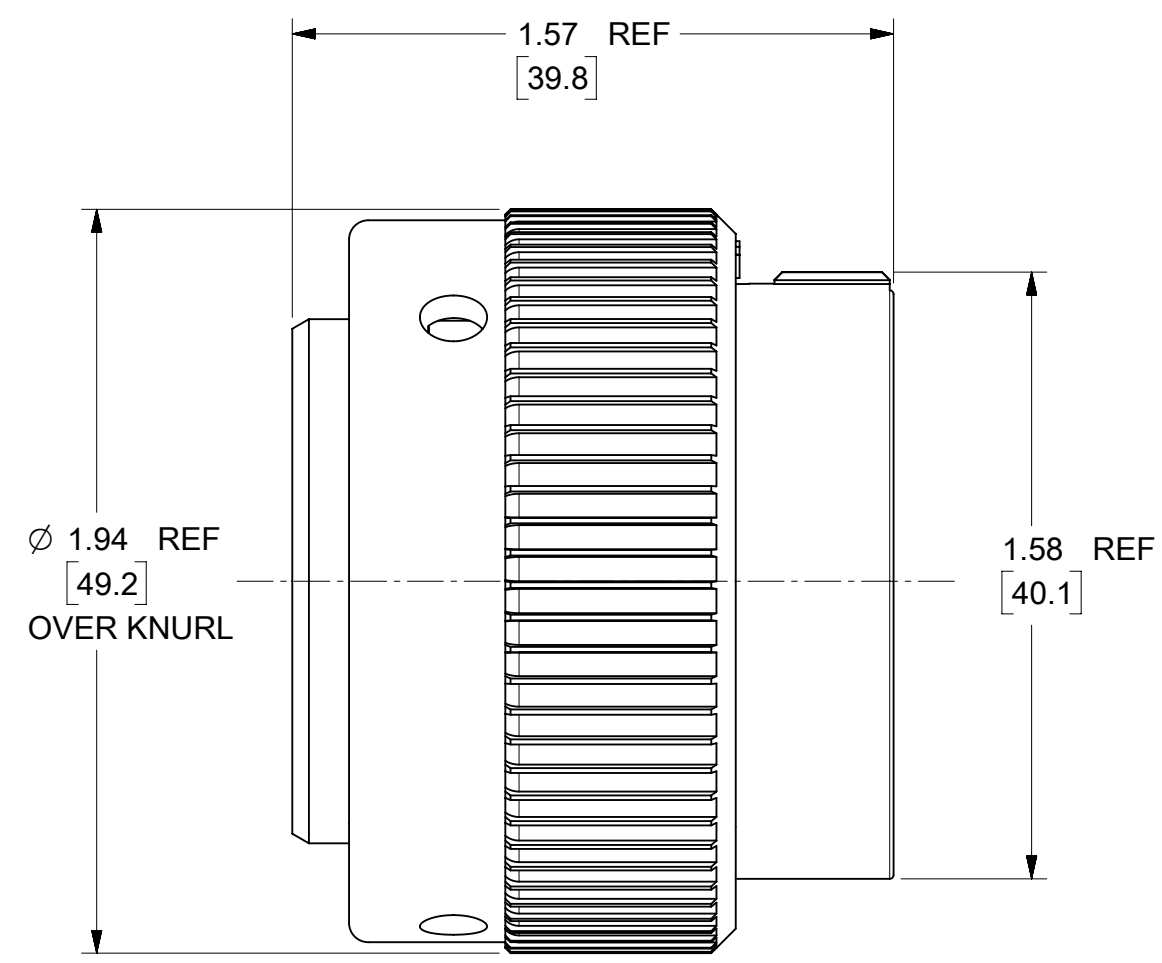
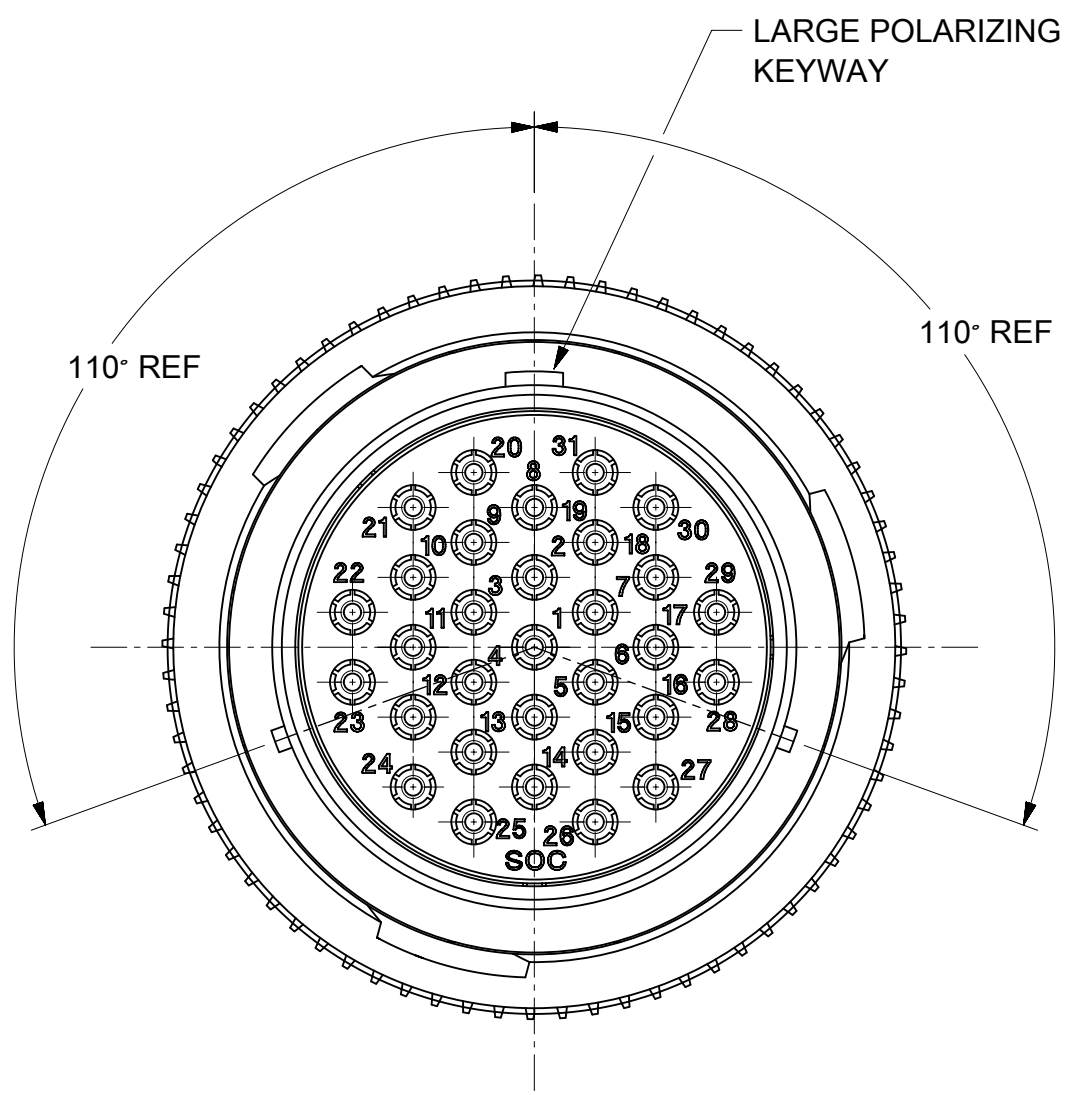
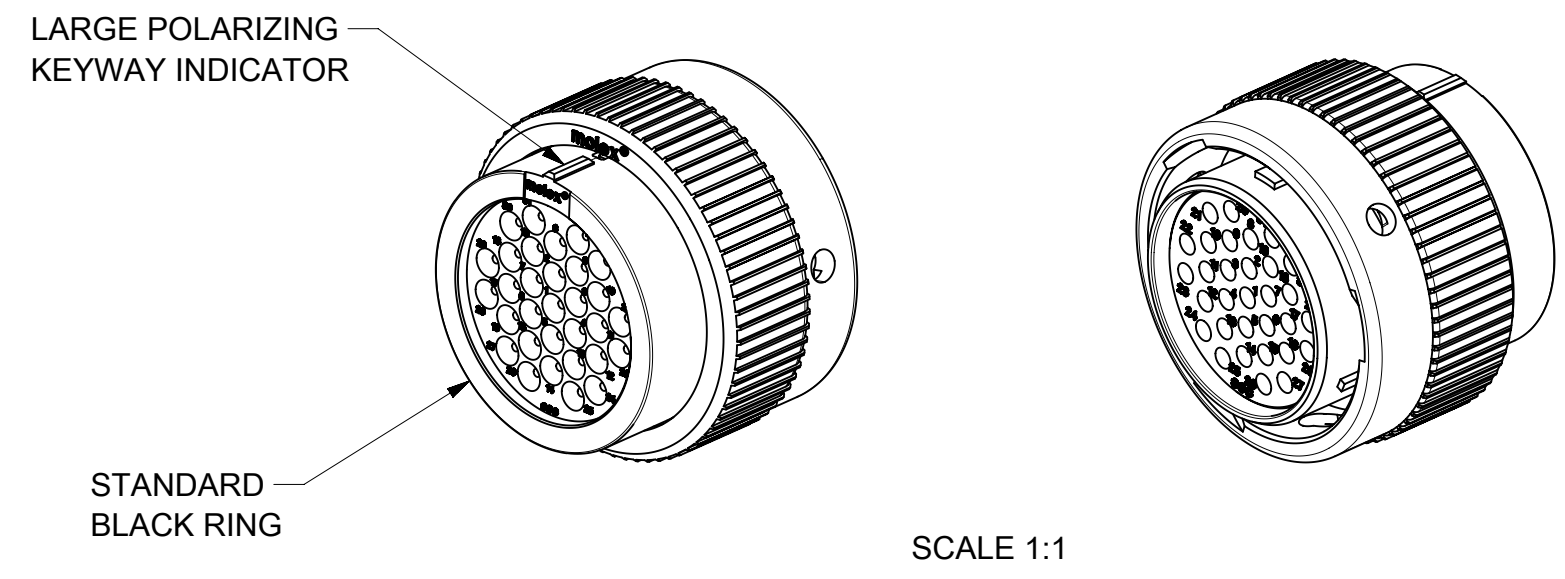


MATERIAL NUMBER	WIRE AWG	INSULATION DIA O.D.	RING
845100004	18 - 14	.053 - .134 [1.35 - 3.40]	STANDARD BLACK

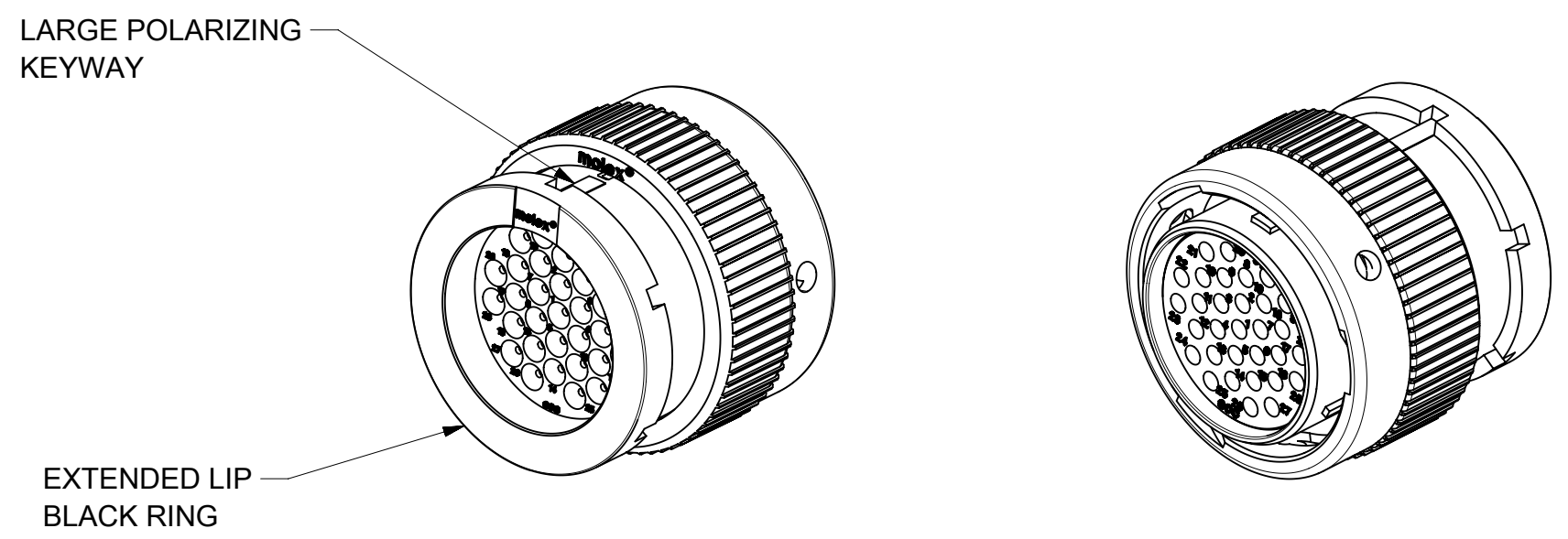


WIRE ENTRY VIEW

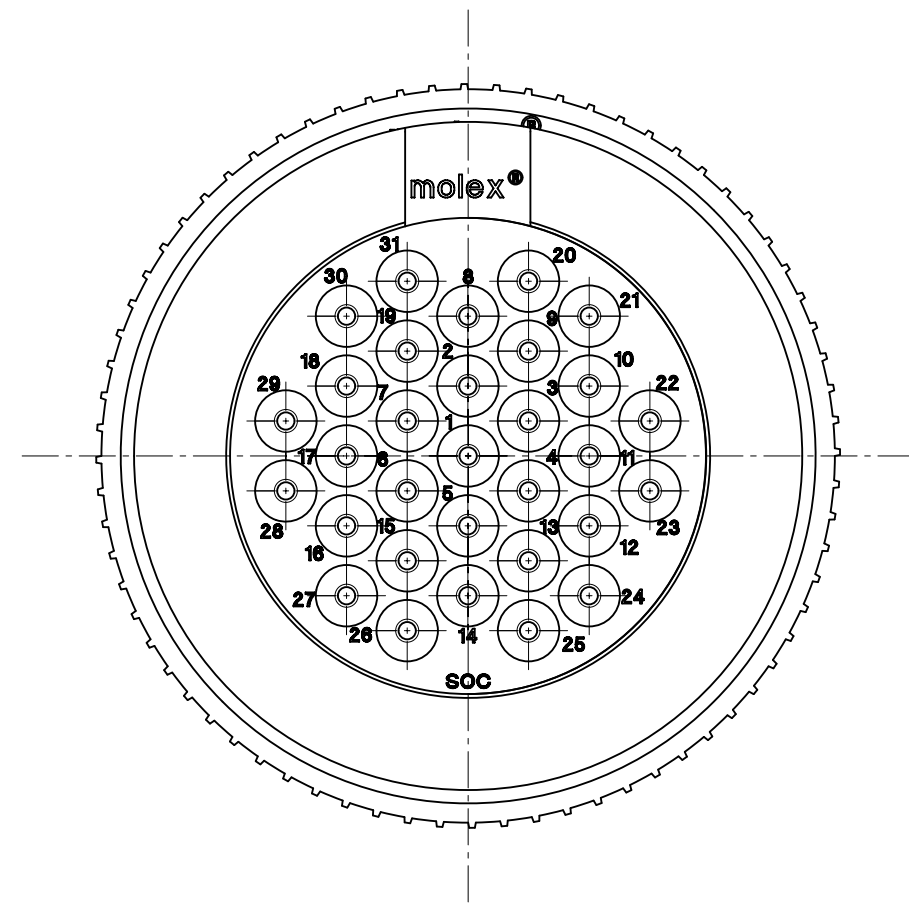
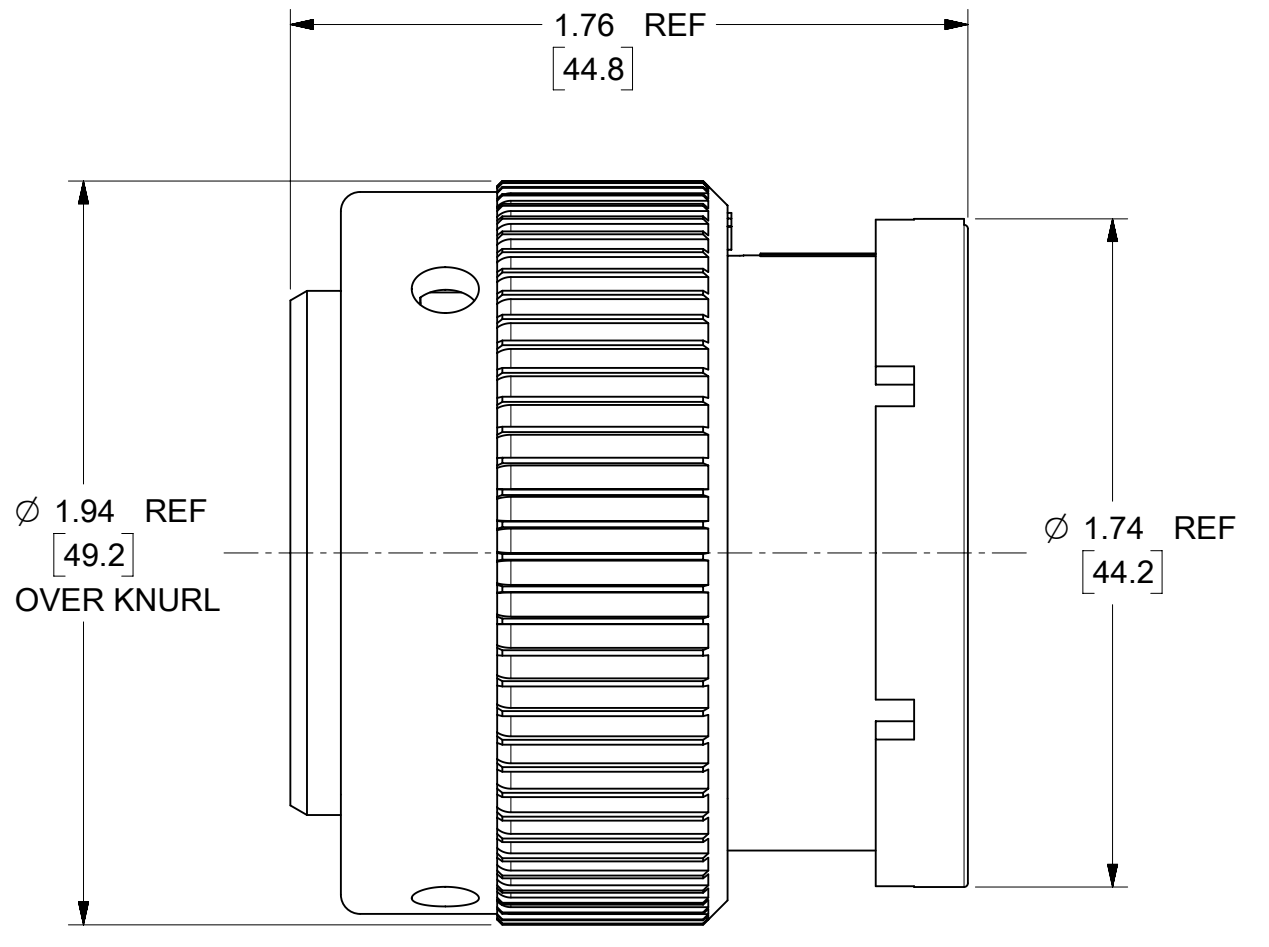
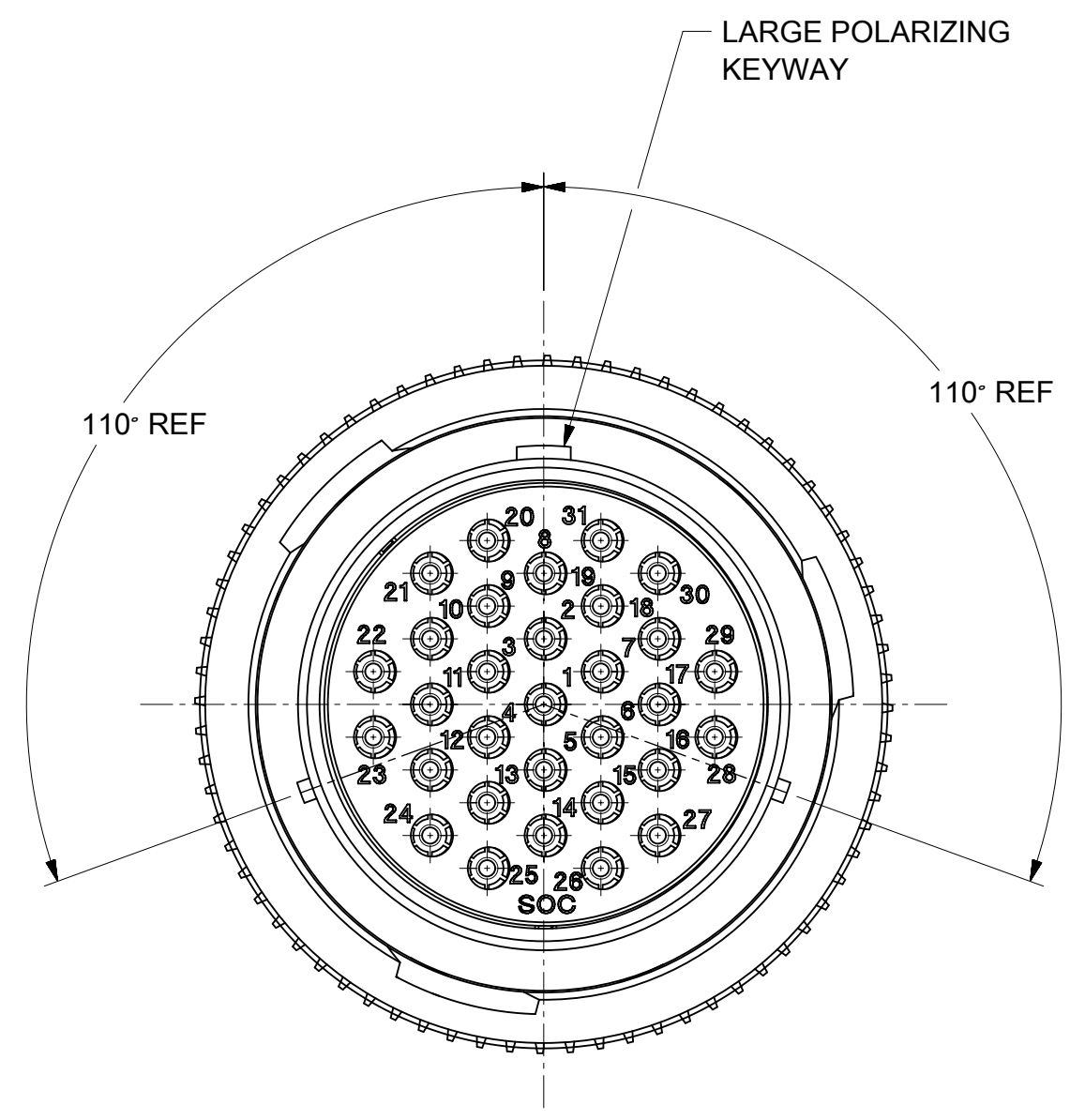
- NOTES:
1. USE CONNECTOR WITH FEMALE CRIMP TERMINAL SERIES 84525.
 2. MATES WITH RECEPTACLE CONNECTOR SERIES 84511.
 3. ASSEMBLY IS ROHS COMPLIANT.
 4. PACKAGED PER PK-84501-001.

QUALITY SYMBOLS 	THIS DRAWING CONTAINS INFORMATION THAT IS PROPRIETARY TO MOLEX ELECTRONIC TECHNOLOGIES, LLC AND SHOULD NOT BE USED WITHOUT WRITTEN PERMISSION										
	CAD MIGRATION EC NO: 122085 DRWN: CRAODOREMS CHKD: SMCGREEVY REV / APPR: JDWALLACE	2017/09/01		2017/10/03		2017/10/03		DIMENSION UNITS IN[MM]		SCALE 2:1	
		GENERAL TOLERANCES (UNLESS SPECIFIED)						DRWN BY BRUPERT		DATE 2006/2/8	
		4 PLACES		±		±		CHK'D BY JPAWLICKI		DATE 2006/6/6	
		3 PLACES		±		±		APPR BY RDEROSS		DATE 2006/6/7	
		2 PLACES		±		± 0.015		DRAWING SIZE C		THIRD ANGLE PROJECTION	
	1 PLACES		±		± 0.38		ANGULAR TOL = 2.0				
	0 PLACES		±		±		DRAFT WHERE APPLICABLE MUST REMAIN WITHIN DIMENSIONS				
	C1		SERIES 84510		MATERIAL NUMBER 845100004		CUSTOMER GENERAL MARKET				
	RELEASE STATUS P1		RELEASE DATE 03.10.2017		DOCUMENT NUMBER SD-84510-002		DOC TYPE PSD		DOC PART 001		SHEET NUMBER 1 OF 2

MATERIAL NUMBER	WIRE AWG	INSULATION DIA O.D.	RING
845100005	18 - 14	.053 - .134 [1.35 - 3.40]	EXTENDED LIP, BLACK



SCALE 1:1



WIRE ENTRY VIEW

- NOTES:
1. USE CONNECTOR WITH MALE CRIMP TERMINAL SERIES 84525.
 2. MATES WITH RECEPTACLE CONNECTOR SERIES 84506.
 3. USE CONNECTOR WITH STRAIN RELIEF BACKSHELL, MOLEX MATERIAL NO. 84537-0003.
 4. ASSEMBLY IS ROHS COMPLIANT.
 5. PACKAGED PER PK-84501-001.

QUALITY SYMBOLS ▽ = 0 ▽ = 0 ▽ = 0 ▽ = 0 ▽ = 0 ▽ = 0 ▽ = 0 ▽ = 0 ▽ = 0 ▽ = 0	THIS DRAWING CONTAINS INFORMATION THAT IS PROPRIETARY TO MOLEX ELECTRONIC TECHNOLOGIES, LLC AND SHOULD NOT BE USED WITHOUT WRITTEN PERMISSION				DIMENSION UNITS		SCALE											
	GENERAL TOLERANCES (UNLESS SPECIFIED)				IN[MM]		2:1											
	CAD MIGRATION				MM		INCH		DRWN BY		DATE		PLUG CONNECTOR ASSEMBLY, 24-31 POS SOCKET TERMINALS PRODUCT CUSTOMER DRAWING					
	EC NO: 122085				4 PLACES ±		±		BRUPERT		2006/2/8					SERIES: 84510 MATERIAL NUMBER: 845100005 CUSTOMER: GENERAL MARKET		
	DRWN: CRAODOREMS				3 PLACES ±		±		CHK'D BY		DATE							
	CHKD: SMCGRVEY				2 PLACES ±		± 0.015		JPAWLICKI		2006/6/6							
	REV / APPR: JDWALLACE				1 PLACES ±		± 0.38		APPR BY		DATE							
	C1				0 PLACES ±		±		RDEROSS		2006/6/7							
					ANGULAR TOL = 2.0				DRAWING SIZE		THIRD ANGLE PROJECTION							
					DRAFT WHERE APPLICABLE MUST REMAIN WITHIN DIMENSIONS				C									