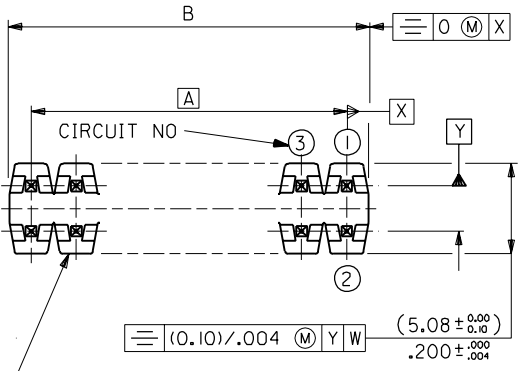
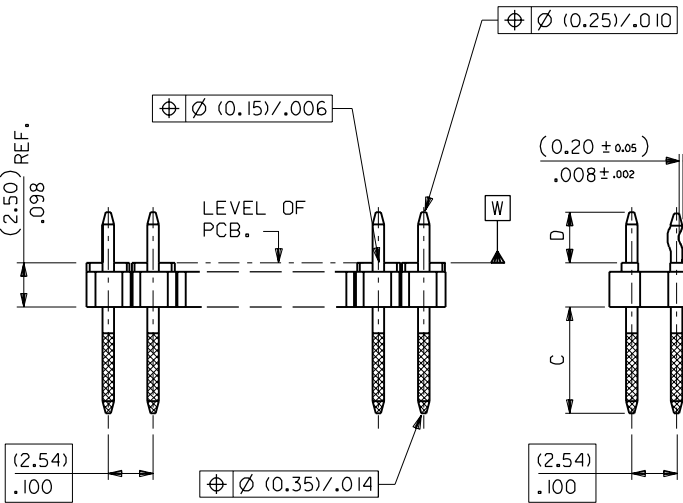


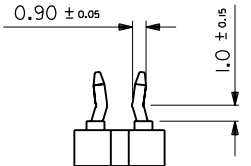
PART NO. SEE CHART
 DWG. NO. SDA-90628



WAFER: 15% G.F. POLYESTER
 TO UL 94V-0.
 COLOUR: BLACK.



OPPOSING KINKS
 VIEW SHOWS 2 X 1 CCT ONLY



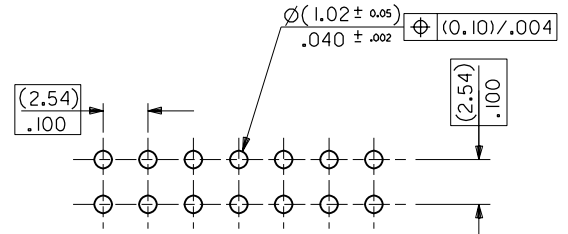
STRAIGHT PINS
 OMITTED FROM VIEW

FOR PREVIOUS
 DRAWING ISSUES
 SEE MRI.

CKT SIZE	DIM. "A"		DIM. "B" (± 0.20 / $\pm .008$)		CKT SIZE	DIM. "A"		DIM. "B" (± 0.20 / $\pm .008$)	
2X 1			(2.54)	.100	2X21	(50.80)	2.000	(53.34)	2.100
2X 2	(2.54)	.100	(5.08)	.200	2X22	(53.34)	2.100	(55.88)	2.200
2X 3	(5.08)	.200	(7.62)	.300	2X23	(55.88)	2.200	(58.42)	2.300
2X 4	(7.62)	.300	(10.16)	.400	2X24	(58.42)	2.300	(60.96)	2.400
2X 5	(10.16)	.400	(12.70)	.500	2X25	(60.96)	2.400	(63.50)	2.500
2X 6	(12.70)	.500	(15.24)	.600	2X26	(63.50)	2.500	(66.04)	2.600
2X 7	(15.24)	.600	(17.78)	.700	2X27	(66.04)	2.600	(68.58)	2.700
2X 8	(17.78)	.700	(20.32)	.800	2X28	(68.58)	2.700	(71.12)	2.800
2X 9	(20.32)	.800	(22.86)	.900	2X29	(71.12)	2.800	(73.66)	2.900
2X10	(22.86)	.900	(25.40)	1.000	2X30	(73.66)	2.900	(76.20)	3.000
2X11	(25.40)	1.000	(27.94)	1.100	2X31	(76.20)	3.000	(78.74)	3.100
2X12	(27.94)	1.100	(30.48)	1.200	2X32	(78.74)	3.100	(81.28)	3.200
2X13	(30.48)	1.200	(33.02)	1.300	2X33	(81.28)	3.200	(83.82)	3.300
2X14	(33.02)	1.300	(35.56)	1.400	2X34	(83.82)	3.300	(86.36)	3.400
2X15	(35.56)	1.400	(38.10)	1.500	2X35	(86.36)	3.400	(88.90)	3.500
2X16	(38.10)	1.500	(40.64)	1.600	2X36	(88.90)	3.500	(91.44)	3.600
2X17	(40.64)	1.600	(43.18)	1.700	2X37	(91.44)	3.600	(93.98)	3.700
2X18	(43.18)	1.700	(45.72)	1.800	2X38	(93.98)	3.700	(96.52)	3.800
2X19	(45.72)	1.800	(48.26)	1.900	2X39	(96.52)	3.800	(99.06)	3.900
2X20	(48.26)	1.900	(50.80)	2.000	2X40	(99.06)	3.900	(101.60)	4.000

NOTES

- FOR ASSY NUMBERS WITH FINISH OPTIONS AND DIMS C & D SEE SUBSEQUENT SHEETS.
- PCB THICKNESS: (1.37-1.80) / .054-.071.



RECOMMENDED P.C. BOARD HOLE PATTERN

2	B
1	B
SH.	REV.

REVISE ONLY ON CAD SYSTEM

CAD/CAM FILENAME: SA90628X1 DGN

TITLE: C-GRID III DUAL ROW KINKED PIN HEADER

MOLEX MOLEX EUROPE

SHEET NO. DATE: 10F2 90/09/11

PART NO. SEE CHART DWG. NO. SDA-90628 SIZE B

DRWG BY: RD

CHK'D BY:

APP'D BY:

SCALE: 4:1

DIMENSIONS SHOWN (METRIC) INCH	
3 PLACE	± .
2 PLACE	± .004 ± .10
1 PLACE	± .25

DRAFT WHERE APPLICABLE MUST REMAIN WITHIN DIMENSIONS

DESIGN DIMENSION (PRIMARY) (MM) (IN.)

EQUIVALENT DIMENSION (SECONDARY) (MM) (IN.)

NEW RELEASE
 ECR E00166
 11 SEPTEMBER 1990 RD

B LTR REVISIONS

	10	9	8	7	6	5	4	3	2	1																																																																																																																																																																																																																	
F	PART NO. SEE CHART DWG. NO. SDA-90628 DIM C (±0.25) ±.010 (6.75) .266 DIM D (±0.30) ±.012 (2.90) .114	<table border="1"> <thead> <tr> <th>CIRCUIT SIZE</th> <th>PLATING TYPE A PART NO.</th> <th>PLATING TYPE E PART NO.</th> <th>PLATING TYPE F PART NO.</th> <th>KINKED PIN POSITIONS</th> </tr> </thead> <tbody> <tr><td>2 X 1</td><td>90628 -0121</td><td>90628 -0761</td><td>90628 -0921</td><td>1</td></tr> <tr><td>2 X 2</td><td>↑ -0122</td><td>↑ -0762</td><td>↑ -0922</td><td>1,3</td></tr> <tr><td>2 X 3</td><td>-0123</td><td>-0763</td><td>-0923</td><td>1 & 5</td></tr> <tr><td>2 X 4</td><td>-0124</td><td>-0764</td><td>-0924</td><td>3 & 5</td></tr> <tr><td>2 X 5</td><td>-0125</td><td>-0765</td><td>-0925</td><td>3 & 7</td></tr> <tr><td>2 X 6</td><td>-0126</td><td>-0766</td><td>-0926</td><td>5 & 7</td></tr> <tr><td>2 X 7</td><td>-0127</td><td>-0767</td><td>-0927</td><td>5 & 9</td></tr> <tr><td>2 X 8</td><td>-0128</td><td>-0768</td><td>-0928</td><td>7 & 9</td></tr> <tr><td>2 X 9</td><td>-0129</td><td>-0769</td><td>-0929</td><td>7 & 11</td></tr> <tr><td>2 X 10</td><td>-0130</td><td>-0770</td><td>-0930</td><td>9 & 11</td></tr> <tr><td>2 X 11</td><td>-0131</td><td>-0771</td><td>-0931</td><td>1,11 & 21</td></tr> <tr><td>2 X 12</td><td>-0132</td><td>-0772</td><td>-0932</td><td>1,12 & 23</td></tr> <tr><td>2 X 13</td><td>-0133</td><td>-0773</td><td>-0933</td><td>1,13 & 25</td></tr> <tr><td>2 X 14</td><td>-0134</td><td>-0774</td><td>-0934</td><td>1,15 & 27</td></tr> <tr><td>2 X 15</td><td>-0135</td><td>-0775</td><td>-0935</td><td>1,15 & 29</td></tr> <tr><td>2 X 16</td><td>-0136</td><td>-0776</td><td>-0936</td><td>1,15 & 31</td></tr> <tr><td>2 X 17</td><td>-0137</td><td>-0777</td><td>-0937</td><td>1,17 & 33</td></tr> <tr><td>2 X 18</td><td>-0138</td><td>-0778</td><td>-0938</td><td>1,17 & 35</td></tr> <tr><td>2 X 19</td><td>-0139</td><td>-0779</td><td>-0939</td><td>1,19 & 37</td></tr> <tr><td>2 X 20</td><td>-0140</td><td>-0780</td><td>-0940</td><td>1,19 & 39</td></tr> <tr><td>2 X 21</td><td>-0141</td><td>-0781</td><td>-0941</td><td>1,21 & 41</td></tr> <tr><td>2 X 22</td><td>-0142</td><td>-0782</td><td>-0942</td><td>1,21 & 43</td></tr> <tr><td>2 X 23</td><td>-0143</td><td>-0783</td><td>-0943</td><td>1,23 & 45</td></tr> <tr><td>2 X 24</td><td>-0144</td><td>-0784</td><td>-0944</td><td>1,23 & 47</td></tr> <tr><td>2 X 25</td><td>-0145</td><td>-0785</td><td>-0945</td><td>1,25 & 49</td></tr> <tr><td>2 X 26</td><td>-0146</td><td>-0786</td><td>-0946</td><td>1,25 & 51</td></tr> <tr><td>2 X 27</td><td>-0147</td><td>-0787</td><td>-0947</td><td>1,27 & 53</td></tr> <tr><td>2 X 28</td><td>-0148</td><td>-0788</td><td>-0948</td><td>1,27 & 55</td></tr> <tr><td>2 X 29</td><td>-0149</td><td>-0789</td><td>-0949</td><td>1,29 & 57</td></tr> <tr><td>2 X 30</td><td>-0150</td><td>-0790</td><td>-0950</td><td>1,29 & 59</td></tr> <tr><td>2 X 31</td><td>-0151</td><td>-0791</td><td>-0951</td><td>1,31 & 61</td></tr> <tr><td>2 X 32</td><td>-0152</td><td>-0792</td><td>-0952</td><td>1,31 & 63</td></tr> <tr><td>2 X 33</td><td>-0153</td><td>-0793</td><td>-0953</td><td>1,33 & 65</td></tr> <tr><td>2 X 34</td><td>-0154</td><td>-0794</td><td>-0954</td><td>1,33 & 67</td></tr> <tr><td>2 X 35</td><td>-0155</td><td>-0795</td><td>-0955</td><td>1,35 & 69</td></tr> <tr><td>2 X 36</td><td>-0156</td><td>-0796</td><td>-0956</td><td>1,35 & 71</td></tr> <tr><td>2 X 37</td><td>-0157</td><td>-0797</td><td>-0957</td><td>1,37 & 73</td></tr> <tr><td>2 X 38</td><td>-0158</td><td>-0798</td><td>-0958</td><td>1,37 & 75</td></tr> <tr><td>2 X 39</td><td>↓ -0159</td><td>↓ -0799</td><td>↓ -0959</td><td>1,39 & 77</td></tr> <tr><td>2 X 40</td><td>90628 -0160</td><td>90628 -0800</td><td>90628 -0960</td><td>1,39 & 79</td></tr> </tbody> </table>				CIRCUIT SIZE	PLATING TYPE A PART NO.	PLATING TYPE E PART NO.	PLATING TYPE F PART NO.	KINKED PIN POSITIONS	2 X 1	90628 -0121	90628 -0761	90628 -0921	1	2 X 2	↑ -0122	↑ -0762	↑ -0922	1,3	2 X 3	-0123	-0763	-0923	1 & 5	2 X 4	-0124	-0764	-0924	3 & 5	2 X 5	-0125	-0765	-0925	3 & 7	2 X 6	-0126	-0766	-0926	5 & 7	2 X 7	-0127	-0767	-0927	5 & 9	2 X 8	-0128	-0768	-0928	7 & 9	2 X 9	-0129	-0769	-0929	7 & 11	2 X 10	-0130	-0770	-0930	9 & 11	2 X 11	-0131	-0771	-0931	1,11 & 21	2 X 12	-0132	-0772	-0932	1,12 & 23	2 X 13	-0133	-0773	-0933	1,13 & 25	2 X 14	-0134	-0774	-0934	1,15 & 27	2 X 15	-0135	-0775	-0935	1,15 & 29	2 X 16	-0136	-0776	-0936	1,15 & 31	2 X 17	-0137	-0777	-0937	1,17 & 33	2 X 18	-0138	-0778	-0938	1,17 & 35	2 X 19	-0139	-0779	-0939	1,19 & 37	2 X 20	-0140	-0780	-0940	1,19 & 39	2 X 21	-0141	-0781	-0941	1,21 & 41	2 X 22	-0142	-0782	-0942	1,21 & 43	2 X 23	-0143	-0783	-0943	1,23 & 45	2 X 24	-0144	-0784	-0944	1,23 & 47	2 X 25	-0145	-0785	-0945	1,25 & 49	2 X 26	-0146	-0786	-0946	1,25 & 51	2 X 27	-0147	-0787	-0947	1,27 & 53	2 X 28	-0148	-0788	-0948	1,27 & 55	2 X 29	-0149	-0789	-0949	1,29 & 57	2 X 30	-0150	-0790	-0950	1,29 & 59	2 X 31	-0151	-0791	-0951	1,31 & 61	2 X 32	-0152	-0792	-0952	1,31 & 63	2 X 33	-0153	-0793	-0953	1,33 & 65	2 X 34	-0154	-0794	-0954	1,33 & 67	2 X 35	-0155	-0795	-0955	1,35 & 69	2 X 36	-0156	-0796	-0956	1,35 & 71	2 X 37	-0157	-0797	-0957	1,37 & 73	2 X 38	-0158	-0798	-0958	1,37 & 75	2 X 39	↓ -0159	↓ -0799	↓ -0959	1,39 & 77	2 X 40	90628 -0160	90628 -0800	90628 -0960	1,39 & 79									
CIRCUIT SIZE		PLATING TYPE A PART NO.	PLATING TYPE E PART NO.	PLATING TYPE F PART NO.	KINKED PIN POSITIONS																																																																																																																																																																																																																						
2 X 1		90628 -0121	90628 -0761	90628 -0921	1																																																																																																																																																																																																																						
2 X 2		↑ -0122	↑ -0762	↑ -0922	1,3																																																																																																																																																																																																																						
2 X 3		-0123	-0763	-0923	1 & 5																																																																																																																																																																																																																						
2 X 4		-0124	-0764	-0924	3 & 5																																																																																																																																																																																																																						
2 X 5		-0125	-0765	-0925	3 & 7																																																																																																																																																																																																																						
2 X 6		-0126	-0766	-0926	5 & 7																																																																																																																																																																																																																						
2 X 7		-0127	-0767	-0927	5 & 9																																																																																																																																																																																																																						
2 X 8		-0128	-0768	-0928	7 & 9																																																																																																																																																																																																																						
2 X 9		-0129	-0769	-0929	7 & 11																																																																																																																																																																																																																						
2 X 10		-0130	-0770	-0930	9 & 11																																																																																																																																																																																																																						
2 X 11		-0131	-0771	-0931	1,11 & 21																																																																																																																																																																																																																						
2 X 12		-0132	-0772	-0932	1,12 & 23																																																																																																																																																																																																																						
2 X 13		-0133	-0773	-0933	1,13 & 25																																																																																																																																																																																																																						
2 X 14		-0134	-0774	-0934	1,15 & 27																																																																																																																																																																																																																						
2 X 15		-0135	-0775	-0935	1,15 & 29																																																																																																																																																																																																																						
2 X 16		-0136	-0776	-0936	1,15 & 31																																																																																																																																																																																																																						
2 X 17		-0137	-0777	-0937	1,17 & 33																																																																																																																																																																																																																						
2 X 18		-0138	-0778	-0938	1,17 & 35																																																																																																																																																																																																																						
2 X 19		-0139	-0779	-0939	1,19 & 37																																																																																																																																																																																																																						
2 X 20		-0140	-0780	-0940	1,19 & 39																																																																																																																																																																																																																						
2 X 21		-0141	-0781	-0941	1,21 & 41																																																																																																																																																																																																																						
2 X 22		-0142	-0782	-0942	1,21 & 43																																																																																																																																																																																																																						
2 X 23		-0143	-0783	-0943	1,23 & 45																																																																																																																																																																																																																						
2 X 24		-0144	-0784	-0944	1,23 & 47																																																																																																																																																																																																																						
2 X 25		-0145	-0785	-0945	1,25 & 49																																																																																																																																																																																																																						
2 X 26		-0146	-0786	-0946	1,25 & 51																																																																																																																																																																																																																						
2 X 27		-0147	-0787	-0947	1,27 & 53																																																																																																																																																																																																																						
2 X 28		-0148	-0788	-0948	1,27 & 55																																																																																																																																																																																																																						
2 X 29		-0149	-0789	-0949	1,29 & 57																																																																																																																																																																																																																						
2 X 30		-0150	-0790	-0950	1,29 & 59																																																																																																																																																																																																																						
2 X 31		-0151	-0791	-0951	1,31 & 61																																																																																																																																																																																																																						
2 X 32		-0152	-0792	-0952	1,31 & 63																																																																																																																																																																																																																						
2 X 33		-0153	-0793	-0953	1,33 & 65																																																																																																																																																																																																																						
2 X 34		-0154	-0794	-0954	1,33 & 67																																																																																																																																																																																																																						
2 X 35		-0155	-0795	-0955	1,35 & 69																																																																																																																																																																																																																						
2 X 36		-0156	-0796	-0956	1,35 & 71																																																																																																																																																																																																																						
2 X 37		-0157	-0797	-0957	1,37 & 73																																																																																																																																																																																																																						
2 X 38		-0158	-0798	-0958	1,37 & 75																																																																																																																																																																																																																						
2 X 39	↓ -0159	↓ -0799	↓ -0959	1,39 & 77																																																																																																																																																																																																																							
2 X 40	90628 -0160	90628 -0800	90628 -0960	1,39 & 79																																																																																																																																																																																																																							
E																																																																																																																																																																																																																											
D																																																																																																																																																																																																																											
C																																																																																																																																																																																																																											
B																																																																																																																																																																																																																											
A																																																																																																																																																																																																																											

NOTES:
 I. FOR PLATING VARIATIONS SEE
 ENG.STD. SDES-99000-0003.

FOR PREVIOUS DRAWING ISSUES SEE MRI.

SEE SHEET I.

REVISIONS	DIMENSIONS SHOWN (METRIC) INCH	
	UNLESS OTHERWISE SPECIFIED TOLERANCES: ANGULAR ± 1/2°	
	INCH	(METRIC)
	3 PLACE ± .	
	2 PLACE ± .	±
	1 PLACE ±	±
	DRAFT WHERE APPLICABLE MUST REMAIN WITHIN DIMENSIONS	
	DESIGN DIMENSION (PRIMARY)	<input checked="" type="checkbox"/> (MM) <input type="checkbox"/> IN.
	EQUIVALENT DIMENSION (SECONDARY)	<input type="checkbox"/> (MM) <input checked="" type="checkbox"/> IN.

DRWG BY	RD
CHK'D BY	
APP'D BY	
SCALE	

REVISE ONLY ON CAD SYSTEM		SH.	REV.
CAD/CAM FILENAME SA90628X2 DCN	THIS DRAWING CONTAINS INFORMATION THAT IS PROPRIETARY TO MOLEX INC. & SHOULD NOT BE USED WITHOUT WRITTEN PERMISSION		
C-GRID III DUAL ROW KINKED PIN HEADER			
MOLEX EUROPE		SHEET NO. 20F	DATE 90/09/11
PART NO. SEE CHART	DWG NO. SDA-90628	SIZE B	