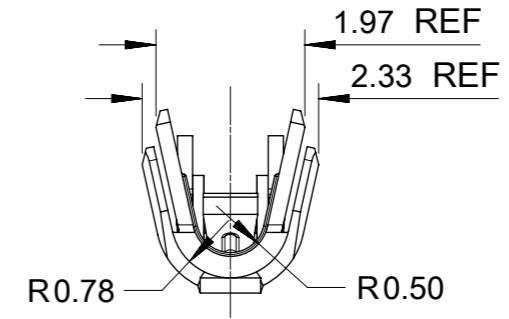
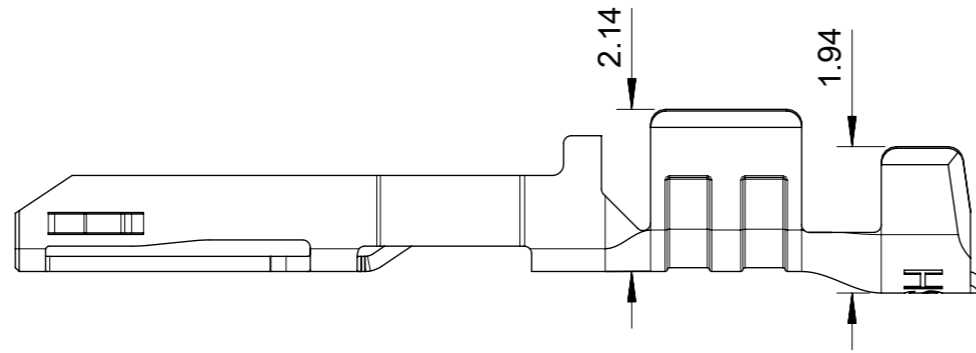
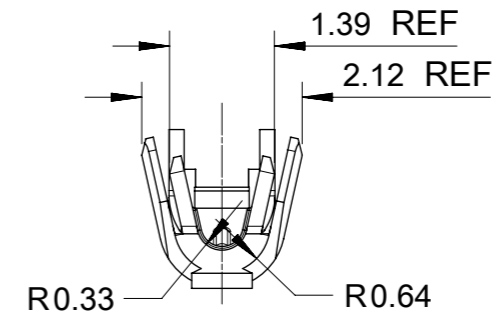
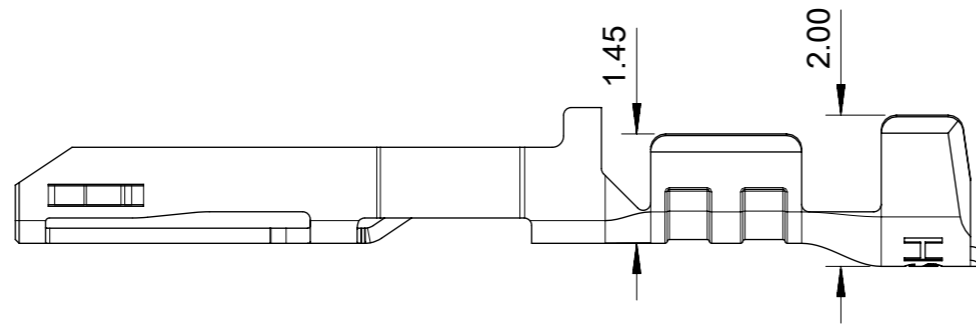


- NOTES:
1. MATERIAL: HIGH CONDUCTIVITY COPPER ALLOY.
  2. PLATING FINISH SEE CHART IN SHEET 3.
  3. PRODUCT SPECIFICATION: PS-105300-100.
  4. PACKAGE SPECIFICATION: PK-105300-100.
  5. THE COMPONENT COMPLIANT TO RoHS DIRECTIVE 2011/65/EU AND ELV DIRECTIVE 2000/53/EC.
  6. PRODUCT APPLY TO RECEPTACLE HOUSING OF 105307-\*\*\*\* AND 105308-\*\*\*\*.
  7. PARTS CONFORM TO CLASS 'B' REQUIREMENTS OF COSMETIC SPECIFICATION PS-45499-002.
  8. APPLICATION SPECIFICATION: AS-105300-100.
  9. RECOMMENDED INSULATOR:  
20AWG WIRE, OD 1.60MM MAX.  
24AWG WIRE, OD 1.30MM MAX.

THIS DRAWING CONTAINS INFORMATION THAT IS PROPRIETARY TO MOLEX ELECTRONIC TECHNOLOGIES, LLC AND SHOULD NOT BE USED WITHOUT WRITTEN PERMISSION									
DIMENSION UNITS		SCALE		CURRENT REV DESC:					
mm		10:1							
GENERAL TOLERANCES (UNLESS SPECIFIED)				EC NO: 749038				<b>CRIMP TERMINAL OF NANO-FIT, GOLD PLATING POWER CONNECTOR</b>	
ANGULAR TOL ± 3.0°				DRWN: GLLI 2023/05/10					
4 PLACES ±				CHK'D: XQZHANG 2023/05/25				<b>PRODUCT CUSTOMER DRAWING</b>	
3 PLACES ±				APPR: XQZHANG 2023/05/25					
2 PLACES ± 0.15				INITIAL REVISION:				DOCUMENT NUMBER	
1 PLACE ± 0.2				DRWN: GLLI 2015/03/18				SD-105300-100	
0 PLACES ±				APPR: AYIN 2015/04/08				DOC TYPE DOC PART REVISION	
DRAFT WHERE APPLICABLE MUST REMAIN WITHIN DIMENSIONS				THIRD ANGLE PROJECTION		DRAWING		SHEET NUMBER	
						A3-SIZE		1 OF 3	
				SERIES		MATERIAL NUMBER		CUSTOMER	
				105300		GENERAL MARKET		1 OF 3	

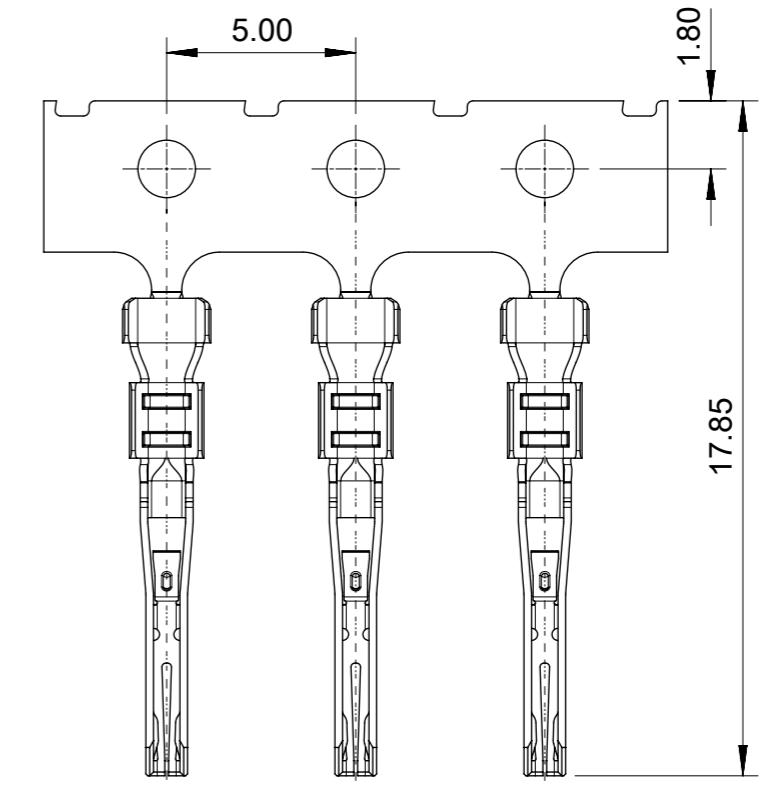
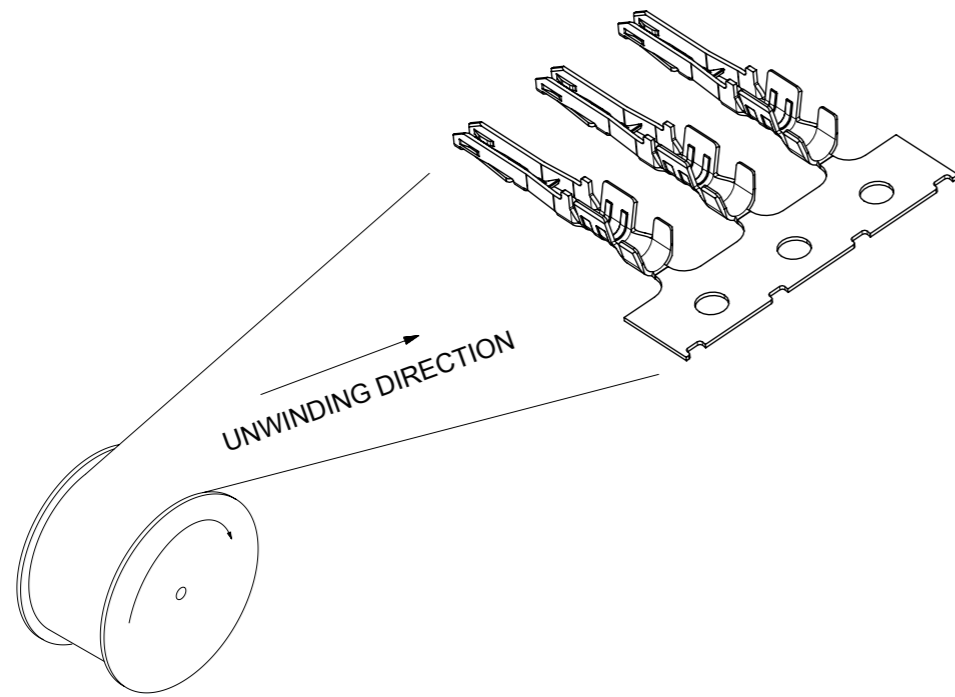


ONLY FOR WIRE OF AWG 20/22



ONLY FOR WIRE OF AWG 24/26

THIS DRAWING CONTAINS INFORMATION THAT IS PROPRIETARY TO MOLEX ELECTRONIC TECHNOLOGIES, LLC AND SHOULD NOT BE USED WITHOUT WRITTEN PERMISSION									
DIMENSION UNITS	SCALE	CURRENT REV DESC:							
mm	10:1								
GENERAL TOLERANCES (UNLESS SPECIFIED)		EC NO: 749038			CRIMP TERMINAL OF NANO-FIT, GOLD PLATING POWER CONNECTOR				
ANGULAR TOL ± 3.0 °		DRWN: GLLI 2023/05/10			PRODUCT CUSTOMER DRAWING				
4 PLACES ±		CHK'D: XQZHANG 2023/05/25			DOCUMENT NUMBER				
3 PLACES ±		APPR: XQZHANG 2023/05/25			SD-105300-100				
2 PLACES ± 0.15		INITIAL REVISION:			DOC TYPE		DOC PART		REVISION
1 PLACE ± 0.2		DRWN: GLLI 2015/03/18			PSD		000		G4
0 PLACES ±		APPR: AYIN 2015/04/08			CUSTOMER				SHEET NUMBER
DRAFT WHERE APPLICABLE MUST REMAIN WITHIN DIMENSIONS		THIRD ANGLE PROJECTION		DRAWING	SERIES	MATERIAL NUMBER		CUSTOMER	
				A3-SIZE	105300	GENERAL MARKET		2 OF 3	



	PART NUMBER (WITH LUBE)	PART NUMBER (WITHOUT LUBE)	PLATING TYPE	WIRE SIZE(AWG)	REMARK
CHAIN	N/A	105300-1200	B	24/26	GENERAL MARKET
	105300-1400	105300-1300	C		
	N/A	105300-1810	D		
	N/A	105300-2200	B	20/22	
	105300-2400	105300-2300	C		
	N/A	105300-1900	D		
LOOSE*	N/A	105300-1600	B	24/26	ONLY BE SOLD BY MOLEX FRANCHISED DISTRIBUTORS
	105300-1800	105300-1700	C		
	N/A	105300-1820	D		
	N/A	105300-2600	B	20/22	
	105300-2800	105300-2700	C		
	N/A	105300-1920	D		

\*DISTRIBUTORS MUST PURCHASE CHAIN PART NUMBER AND CREATE LOOSE PIECE PRODUCT.

PLATING SPECIFICATION	
B	GOLD PLATING 0.38 MICRONS MINIMUM ON CONTACT AREA, MATTE TIN 1.25 MICRONS MINIMUM ON CRIMP AREA, UNDER NICKEL PLATING 1.25 MICRONS MINIMUM OVERALL.
C	GOLD PLATING 0.76 MICRONS MINIMUM ON CONTACT AREA, MATTE TIN 1.25 MICRONS MINIMUM ON CRIMP AREA, UNDER NICKEL PLATING 1.25 MICRONS MINIMUM OVERALL.
D	GOLD PLATING 0.025 MICRONS MINIMUM ON CONTACT AREA, MATTE TIN 1.25 MICRONS MINIMUM ON CRIMP AREA, UNDER NICKEL PLATING 1.25 MICRONS MINIMUM OVERALL.

THIS DRAWING CONTAINS INFORMATION THAT IS PROPRIETARY TO MOLEX ELECTRONIC TECHNOLOGIES, LLC AND SHOULD NOT BE USED WITHOUT WRITTEN PERMISSION									
DIMENSION UNITS	SCALE	CURRENT REV DESC:							
mm	5:1	<div style="text-align: center;"><b>molex</b></div> CRIMP TERMINAL OF NANO-FIT, GOLD PLATING POWER CONNECTOR PRODUCT CUSTOMER DRAWING							
GENERAL TOLERANCES (UNLESS SPECIFIED)									
ANGULAR TOL	± 3.0 °								
4 PLACES	±								
3 PLACES	±								
2 PLACES	± 0.15	EC NO: 749038	2023/05/10	DOCUMENT NUMBER					
1 PLACE	± 0.2	DRWN: GLLI	2023/05/25	SD-105300-100					
0 PLACES	±	CHK'D: XQZHANG	2015/03/18	DOCTYPE					
DRAFT WHERE APPLICABLE MUST REMAIN WITHIN DIMENSIONS		APPR: XQZHANG	2015/04/08	DOC PART					
THIRD ANGLE PROJECTION		APPR: AYIN		REVISION					
DRAWING				G4					
SERIES		A3-SIZE	105300	SHEET NUMBER					
MATERIAL NUMBER		CUSTOMER		3 OF 3					
		GENERAL MARKET							