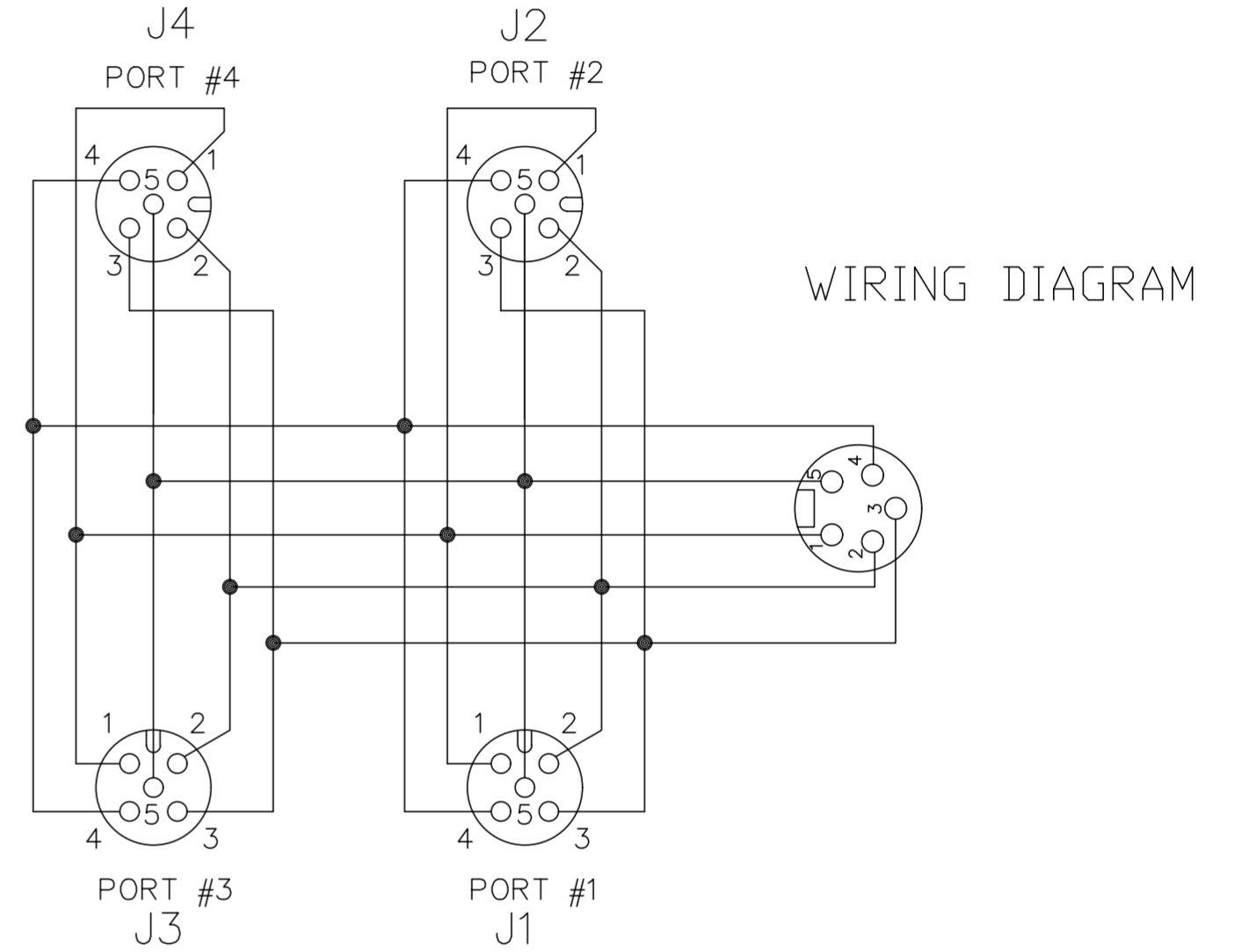
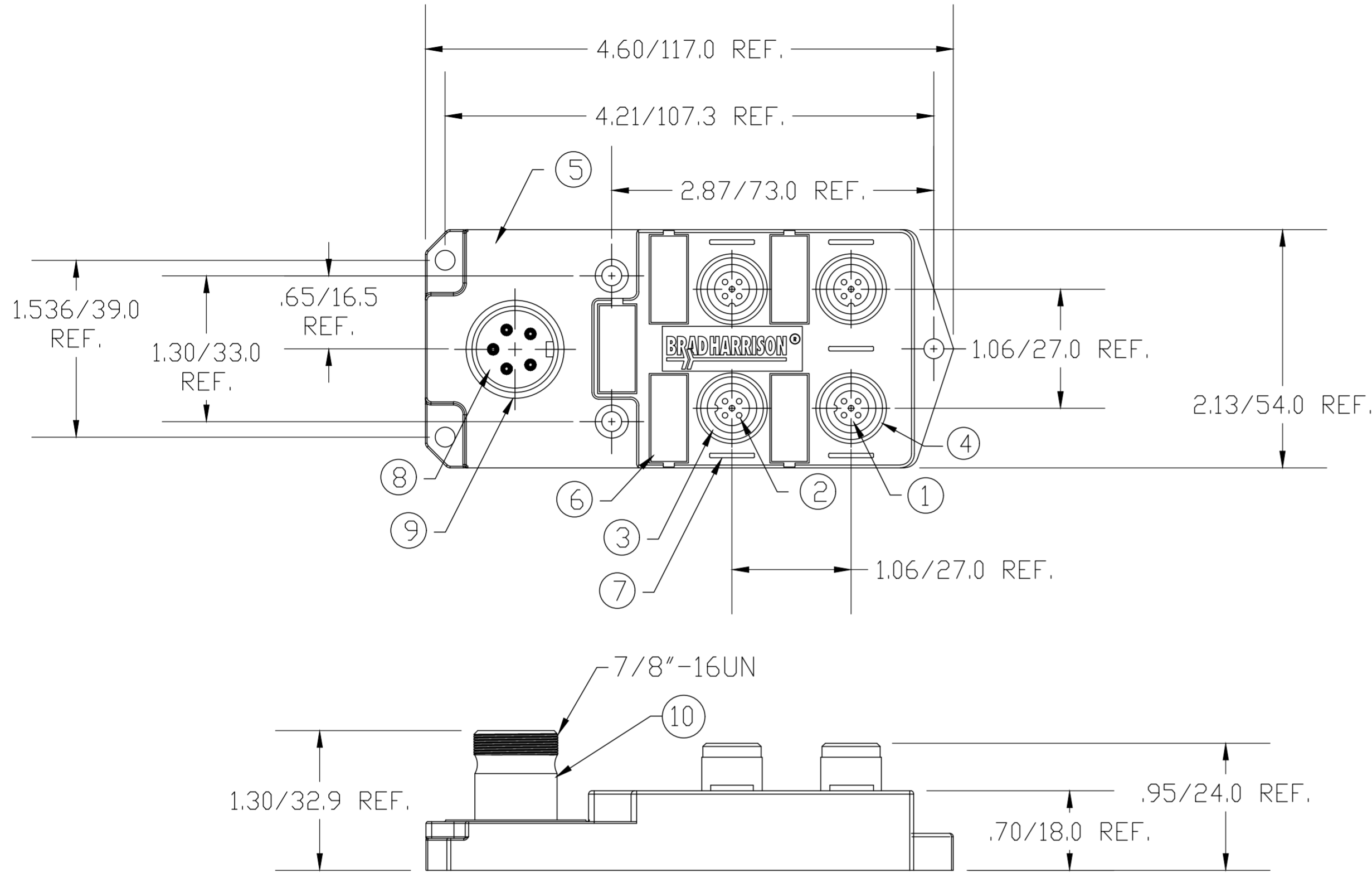
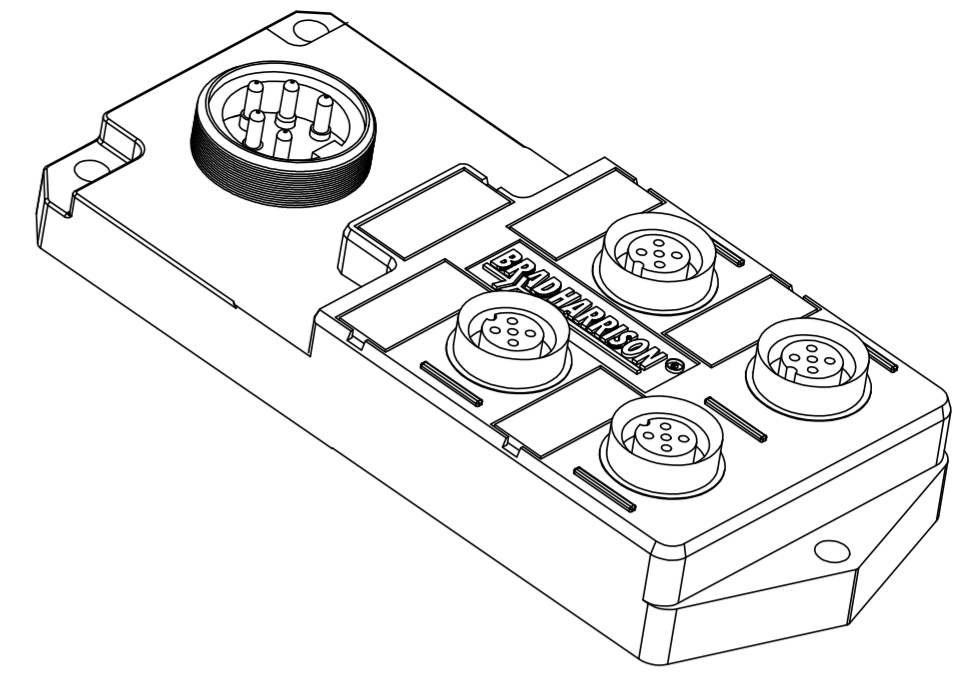


<b>MATERIAL NUMBER</b>	<b>OLD PART NUMBER</b>
130037-0004	DND4200



VOLTAGE RATING	10-30 VDC
AMPERAGE RATING PER M12 PORT	4 AMPS
AMPERAGE RATING FOR MINI-CHANGE HOME RUN PORT	9 AMPS
PROTECTION	IP67
OPERATING TEMPERATURE	-20°C TO 90°C
UL CERTIFICATIONS	UL RECOGNIZED, FILE NO. E152210
CSA CERTIFICATIONS	CSA CERTIFIED, FILE NO. LR6837

ITEM	COMPONENT	MATERIAL	FINISH
1	INSERT	NYLON	BLACK
2	CONTACT SOCKET	COPPER ALLOY	GOLD OVER NICKEL
3	O-RING	NITRILE	RED
4	RECEPTACLE SHELL	BRASS	NICKEL PLATED
5	HOUSING	PBT	GRAY
6	LABEL	ABS	WHITE
7	LENS	NYLON	GRAY
8	INSERT	TPE	GRAY
9	CONTACT PIN	COPPER ALLOY	GOLD OVER NICKEL
10	RECEPTACLE SHELL	BRASS	NICKEL PLATED

<b>SYMBOLS</b> DIMENSION UNITS: INCH/MM SCALE: NTS CURRENT REV DESC: UPDATE AMPERAGE NOTES. GENERAL TOLERANCES (UNLESS SPECIFIED): 4 PLACES ± .004 ± .004 3 PLACES ± .004 ± .004 2 PLACES ± .004 ± .004 1 PLACE ± .004 ± .004 0 PLACES ± .004 ± .004 ANGULAR TOL ± .004 ° DRAFT WHERE APPLICABLE MUST REMAIN WITHIN DIMENSIONS THIRD ANGLE PROJECTION DRAWING: C-SIZE SERIES: 130037	THIS DRAWING CONTAINS INFORMATION THAT IS PROPRIETARY TO MOLEX ELECTRONIC TECHNOLOGIES, LLC AND SHOULD NOT BE USED WITHOUT WRITTEN PERMISSION EC NO: 643920 DRWN: CCHRASTKA 2020/08/24 CHK'D: MZIELINSKI 2020/08/26 APPR: BWOODMAN 2020/08/27 INITIAL REVISION: DRWN: BWOODMAN 2009/07/10 APPR: JFMURPHY 2009/08/10		<b>molex</b> MICRO DEVICENET 4 PORT MINI 5 POLE MALE PRODUCT CUSTOMER DRAWING DOCUMENT NUMBER: SD-130037-001 DOC TYPE: PSD DOC PART: 001 REVISION: C MATERIAL NUMBER: SEE TABLE CUSTOMER: GENERAL MARKET SHEET NUMBER: 1 OF 1	
	DOCUMENT STATUS: P1 RELEASE DATE: 2020/08/27 22:02:21			