

6

5

4

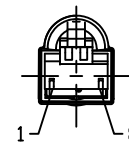
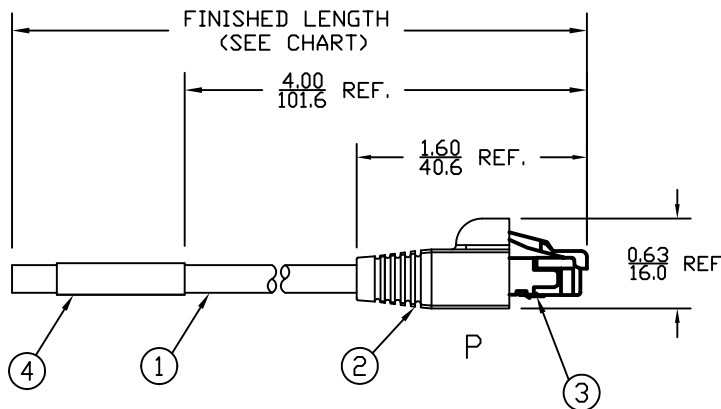
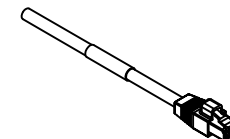
3

2

1

| MATERIAL NUMBER | ENGINEERING NO. | LENGTH ± TOLERANCE |
|-----------------|-----------------|-------------------------------------|
| 1300500436 | ENS3305M010 | 3' 3" +2.19"/-0" [1M +55.6/-0 mm] |

AUX VIEW
SCALE 1:4



MALE - FACE VIEW

| P1 | |
|------|-------------|
| 1 | WHITE/ORG |
| 2 | ORANGE |
| 3 | WHITE/GRN |
| 4 | BLUE |
| 5 | WHITE/BLUE |
| 6 | GREEN |
| 7 | WHITE/BROWN |
| 8 | BROWN |
| SHLD | SHIELD |

WIRING DIAGRAM

NOTES:

- 1) MATERIAL: SEE TABLE
- 2) FINISHES: SEE TABLE
- 3) CABLE: #26/8 SHIELDED TWISTED PAIR, PUR
- 4) ELECTRICAL DATA:
ACCORDING TO CAT5e ETHERNET STANDARD
MAX. VOLTAGE: 30V
MAX. CURRENT 1.5A
- 5) ENVIRONMENTAL:
PROTECTION IP67
TEMPERATURE RANGE: -20°C TO +80°C
- 6) WRAP LABEL IS MARKED WITH P/N & DATE CODE.
- 7) ASSEMBLY IS RoHS COMPLIANT.

| ITEM | QTY. | DESCRIPTION | MATERIAL | FINISH |
|------|------|-----------------------|---------------|--------------|
| 4 | 1 | LABEL | PLASTIC FILM | BLACK/YELLOW |
| 3 | 1 | RJ45 PLUG | POLYCARBONATE | CLEAR |
| 2 | 1 | BOOT | PVC | BLACK |
| 1 | 1 | ETHERNET CABLE--CAT5E | PUR JACKET | BLACK |

| | | | | | | | | | | |
|--|-------------------------|---------------------------------------|--|----------------|---|---|--------------------------------------|--|----------------------------|--|
| SD RELEASE EC NO: WNA2010-0442 DRWN: TVICKERS 2010/01/18 CHKD: BWOODMAN APPR: DTTITUS 2010/01/19 | DESCRIPTION REV A | QUALITY SYMBOLS ▽=0 ▽C=0 | GENERAL TOLERANCES (UNLESS SPECIFIED) | | DIMENSION STYLE IN/MM | | SCALE 1:1 | DESIGN UNITS INCH | THIRD ANGLE PROJECTION | |
| | | | 4 PLACES ±--- ±--- | mm ±--- ±--- | INCH ±--- ±--- | DRAWN BY DATE --- | | TITLE ETHERNET CABLE ASSY 8P M/M STD/STD 568B #24/8 SHIELDED CABLE | | |
| | | | 3 PLACES ±--- ±.005 | mm ±0.13 ±.010 | INCH ±0.25 ±.020 | CHECKED BY DATE BWOODMAN 2010/01/18 | | MOLEX INCORPORATED | | |
| | | | 2 PLACES ±0.13 ±.010 | ANGULAR ±1/2° | | APPROVED BY DATE DTITUS 2010/01/19 | | MOLEX INCORPORATED | | |
| DRAFT WHERE APPLICABLE MUST REMAIN WITHIN DIMENSIONS | | | SEE CHART | | MATERIAL NO. | | DOCUMENT NO. SD-130050-030 | | SHEET NO. 1 OF 1 | |
| | | | SIZE A | | THIS DRAWING CONTAINS INFORMATION THAT IS PROPRIETARY TO MOLEX INCORPORATED AND SHOULD NOT BE USED WITHOUT WRITTEN PERMISSION | | | | | |

6

5

4

3

2

1