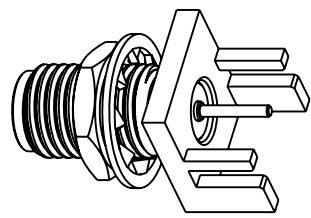


NOTES:

- MATERIALS OF FINISHES:
 HEX NUT - BRASS, GOLD PLATING
 LOCK WASHER - BRASS, GOLD PLATING
 O-RING - SILICONE RUBBER, RED
 BODY - BRASS, GOLD PLATING
 CONTACT PIN - BERYLLIUM COPPER, GOLD PLATING
 INSULATOR - PTFE, NATURAL
- ELECTRICAL:
 A. IMPEDANCE: 50 OHM
 B. FREQUENCY RANGE: 0-18 GHZ
 C. D.W.V: 1000 VRMS, MIN.
- MECHANICAL:
 A. DURABILITY: 500 CYCLES MIN.
 B. TEMPERATURE RANGE: -65°C TO +165°C
- CONTACT PIN MUST WITHSTAND 6 LBS MIN. AXIAL IN BOTH DIRECTIONS AND 4 IN-OZ MIN. RADIAL FORCE.
- BOARD THICKNESS=1.57 MM [.062"]
- MAX. PANEL THICKNESS=3.5mm

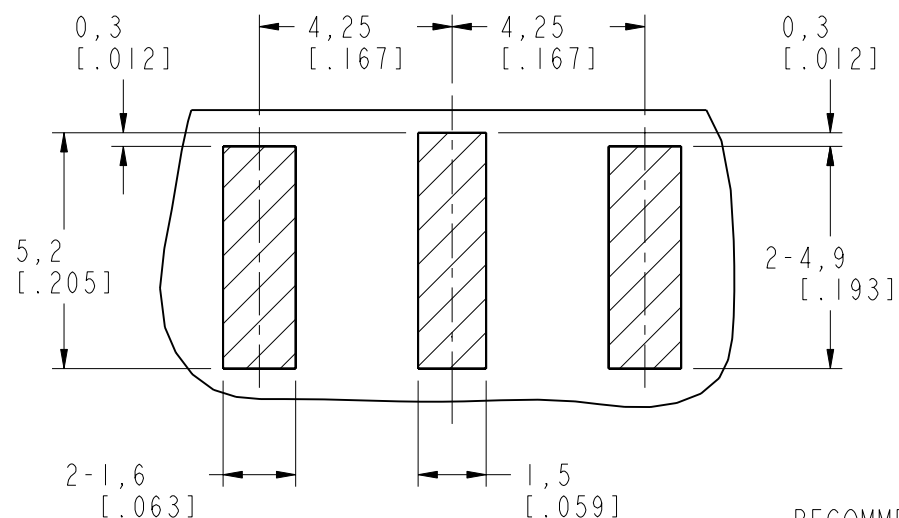


SCALE 2.000

THIRD ANGLE PROJ.

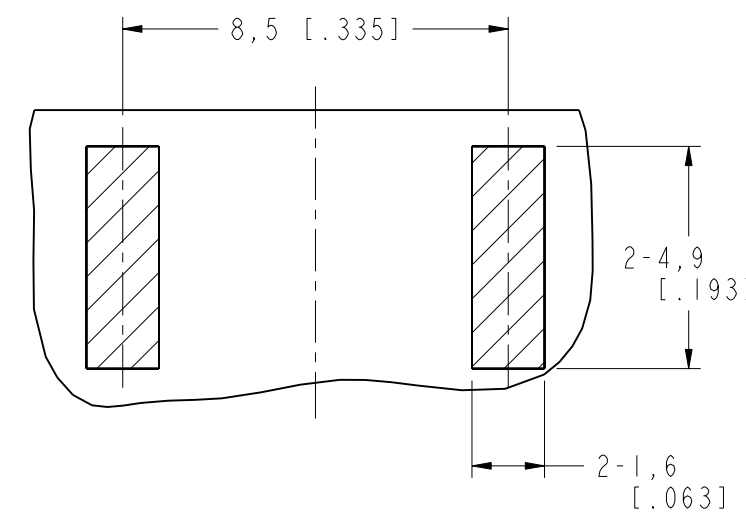
REVISIONS

REV	DESCRIPTION	DATE	ECO	APPR
NC	INITIAL RELEASE	26-Oct-10	----	MZ
A	SYNC, CHANGE THE CENTER CONTACT PLATING	25-Aug-15	50711	MM

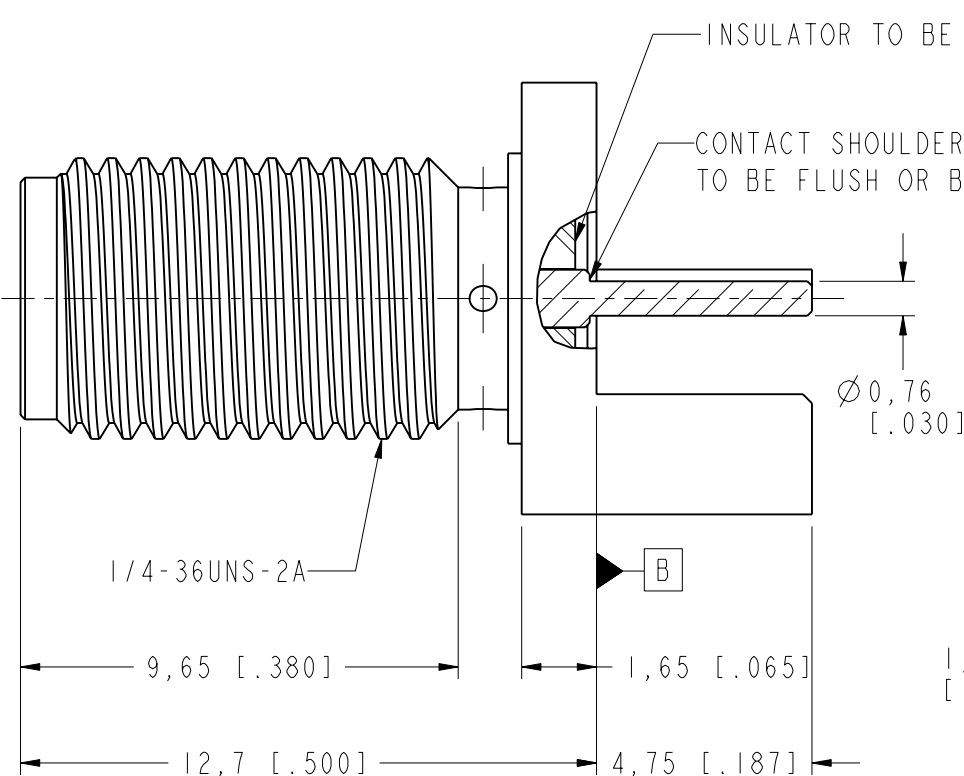
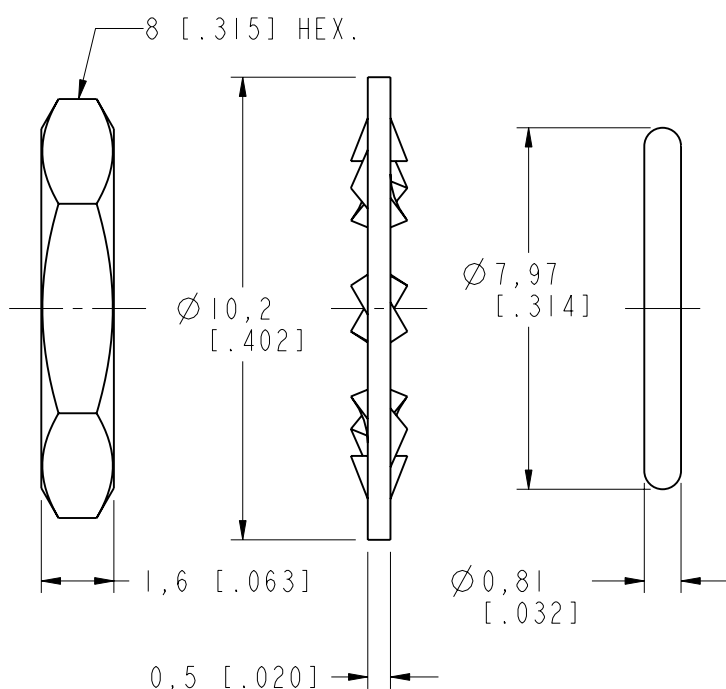


TOP VIEW

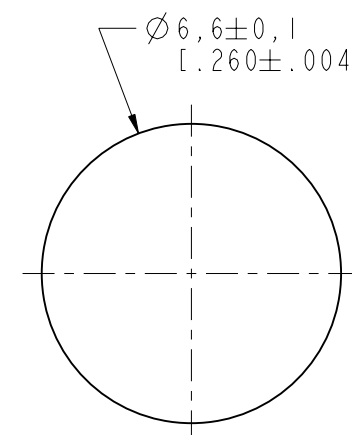
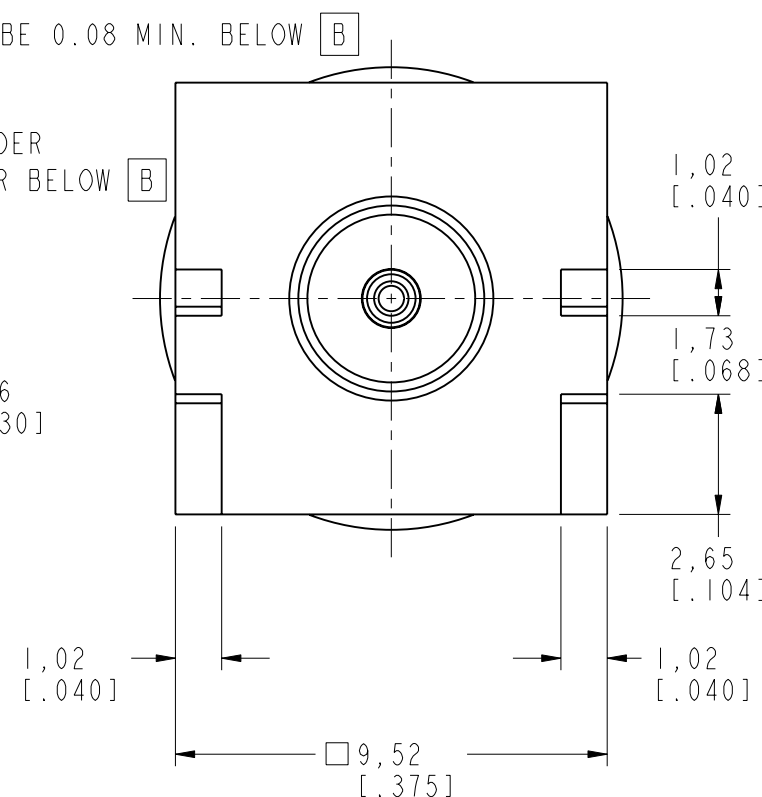
RECOMMENDED PCB LAYOUT



BOTTOM VIEW



INSULATOR TO BE 0.08 MIN. BELOW [B]
 CONTACT SHOULDER TO BE FLUSH OR BELOW [B]



RECOMMENDED MOUNTING HOLE

CUSTOMER OUTLINE DRAWING

ALL OTHER SHEETS ARE FOR INTERNAL USE ONLY

UNLESS OTHERWISE SPECIFIED, DIMENSIONS ARE IN METRIC AND TOLERANCES ARE:
 <0.5mm ±0.05mm 0.5 - 6mm ±0.1mm 6 - 30mm ±0.2mm 30 - 120mm ±0.3mm ANGLES ±1°

NOTICE - These drawings, specifications, or other data (1) are, and remain the property of Amphenol corp. (2) must be returned upon request; and (3) are confidential and not to be disclosed to any person other than those to whom they are given by Amphenol Corp. the furnishing of these drawings, specifications, or other data by Amphenol Corp., or to any other person to anyone for any purpose is not to be regarded by implication or otherwise in any manner licensing, granting rights to permitting such holder or any other person to manufacture, use or sell any product, process or design, patented or otherwise, that may in any way be related to or disclosed by said drawings, specifications, or other data.

MATERIAL	DRAWN M. ZHANG	DATE 25-Aug-15
REFERENCE EAR# 6846 AND	ENGINEER S. DUAN	DATE 25-Aug-15
CONFIGURATION LEVEL: In Work	APPROVED S. HSIEH	DATE 25-Aug-15
FINISH	CAD FILE	

TITLE SMA END LAUNCH RECEPT. JACK, WITH O-RING (FOR .062" THICK PCB)
SCALE: 6.0:1.0
SHEET 2 OF 2
DWG SIZE B
REV A

Amphenol RF
www.amphenolrf.com
DRAWING NO. SMA6251A1-115-3GT5GP-50
ITEM NO. 116251AEV02FR5F
PART NO. 132289-14