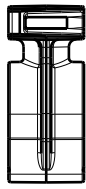
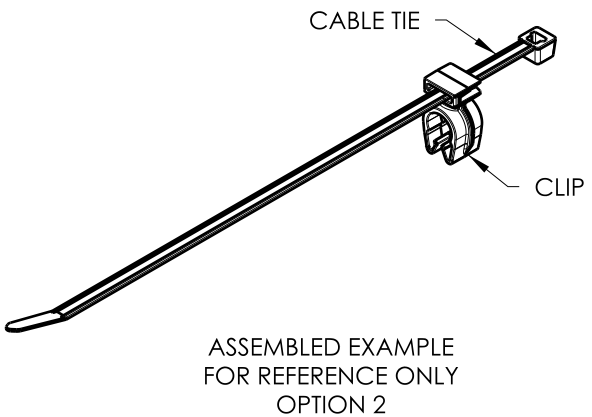
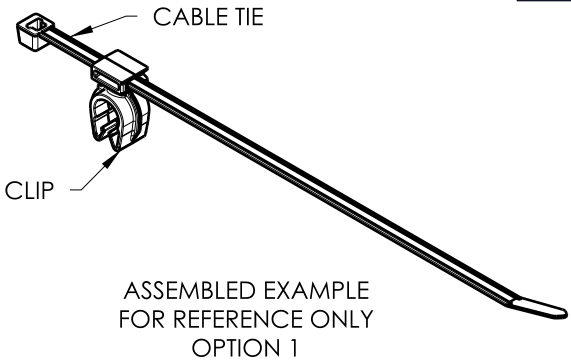
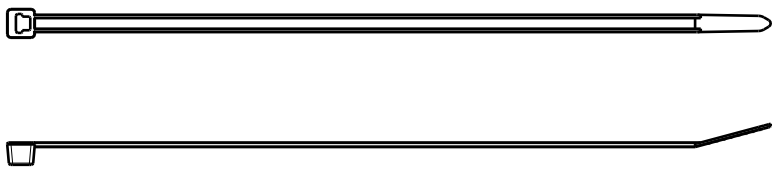


Revision Level			Revision Record	Changed	Date	Approved	Date
Drawing	State	Part					
00.0	Design Release	-	SEE ECN# 014926	EJH	2/19/19	TAT	2/20/19



MOC9SAD
DELIVERY CONDITION: UNASSEMBLED SET
SCALE 1:1



T50R
DELIVERY CONDITION: UNASSEMBLED SET

TYPE	DIAMETER RANGE*
HARNESS	8.5MM-10.0MM
HOSE	8.0MM-10.0MM
HARD PIPE/TUBE	9.0MM-10.0MM

*RECOMMENDED SIZES MAY DIFFER DEPENDING ON THE APPLICATION, PRODUCT REQUIREMENTS AND MATERIALS USED

**PATENT PENDING 29/582,271

GLOBAL PART DESCRIPTION	BUNDLE RANGE	CABLE TIE			CLIP		
		DRAWING	MATERIAL	COLOR	DRAWING	MATERIAL	COLOR
T50RMOC9SAD-SET-PA66HIRHSUV-BK	4 TO 50	CT2050007CST	PA66HIRHSUV	BLACK	16-0317-008-CSU	PA66HIRHSUV	BLACK

Material SEE CHART COLOR: SEE CHART	Units	millimeters	The copyright of this drawing is reserved by HellermannTyton. It is issued on condition that it is not reproduced, copied or disclosed to a third party, either wholly or in part, without the consent of HellermannTyton.	Drawn	EJH	2/19/19	Article/Type-No	T50RMOC9SAD-SET		Scale	1:2			
	Tolerance defined on each dimension	Approved		TAT	2/20/19	Title		9MM (3/8") MOC WITH T50R CABLE TIE		Project Number	16-0317			
		HellermannTyton North America Email: corp@htamericas.com Web: www.hellermann.tyton.com						Drawing-No	PRODUCTION : Phase		Format	AH		
									16-0317-108-CSU		Sheet	1/1		