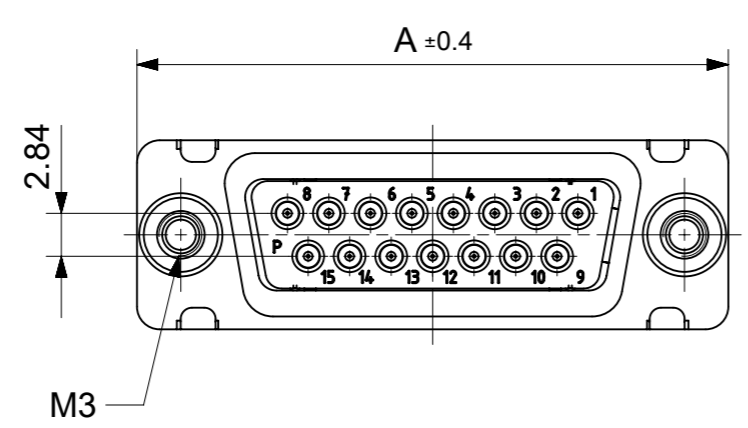
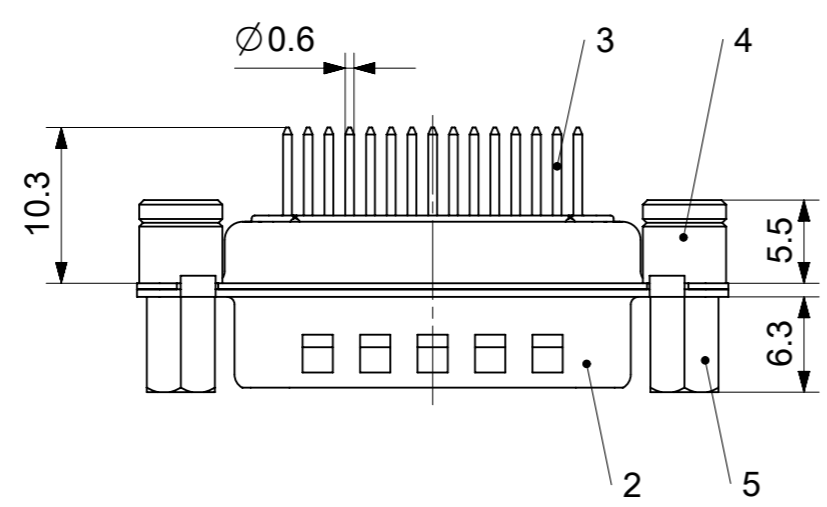
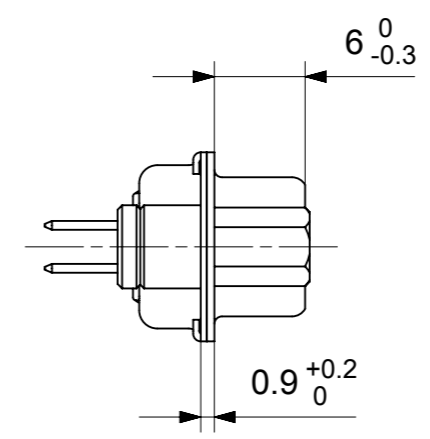
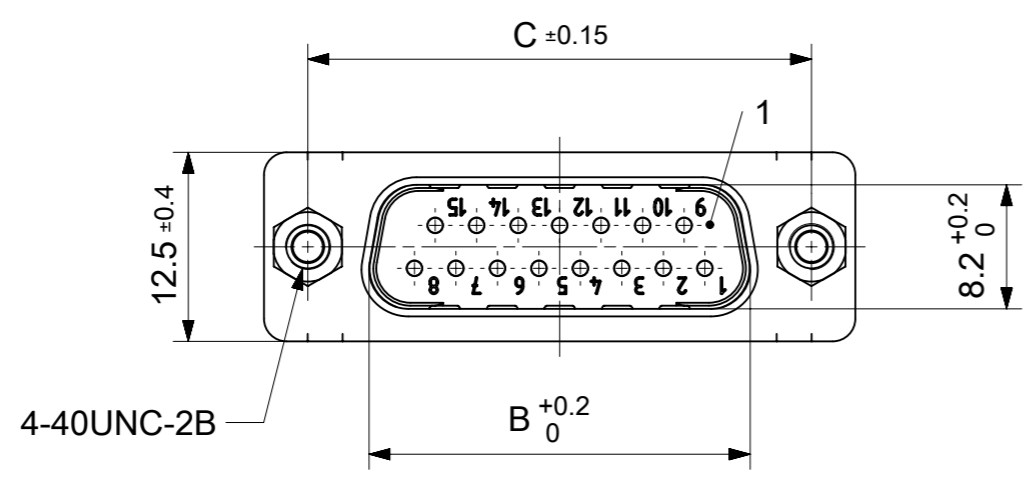


RoHS compliant  
by exemption



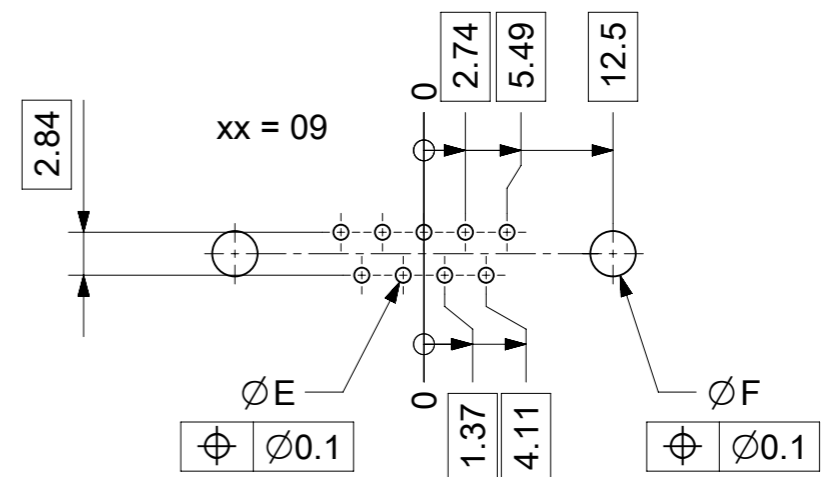
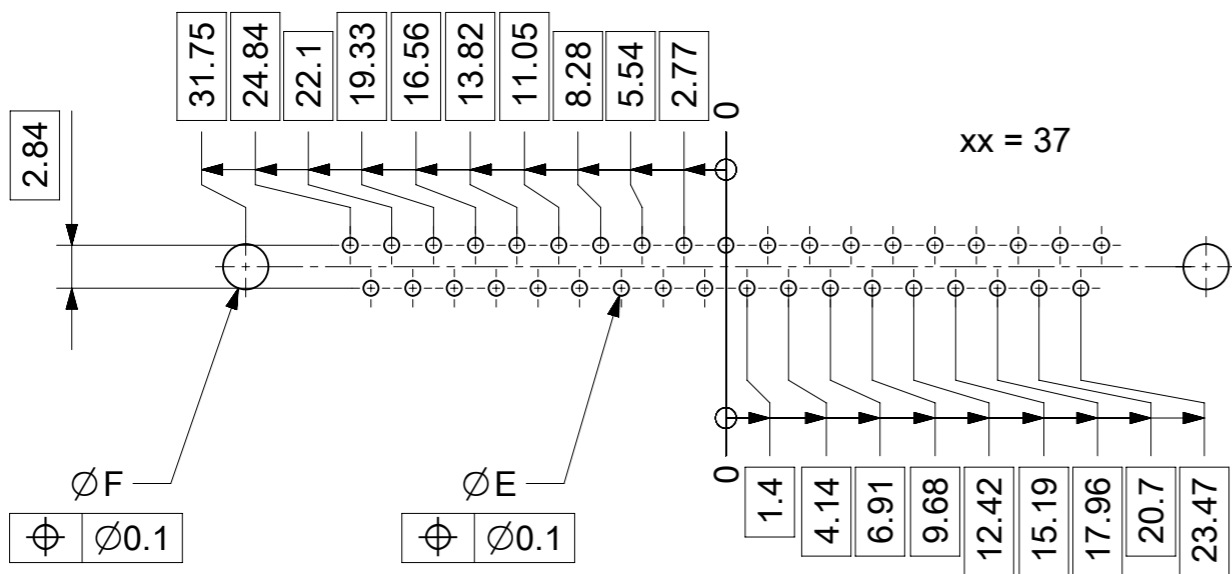
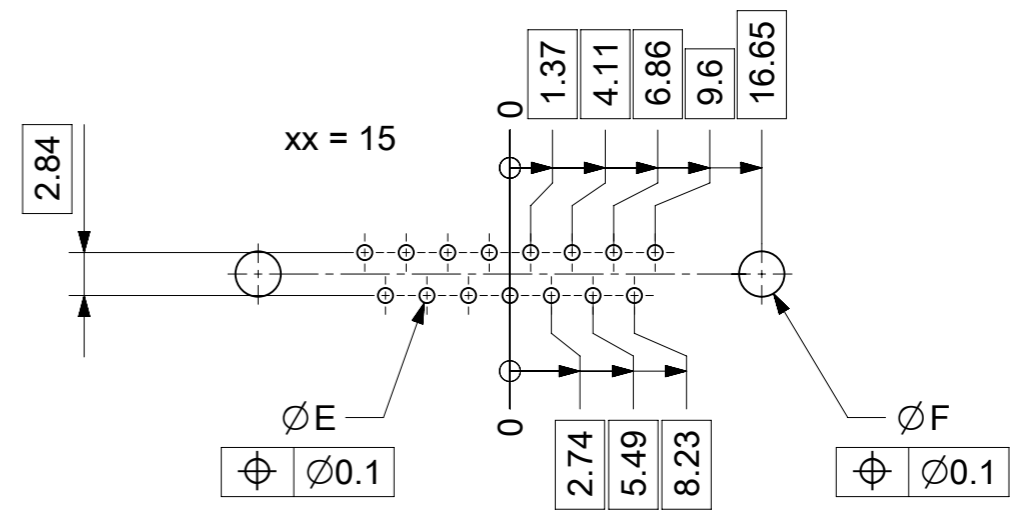
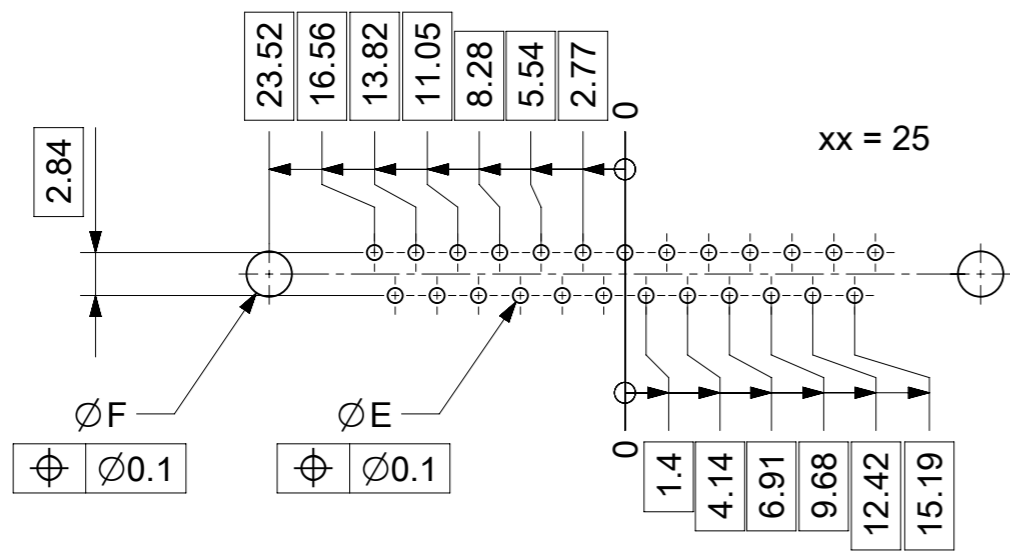
FCT Part number:  
Fxx\*1)P1G0-2043  
e.g. F15P1G0-2043  
\*1) xx No. of contacts 09, 15, 25 or 37

Material Number	xx*1)	A[mm]	B[mm]	C[mm]	*E[mm]
1731140502	09	30.8	16.9	25	Ø1
-	15	39.1	25.2	33.3	
-	25	53	38.9	47.04	
-	37	69.3	55.3	63.5	

\*PCB hole patterns ØE see document 2195600023  
Permeability is tested for the whole connector. Permeability less than 1,0025.

No.	Pc.	Part	Type Description/Material	Surface plating/Color/Class
5	2	Threaded spacer, frontside	Brass (non magnetic)	blank
4	2	Threaded spacer, rear side	Brass (non magnetic)	blank
3	xx	Signal contact	P1 / Brass (non magnetic)	1.3µm Au
2	1	Shell	Brass (non magnetic)	blank
1	1	Insulator	PBT (-55°C to +125°C) acc. UL94V-0	white

MEASUREMENTS WITHOUT TOLERANCE ACC TO ISO 2768-m			REPLACEMENT FOR DOCUMENT NUMBER: FxxP1G0-2043				
FUNCTIONAL SYMBOLS							
THIS DRAWING CONTAINS INFORMATION THAT IS PROPRIETARY TO MOLEX ELECTRONIC TECHNOLOGIES, LLC AND SHOULD NOT BE USED WITHOUT WRITTEN PERMISSION	CURRENT REV DESC:		<p>FCT D-SUB MINIATURE CONNECTOR</p> <p>PRODUCT CUSTOMER DRAWING</p>				
GENERAL TOLERANCES (UNLESS SPECIFIED)	EC NO: 706086					2021/11/30	
ANGULAR TOL ± °	DRWN: SUGEEB					2022/05/11	
4 PLACES ±	CHK'D: MTEUBEL					2022/05/11	
DIVISIONAL SYMBOLS		INITIAL REVISION:		DOCUMENT NUMBER			
3 PLACES ±	DRWN: SUGEEB		2021/11/30		1731140502		
2 PLACES ±	APPR: MTEUBEL		2022/05/11		PSD 000 A		
1 PLACE ±	DRAFT WHERE APPLICABLE MUST REMAIN WITHIN DIMENSIONS		FIRST ANGLE PROJECTION		SHEET NUMBER		
0 PLACES ±	DRAWING		SERIES	MATERIAL NUMBER	CUSTOMER		
A3-SIZE		173114	SEE TABLE	GENERAL MARKET			



$\varnothing E$ ,  $\varnothing F$  see data sheet incl. connector  
 $\varnothing F$  connectors with accessories only

MEASUREMENTS WITHOUT TOLERANCE ACC TO ISO 2768-m				REPLACEMENT FOR DOCUMENT NUMBER: AM0023			
THIS DRAWING CONTAINS INFORMATION THAT IS PROPRIETARY TO MOLEX ELECTRONIC TECHNOLOGIES, LLC AND SHOULD NOT BE USED WITHOUT WRITTEN PERMISSION							
FUNCTIONAL SYMBOLS	DIMENSION UNITS	SCALE	CURRENT REV DESC:				
$\nabla_A = 0$	mm	2:1	EC NO: 713905				
$\nabla_E = 0$	GENERAL TOLERANCES (UNLESS SPECIFIED)		DRWN: SKANDB 2022/05/16				
$\nabla_F = 0$	ANGULAR TOL $\pm$ °		CHK'D: MTEUBEL 2022/07/12				
DIVISIONAL SYMBOLS	4 PLACES $\pm$		APPR: MTEUBEL 2022/07/12				
	3 PLACES $\pm$		INITIAL REVISION:				
	2 PLACES $\pm$		DRWN: SKANDB 2022/05/16				
	1 PLACE $\pm$		APPR: MTEUBEL 2022/07/12				
	0 PLACES $\pm$		DRAFT WHERE APPLICABLE MUST REMAIN WITHIN DIMENSIONS				
	FIRST ANGLE PROJECTION	DRAWING	SERIES	MATERIAL NUMBER	CUSTOMER	DOCUMENT NUMBER	DOC TYPE
		A3-SIZE	219560	219560	GENERAL MARKET	2195600023	PSD
						DOC PART	REVISION
						000	A
						SHEET NUMBER	
						1 OF 1	