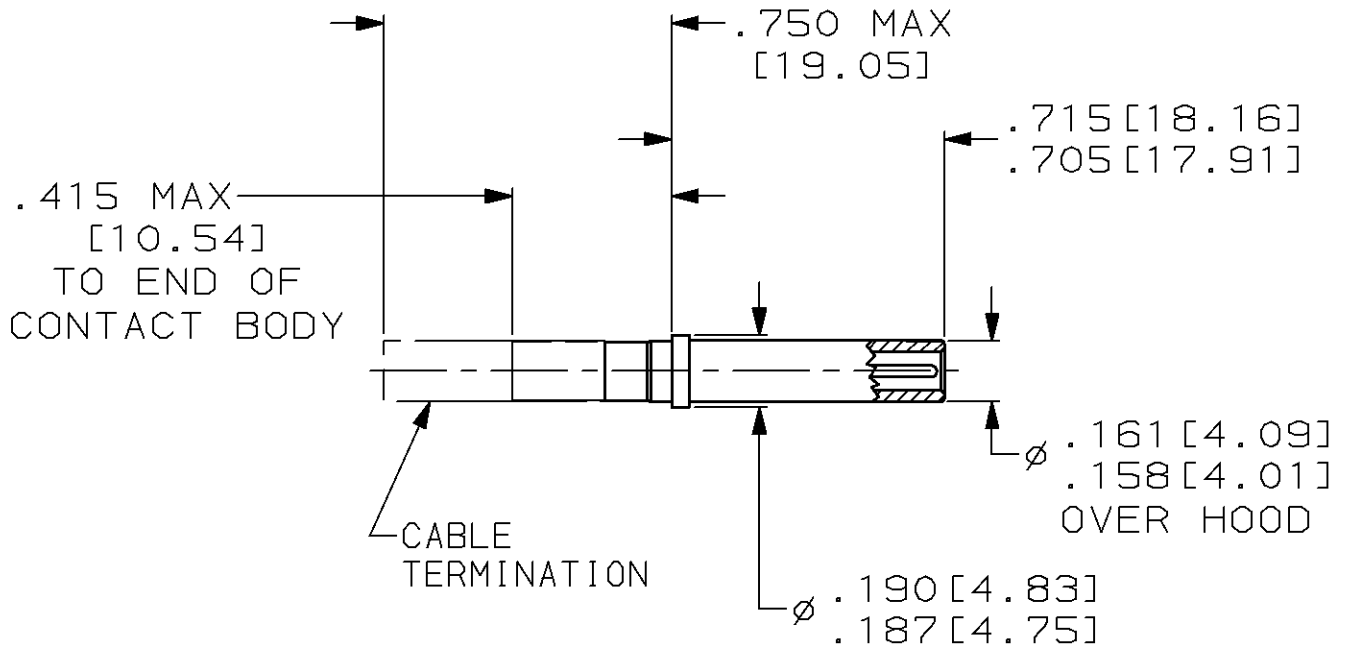


LOC	DIST	REVISIONS					
DF	AO	P	LTR	DESCRIPTION	DATE	DWN	APVD
			0	DRAWN PER DR 8-067F	26JUN98	TT	SG



- CONTACT PER MIL-C-39029/73.
- FOR USE IN MIL-C-83723 SERIES III, MIL-C-26482 SERIES 2, MIL-C-83733 AND DOD-C-83527 CONNECTORS.
- MATES WITH AMP PART NUMBER 213156-1 (MIL-C-39029/74).

213157-1
PART NUMBER

DIMENSIONS: [InCmm]	DWN	26JUN98	MATERIAL	-	FINISH	-					
	CHK	T. THOMPSON	AMP Incorporated Harrisburg, PA 17105-3608								
TOLERANCES UNLESS OTHERWISE SPECIFIED:	APVD	26JUN98	NAME SOCKET CONTACT, SOLDER, SIZE 12, SHIELDED								
	PRODUCT SPEC	S. GLATFELTER									
0 PLC ±-	APPLICATION SPEC	-	SIZE	A4	CAGE CODE	00779	DRAWING NO	C- 213157	RESTRICTED TO	-	
1 PLC ±-	WEIGHT	-	CUSTOMER DRAWING								
2 PLC ±-	SCALE		2:1		SHEET		1 OF 1		REV		0
3 PLC ±.005 [0.13]	AMP 1469-35 REV 11JUN97										
4 PLC ±-	26-JUN-98 08:36:31 amp37315 /home/amp37315/edmod										
ANGLES ±-											

RELEASED FOR PUBLICATION

ALL RIGHTS RESERVED. BY AMP INCORPORATED. COPYRIGHT 19