

Ratings

Voltage: 600 V
 Temperature: -40~105 °C
 Flammability: FT2

Conductor

Conductor count: 10
 Gauge: 22 AWG 0.34 mm²
 Material: tinned copper strands
 Strand size: $\varnothing 0.16 \times 17$
 Resistance at 20 °C: 59.4 Ω /km max

Insulator

Material: mPPE
 Color: red, black, white, yellow, blue, green, orange, purple, gray, brown
 Diameter: $\varnothing 1.3 \pm 0.10$ mm
 Average thickness: 0.25 mm
 Resistance at 20 °C: 100 M Ω /km min

Wrap

Material: cotton paper

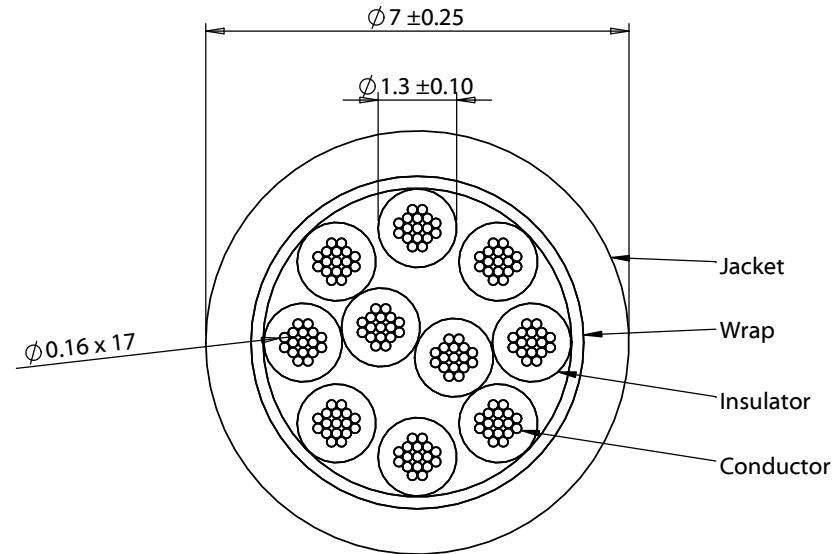
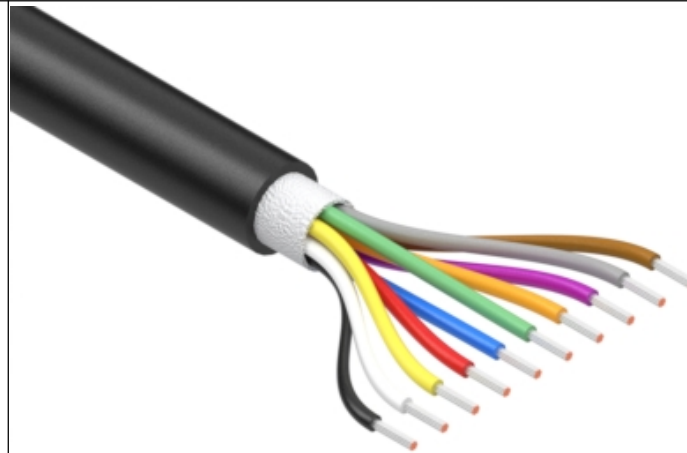
Outer jacket

Material: mPPE, 85A
 Color: black
 Diameter: $\varnothing 7 \pm 0.25$ mm
 Average thickness: 0.85 mm

Wire marking: E339579 UL AWM STYLE 21509 22 AWG 105°C 600V --- cUL AWM I A 105°C 600V FT2 TENSILITY

Bend radius

Minimum: 6 times diameter (42.0 mm)



Revision:	Date:	Description:	Prepared:	Notes: RoHS compliant Phthalate and halogen free	TENSILITY tel 1.541.323.3228 800 877.670.7118 fax 1.541.323.4202 web tensility.com		
A	5/4/2021	Initial release	Verified:				
			Dimensions are in millimeters. Tolerances: X: ± 0.5 mm X.X: ± 0.3 mm X.XX: ± 0.05 mm	Description:	Size: A	Part number: 30-02040	
				Wire, 10C TS, 22 AWG, 21509, 600V, 105C, 7.0 mm, FT2, mPPE	Scale: 8:1		
							Sheet 1 of 1

5

4

3

2

1