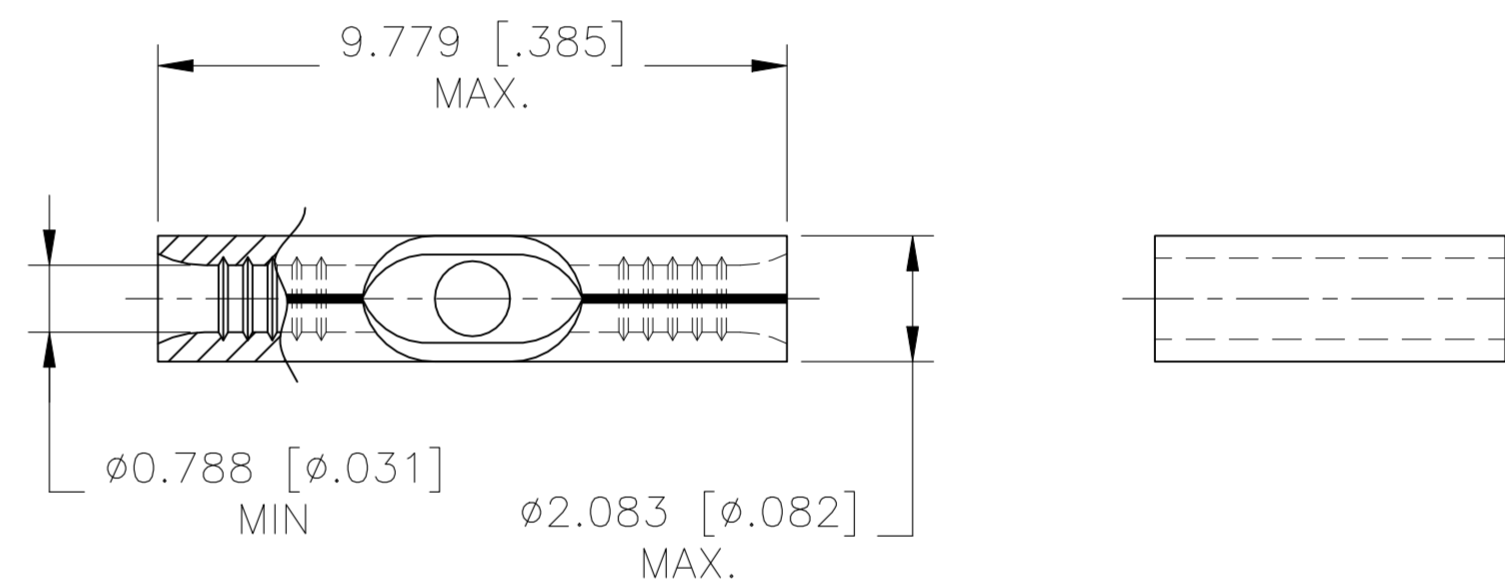
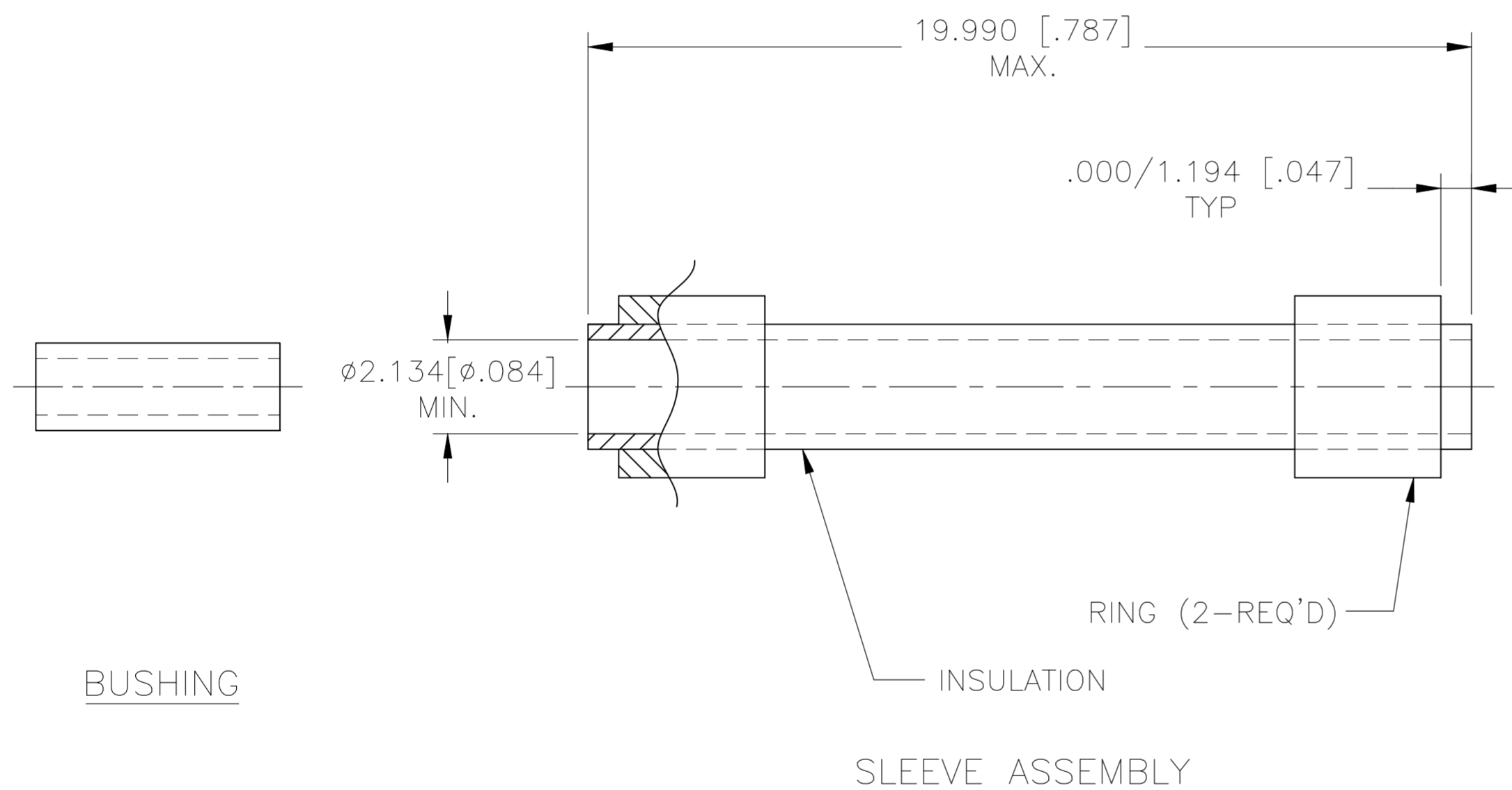
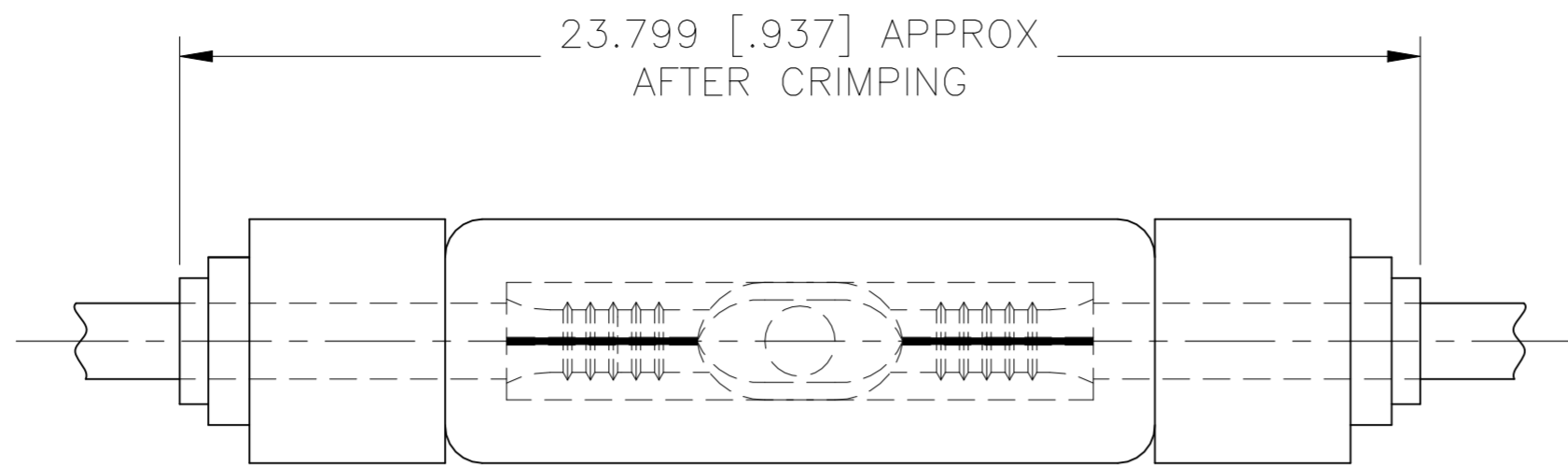


REVISIONS					
P	LTR	DESCRIPTION	DATE	DWN	APVD
C2		ECR-22-138429	20MAY2022	LP	DSC



FOR 1.016[.040] TO 1.270[.050] WIRE INSULATION DIA.

50	LOOSE PIECE	324370
QTY	PACKAGE TYPE	PART NUMBER

2	BUSHING	MATERIAL: PTFE PER ASTM D4895, FINISH COLOR: NATURAL
1	WIRE SPLICE 324369	MATERIAL: COPPER PER ASTM B152, ANNEALED FINISH: GOLD PLATE 0.00127[.00005] MIN EXT THK PER ASTM B488 TYPE 1, CODE C OVER NICKEL PLATE 0.00127[.00005] MIN EXT THK PER SAE-AMS-QQ-N-290 OVER CU FLASH PER SAE AMS2418
1	SLEEVE ASS'Y	INSULATION: MATERIAL: PTFE PER ASTM D4895, FINISH COLOR: NATURAL RING: MATERIAL: ALUMINUM PER SAE-AMS-QQ-A-250/1, FINISH COLOR: YELLOW
QTY	DESCRIPTION	MATERIAL & FINISH

THIS DRAWING IS A CONTROLLED DOCUMENT.		DWN LINGANATHAN P. 22APR2022	TE TE Connectivity	
DIMENSIONS: mm [INCHES]		CHK SUVARNA, CHETHAN D. 22APR2022		
TOLERANCES UNLESS OTHERWISE SPECIFIED:		APVD SUVARNA, CHETHAN D. 22APR2022	NAME WIRE SPLICE KIT, BUTT, POST INSULATED STRATO-THERM, WIRE SIZE: 26-24 AWG	
0 PLC ± - 1 PLC ± - 2 PLC ± - 3 PLC ± 0.127[.005] 4 PLC ± - ANGLES ± -		PRODUCT SPEC -	RESTRICTED TO -	
MATERIAL SEE TABLE		FINISH SEE TABLE	APPLICATION SPEC 114-2162	SIZE A2
		WEIGHT -	CAGE CODE 00779	DRAWING NO C-324370
CUSTOMER DRAWING			SCALE NTS	SHEET 1 OF 1
			REV C2	