

注記  
NOTE

1. 使用材料  
MATERIAL  
ハウジング HOUSING : 液晶ポリマー (LCP), ガラス充填, UL94V-0 色:黒色  
LIQUID CRYSTAL POLYMER(LCP), GLASS FILLED,UL94V-0 COLOR:BLACK  
ターミナル TERMINAL : 銅合金(τ=0.18)  
ニッケル下地 金メッキ (コンタクト、テール部)  
COPPER ALLOY(τ=0.18), GOLD PLATING(CONTACT, TAIL AREA) OVER NICKEL PLATING.  
金具 FITTING NAIL : 銅合金(τ=0.25)  
ニッケル下地 錫メッキ  
COPPER ALLOY(τ=0.25), TIN OVER NICKEL PLATING.

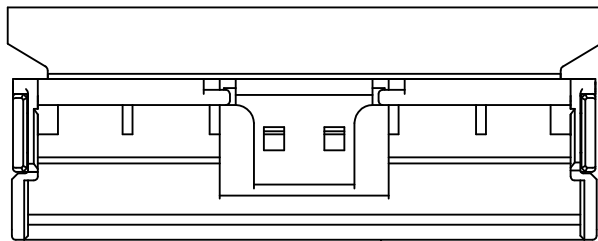
2. N=偶数に適用 (N:極数)  
APPLY FOR N-EVEN IN CIRCUIT
3. パターン剥離止め用金具  
FITTING NAIL FOR PREVENTION OF PEELING OF P.C.B. PATTERN.
4. 適合ジャケット: 501783-\*\*09  
製品詳細寸法はSD-501783-001を参照下さい。  
APPLICABLE JACKET:501783-\*\*09  
RE DETAILED DIMENSION,SEE "SD-501783-001.
5. 適合ジャケットカバー: 501784-\*\*09  
製品詳細寸法はSD-501784-001を参照下さい。  
APPLICABLE JACKET:501784-\*\*09  
RE DETAILED DIMENSION,SEE "SD-501784-001.
6. ELV及びRoHS適合品  
ELV AND ROHS COMPLIANT

参考基板レイアウト  
P.C.B. BOARD PATTERN  
DIMENSION(REF.)  
(マウント面)  
(MOUNTING SIDE)

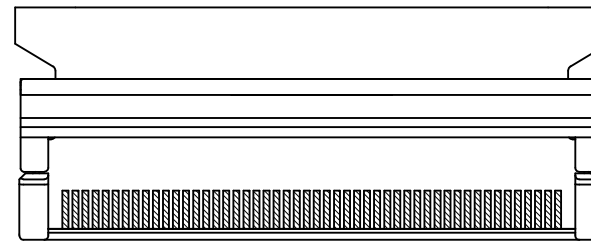
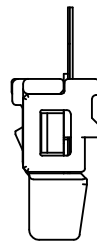
42.2	44.1	39.5	48.1	501786-8090	80
27.2	29.1	24.5	33.1	501786-5090	50
D	C	B	A	EMBOSSED PACKAGE	極数
				オーダー番号 ORDER NO.	CIRCUITS
CONNECTOR SERIES NO. 501786-**11					

REVISED EC NO: J2010-1937 DRWN: YMORI 2010/03/25 CHKD: MATSUURA 2010/03/25 APPR: KMORIKAWA 2010/05/10	DESCRIPTION	GENERAL TOLERANCES (UNLESS SPECIFIED)		DIMENSION STYLE MM ONLY		SCALE	DESIGN UNITS METRIC		THIRD ANGLE PROJECTION	
		10 UNDER	±0.2	DRAWN BY	DATE	TITLE				
		10 OVER 30 UNDER	±0.25	H. IJIMA	06/01/13	0.5 FFC TO BOARD CONN REC HSG ASSY(ST)				
		30 OVER	±0.3	CHECKED BY	DATE					
ANGULAR ±1 °		DRAFT WHERE APPLICABLE MUST REMAIN WITHIN DIMENSIONS		APPROVED BY	DATE	MOLEX INCORPORATED				
A		REV		MATERIAL NO. 501786-**11		DOCUMENT NO. SD-501786-001		SHEET NO. 1 OF 2		
SIZE A3 THIS DRAWING CONTAINS INFORMATION THAT IS PROPRIETARY TO MOLEX INCORPORATED AND SHOULD NOT BE USED WITHOUT WRITTEN PERMISSION										

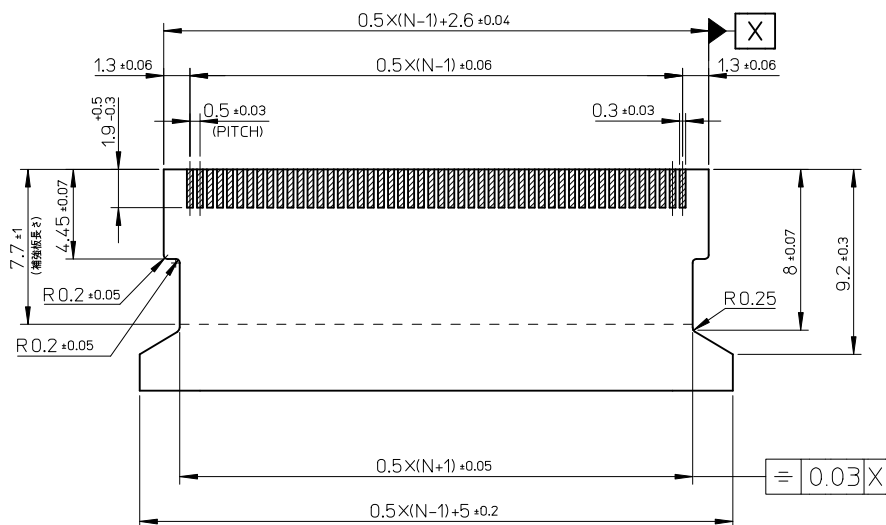
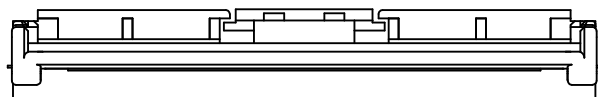
10 9 8 7 6 5 4 3 2 1



△ ジャケット  
JACKET

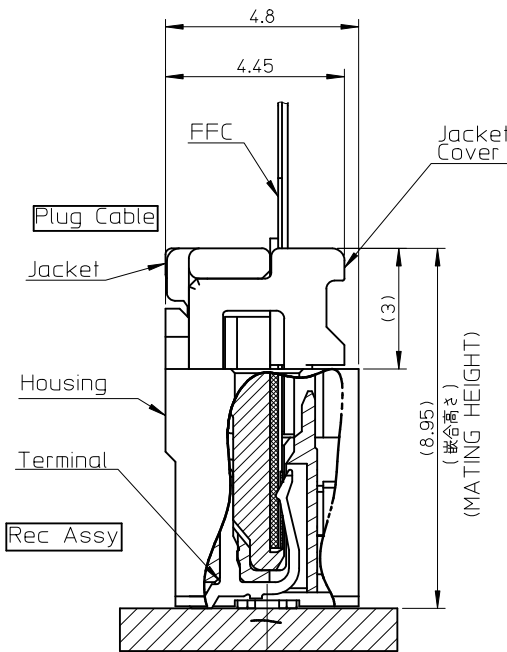


△ ジャケットカバー  
JACKET COVER



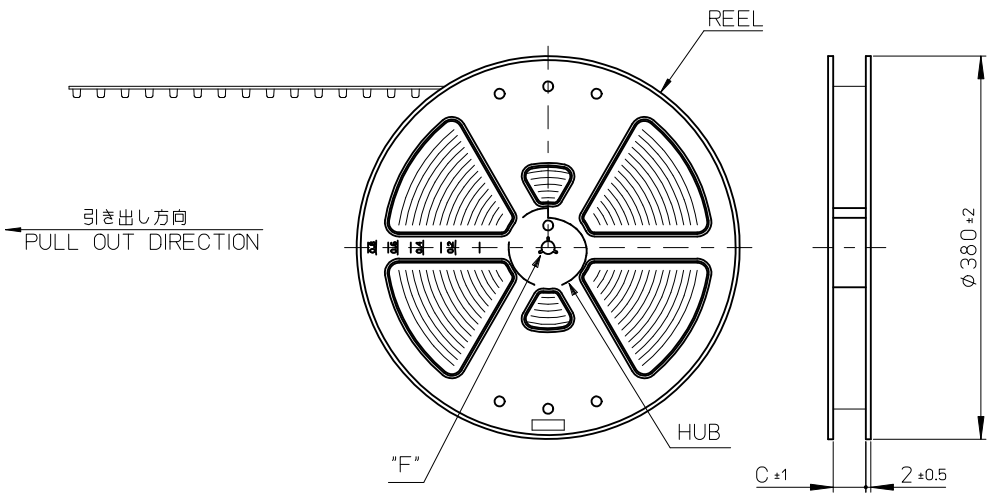
コネクタ接点部

適合FFC推奨寸法  
APPLICABLE FFC  
RECOMMENDED DIMENSION  
(仕上がり厚さ: コネクタ接点部  $0.3 \pm 0.03$ )

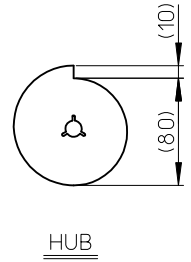
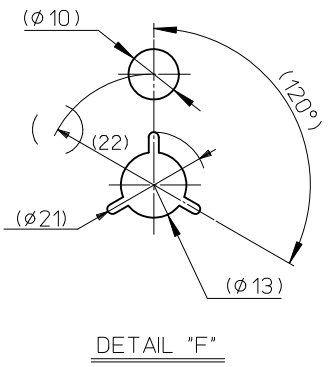


嵌合断面図

SEE SHEET 1 OF 2 EC NO: J2010-1937 DRWN: YMORI 2010/03/25 CHKD: MATSUURA 2010/03/25 APPR: KMORIKAWA 2010/05/10	GENERAL TOLERANCES (UNLESS SPECIFIED)		DIMENSION STYLE MM ONLY	SCALE 1/1	DESIGN UNITS METRIC	THIRD ANGLE PROJECTION
	10 UNDER	± 0.2	DRAWN BY H. IJIMA	DATE 06/01/13	TITLE 0.5 FFC TO BOARD CONN REC HSG ASSY(ST)	
	10 OVER 30 UNDER	± 0.25	CHECKED BY K. TAKAHASHI	DATE 06/01/13	MOLEX INCORPORATED	
	30 OVER	± 0.3	APPROVED BY H. HIRATA	DATE 06/01/13	MATERIAL NO. 501786-**11	DOCUMENT NO. SD-501786-001
A	REV	DESCRIPTION ANGULAR ±1 ° DRAFT WHERE APPLICABLE MUST REMAIN WITHIN DIMENSIONS	SIZE A3	THIS DRAWING CONTAINS INFORMATION THAT IS PROPRIETARY TO MOLEX INCORPORATED AND SHOULD NOT BE USED WITHOUT WRITTEN PERMISSION		

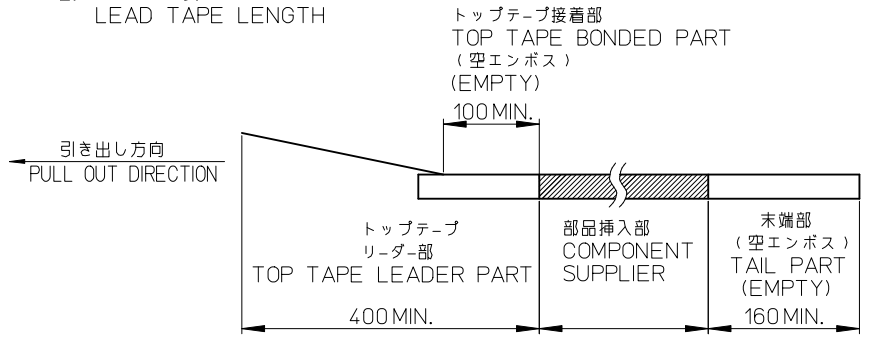


引き出し方向  
PULL OUT DIRECTION

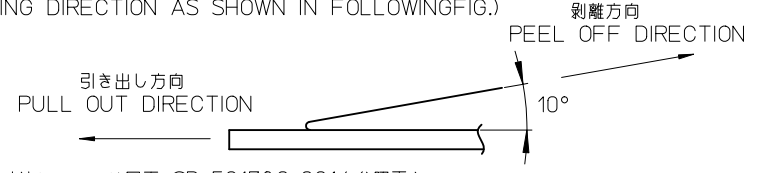


**NOTES**

- 梱包数量：900 個ノリール  
NUMBER OF CONNECTORS:900 PCS/REEL
- リードテープ長さ  
LEAD TAPE LENGTH

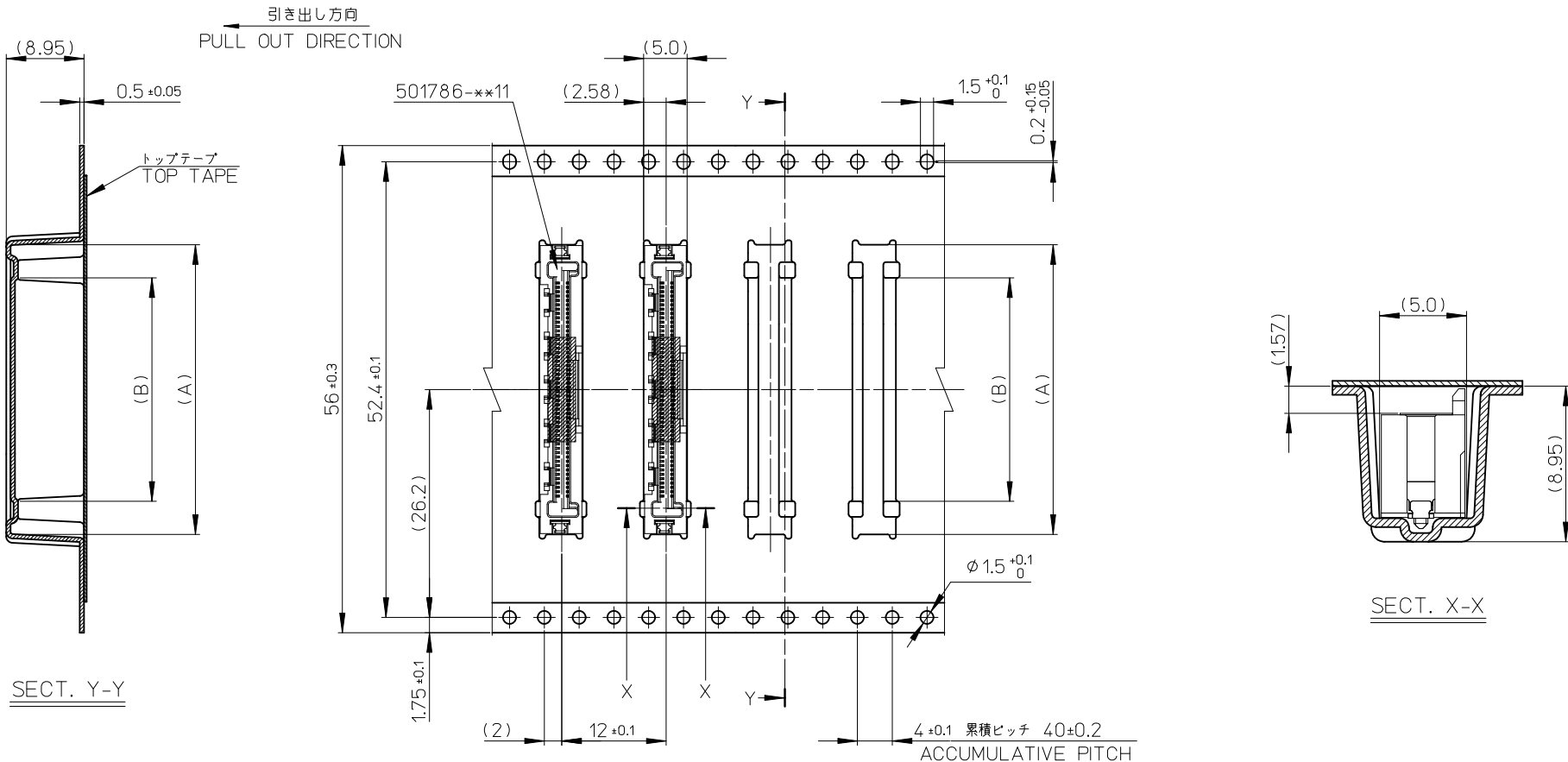


- トップテープの剥離強度：0.1~1.27N(10~130gf)  
(剥離方向は下図参照)  
剥離速度：300mm/MIN.(参考)  
PEEL-OFF FORCE OF TOP TAPE : 0.1~1.27N(10~130gf)  
(PEELING DIRECTION AS SHOWN IN FOLLOWINGFIG.)



- 製品詳細寸法については図面 SD-501786-001を参照下さい。  
RE DETAILED DIMENSION, SEE SD-501786-001.
- 材料(MATERIAL)  
キャリアテープ(CARRIER TAPE)：ポリスチレン(POLYSTYRENE)  
トップテープ(TOP TAPE)：PET, PE, PE  
リール(REEL)：ポリスチレン(POLYSTYRENE)<リサイクル材を含む>  
<RECYCLE MATERILAL CONTAINED>
- ELV及びRoHS適合品  
ELV AND RoHS COMPLIANT

REVISED EC NO: J2010-1937 DRWN:YMORI 2010/03/25 CHKD:MATSUURA 2010/03/25 APPR:KMORIKAWA 2010/05/10	DESCRIPTION A	GENERAL TOLERANCES (UNLESS SPECIFIED)		DIMENSION STYLE MM ONLY		SCALE ---	DESIGN UNITS METRIC	THIRD ANGLE PROJECTION		
		10 UNDER	±0.2	DRAWN BY H. IIJIMA	DATE 06/01/17	TITLE EMBSTP PKG FOR 0.5 FFC TO BOARD ST TYPE				
		10 OVER 30 UNDER	±0.25	CHECKED BY K. TAKAHASHI	DATE 06/01/17	MOLEX INCORPORATED				
		30 OVER	±0.3	APPROVED BY H. HIRATA	DATE 06/01/17	DOCUMENT NO. SD-501786-002				
		ANGULAR	±3 °	MATERIAL NO. 501786-***90	SHEET NO. 1 OF 2					
		DRAFT WHERE APPLICABLE MUST REMAIN WITHIN DIMENSIONS		THIS DRAWING CONTAINS INFORMATION THAT IS PROPRIETARY TO MOLEX INCORPORATED AND SHOULD NOT BE USED WITHOUT WRITTEN PERMISSION						



56mm幅キャリアテープ  
56mm WIDTH CARRIER TAPE

56	57.4	25.68	33.3	501786-5090	50
キャリアテープ幅 CARRIER TAPE WIDTH	C	B	A	オーダー番号 ORDER NO.	種数 CKT

SEE SHEET 1 OF 2 EC NO.: J2010-1937 DRWN: YMORI 2010/03/25 CHKD: MATSUURA 2010/03/25 APPR: KMORIKAWA 2010/05/10	GENERAL TOLERANCES (UNLESS SPECIFIED)		DIMENSION STYLE MM ONLY		SCALE ---	DESIGN UNITS METRIC	THIRD ANGLE PROJECTION	
	10 UNDER ± 0.2 10 OVER 30 UNDER ± 0.25 30 OVER ± 0.3	ANGULAR ± 3 ° DRAFT WHERE APPLICABLE MUST REMAIN WITHIN DIMENSIONS	DRAWN BY H. IJIMA	DATE 06/01/17	TITLE EMBSTP PKG FOR 0.5 FFC TO BOARD ST TYPE			
			CHECKED BY K. TAKAHASHI	DATE 06/01/17	MOLEX INCORPORATED			
			APPROVED BY H. HIRATA	DATE 06/01/17	MATERIAL NO. 501786-**90	DOCUMENT NO. SD-501786-002	SHEET NO. 2 OF 2	